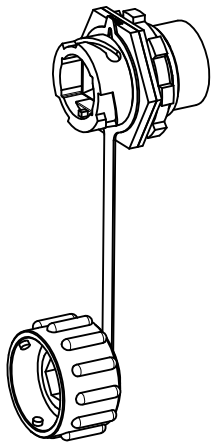
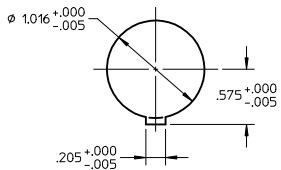


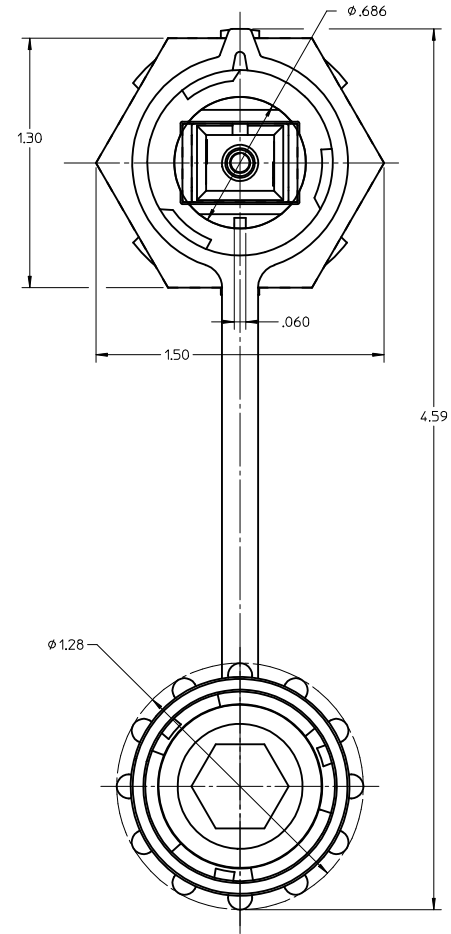
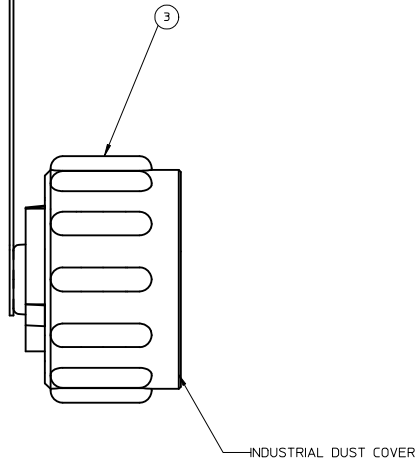
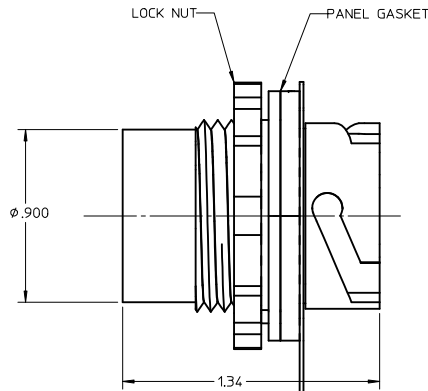
ADAPTER P/N	ADAPTER TYPE
1060592030	SINGLE MODE
1060592031	MULTIMODE
1060592032	APC



ISOMETRIC VIEWS
SCALE 1:1



RECOMMENDED MOUNTING CUTOUT
SCALE: 1:1



- NOTES:
1. ALL DIMENSIONS ARE FOR REFERENCE ONLY.
2. SC ADAPTER DUST CAPS ARE NOT SHOWN.

ENTER DESCRIPTION EC NO: MF2010-0503 DRWN: L.SADUSKIENE CHKD: APPR: BANDREJ 2010/05/13 DESCRIPTION	QUALITY SYMBOLS =0 =0	GENERAL TOLERANCES (UNLESS SPECIFIED) <table border="1"> <tr> <th></th> <th>mm</th> <th>INCH</th> </tr> <tr> <td>4 PLACES</td> <td>± .005</td> <td>± .0005</td> </tr> <tr> <td>3 PLACES</td> <td>± .003</td> <td>± .0003</td> </tr> <tr> <td>2 PLACES</td> <td>± .002</td> <td>± .0002</td> </tr> <tr> <td>1 PLACE</td> <td>± .001</td> <td>± .0001</td> </tr> </table>		mm	INCH	4 PLACES	± .005	± .0005	3 PLACES	± .003	± .0003	2 PLACES	± .002	± .0002	1 PLACE	± .001	± .0001	DIMENSION STYLE INCH ONLY DRAWN BY: D.B. DATE: 9/07/2006 CHECKED BY: _____ DATE: _____	SCALE 2:1 DESIGN UNITS INCH THIRD ANGLE PROJECTION	TITLE SC INDUSTRIAL ADAPTER
		mm	INCH																	
	4 PLACES	± .005	± .0005																	
	3 PLACES	± .003	± .0003																	
2 PLACES	± .002	± .0002																		
1 PLACE	± .001	± .0001																		
APPROVED BY I.G. DATE: 9/07/2006	MATERIAL NO. SEE TABLE	DOCUMENT NO. SD-106059-203X	SHEET NO. 1 OF 1																	
DRAFT WHERE APPLICABLE MUST REMAIN WITHIN DIMENSIONS	SIZE 	THIS DRAWING CONTAINS INFORMATION THAT IS PROPRIETARY TO MOLEX INCORPORATED AND SHOULD NOT BE USED WITHOUT WRITTEN PERMISSION																		
A2	REV	ANGULAR ±1/2°	MOLEX MOLEX INCORPORATED																	