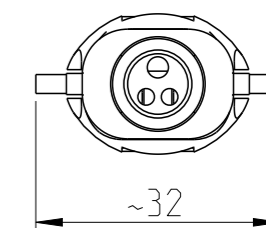
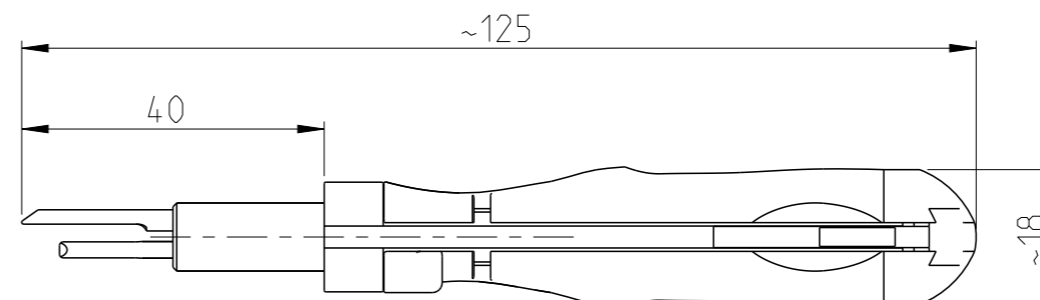
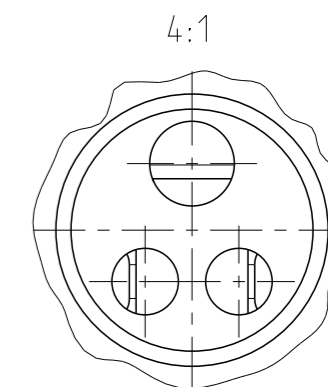
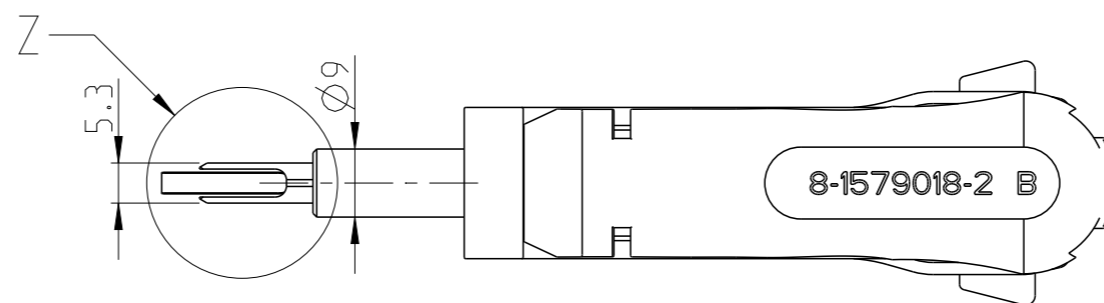
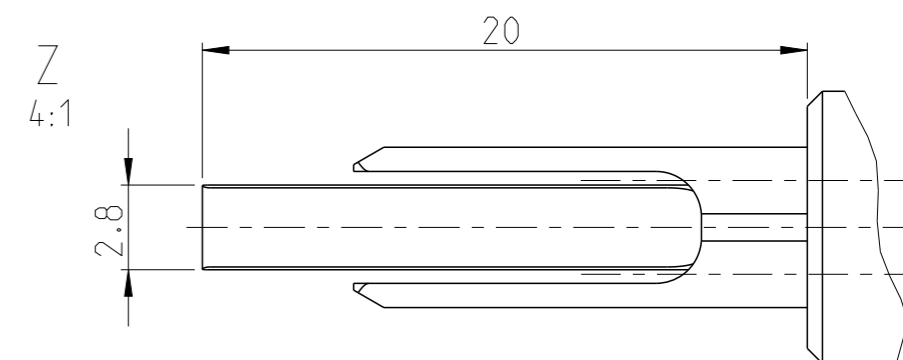
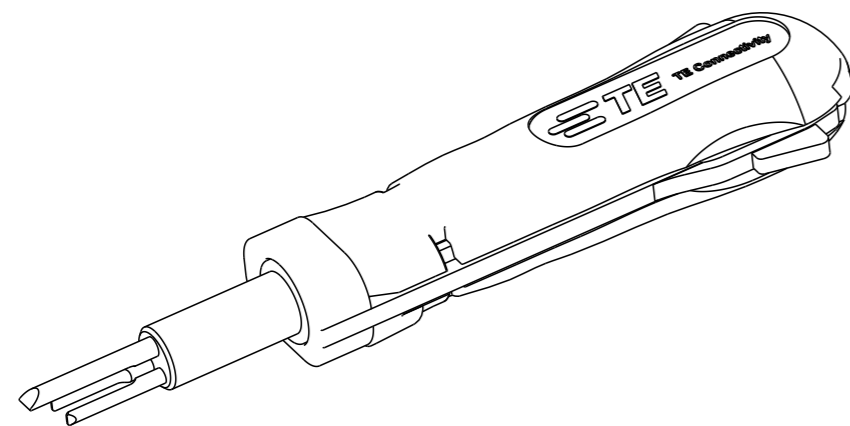



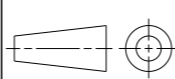
REVISIONS

P	LTR	DESCRIPTION	DATE	DWN	APVD
	B1	ECR-17-007888	01JUN2017	KH	MB
	B2	ECR-20-008954	09JUL2020	PNT	GS



APPLICATION RANGE/  
Anwendungsbereich:

MIXED HOUSING 4 Pos.: 1564975  
CONTACT MCP 4.8: 1241417-3

THIS DRAWING IS A CONTROLLED DOCUMENT.		DWN S. SAMSTAG 01JUN2010	 TE Connectivity		
DIMENSIONS: mm		CHK G. STEGMAYER 08SEP2010			
TOLERANCES UNLESS OTHERWISE SPECIFIED:		APVD G. STEGMAYER 08SEP2010	NAME EXTRACTION TOOL Entriegelungswerkzeug		
		PRODUCT SPEC	RESTRICTED TO		
MATERIAL		FINISH	SIZE A3	CAGE CODE 00779	DRAWING NO G-8-1579018-2
			WEIGHT 0.029Kg		
			CUSTOMER DRAWING	SCALE 1:1	SHEET 1 OF 1
					REV B2