

**MATERIAL AND FINISH**

Insulator: Polycarbonate, UL-94V-0 rated  
 Contacts: Brass, Nickel plated

**ELECTRICAL SPECIFICATIONS:**

Current rating: 10 A  
 Voltage rating: 250 VAC  
 Current rating: 15 A  
 Voltage rating: 250 VAC



**ORDERING CODE:**

42R03-4    2     
           1   2

**1) COLOR**

- 1 = BLACK
- 2 = GRAY

**2) ELECTRICAL CIRCUIT CONFIGURATION**

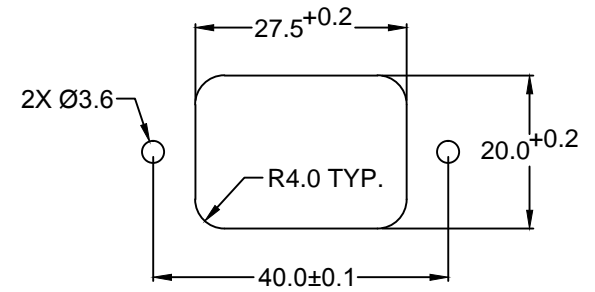
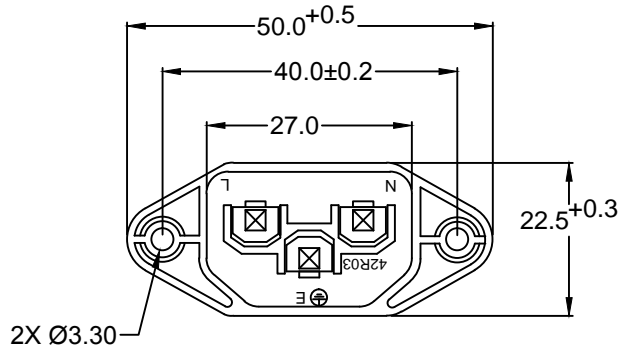
1 = 15A 250V 120°C  
 2+GROUND



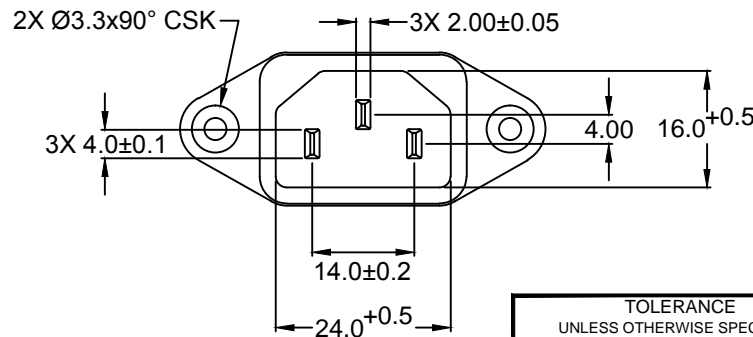
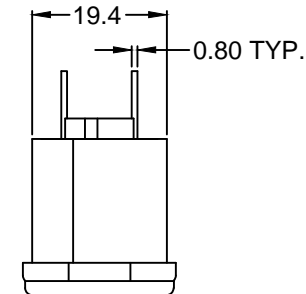
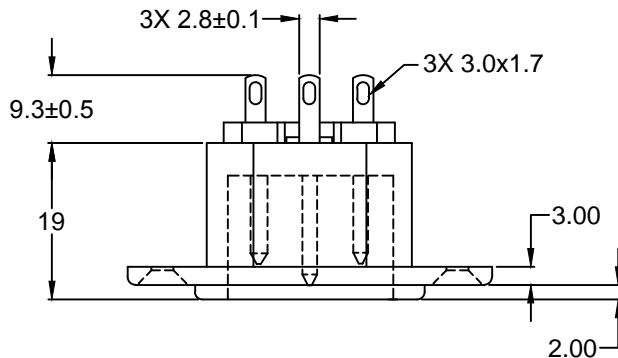
2 = 15A 250V 70°C  
 2+GROUND



4 = 15A 250V 70°C  
 2 POLE



**RECOMMENDED  
 PANEL CUTOUT**



**RoHS  
 COMPLIANT**

TOLERANCE UNLESS OTHERWISE SPECIFIED	
X	± 1
X.X	± 0.4
X.XX	± 0.20
DRAWN BY	GQ
DATE:	09/13/01
CHECK BY	TD
DATE:	09/17/01
APPR BY	PB
DATE:	09/17/01

<b>Power Dynamics, Inc.</b>	
Phone: 973 560-0019 Whippany, New Jersey Fax: 973 560-0076	
PART: IEC 60320 APPL. INLET; SOLDER TERMINALS; SIDE FLANGE	
<b>42R03-4X2X</b>	
PART #:	SHEET 1 of 1
SIZE: A	ALL DIMENSIONS FOR REFERENCE ONLY DIMENSIONS ARE IN MILLIMETERS
SCALE: NTS	
REV:	

REV	DATE	CHANGE	CHK	CHK	APPR