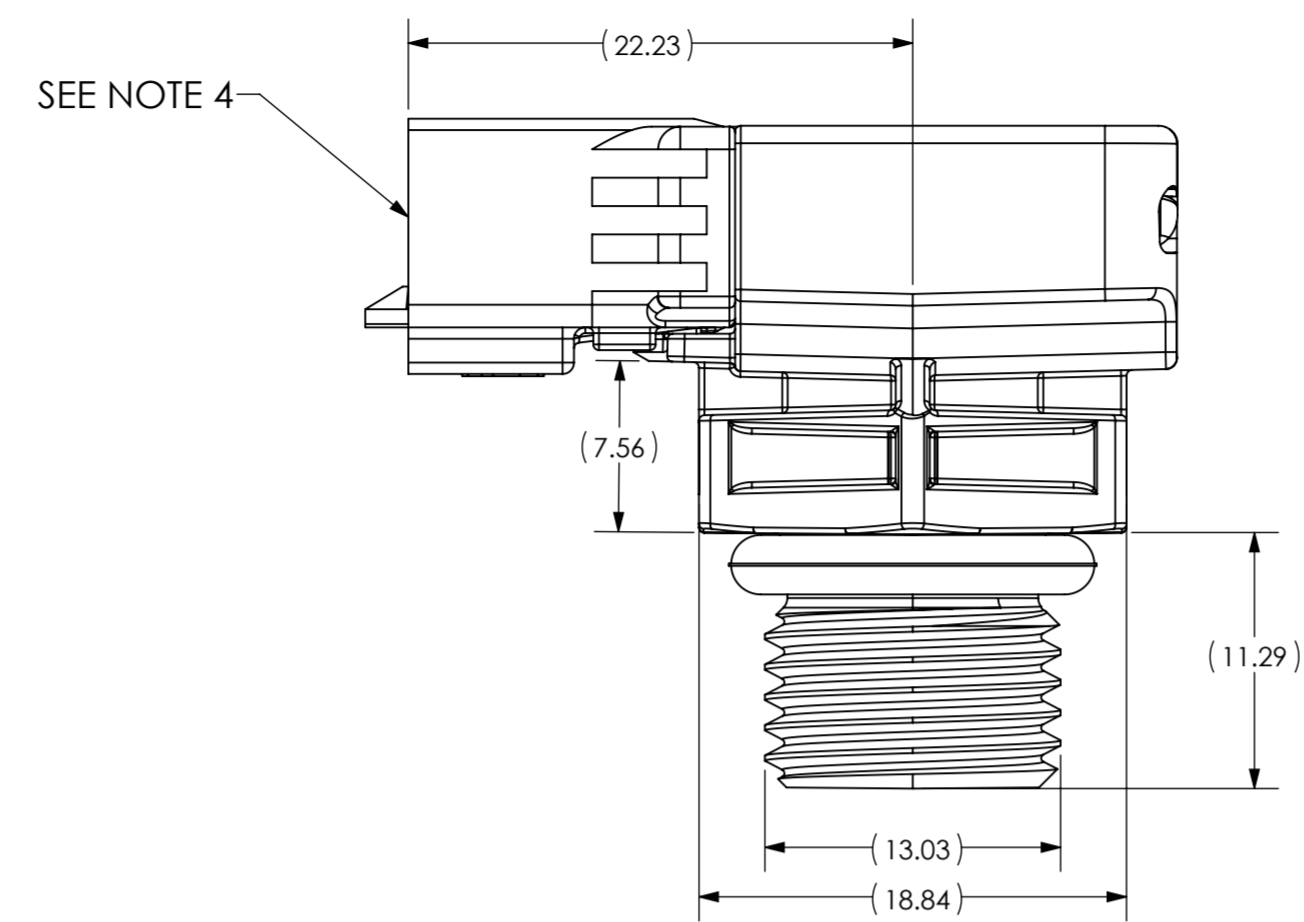
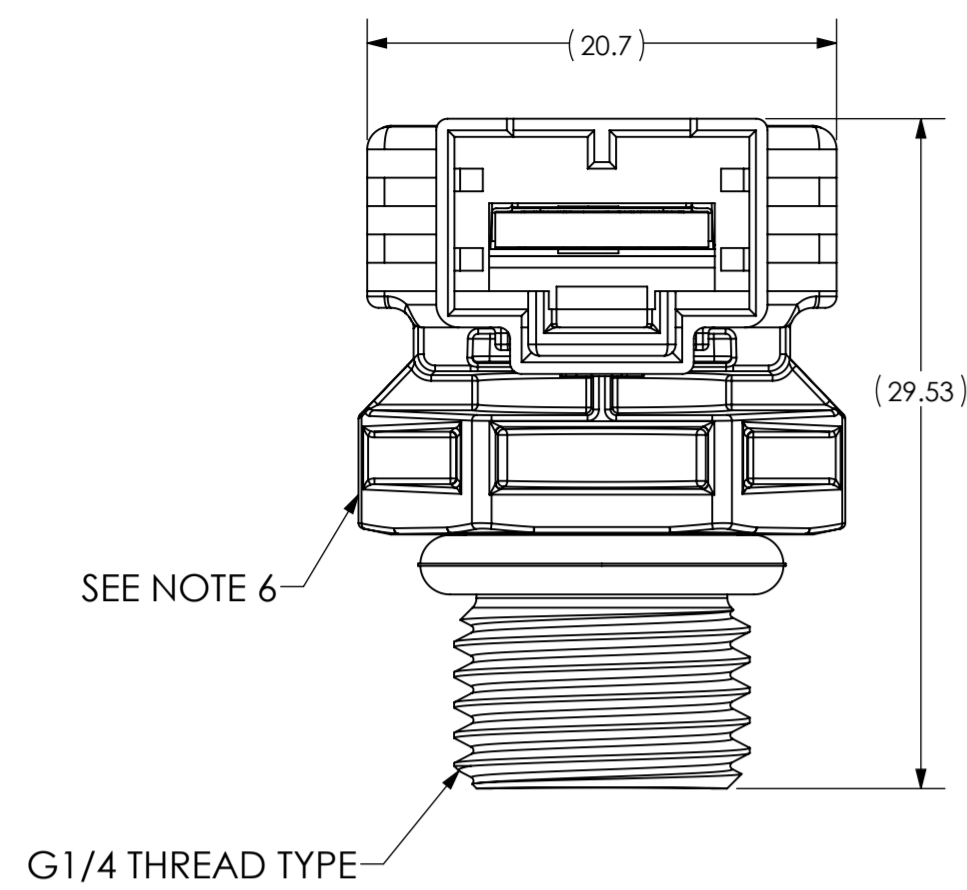
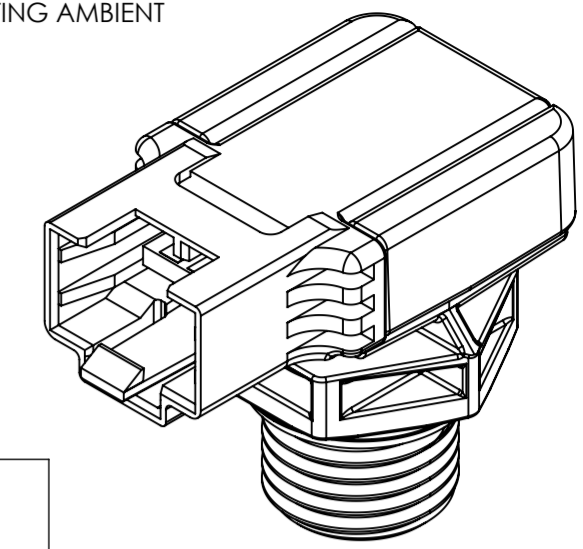


ZONE	REV.	REVISION DESCRIPTION	ECN NO.	DATE
	C	IN ENVIRONMENT TABLE, "OPERATING MEDIA TEMPERATURE RANGE" WAS "OPERATING TEMPERATURE"; IN ENVIRONMENT TABLE, ADDED ROW FOR "OPERATING AMBIENT TEMPERATURE RANGE"; JJ	ECO-271635	04-DEC-2018



### ENVIRONMENT

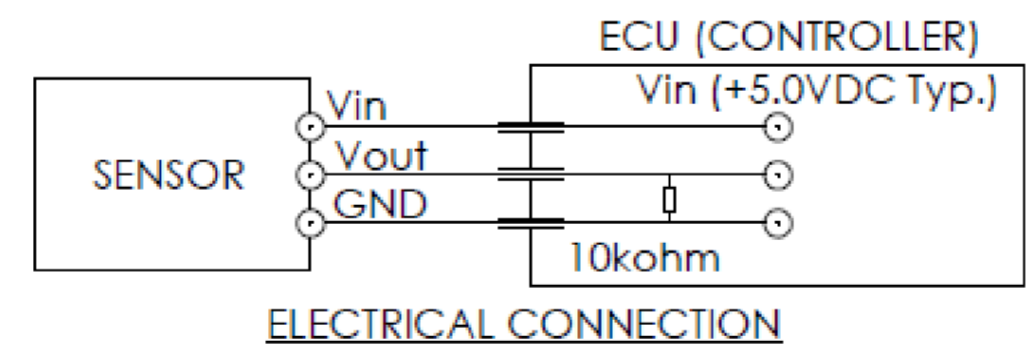
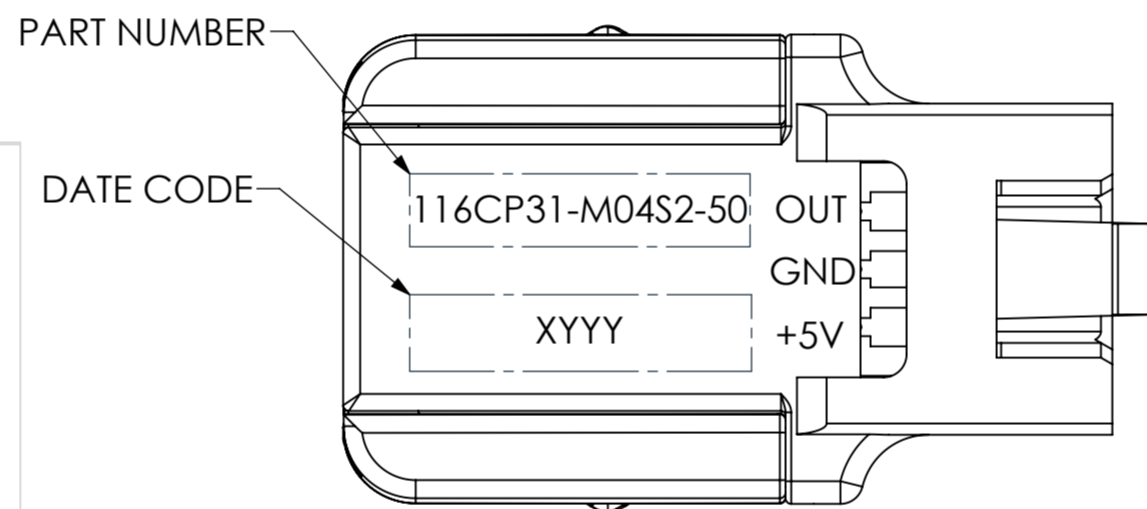
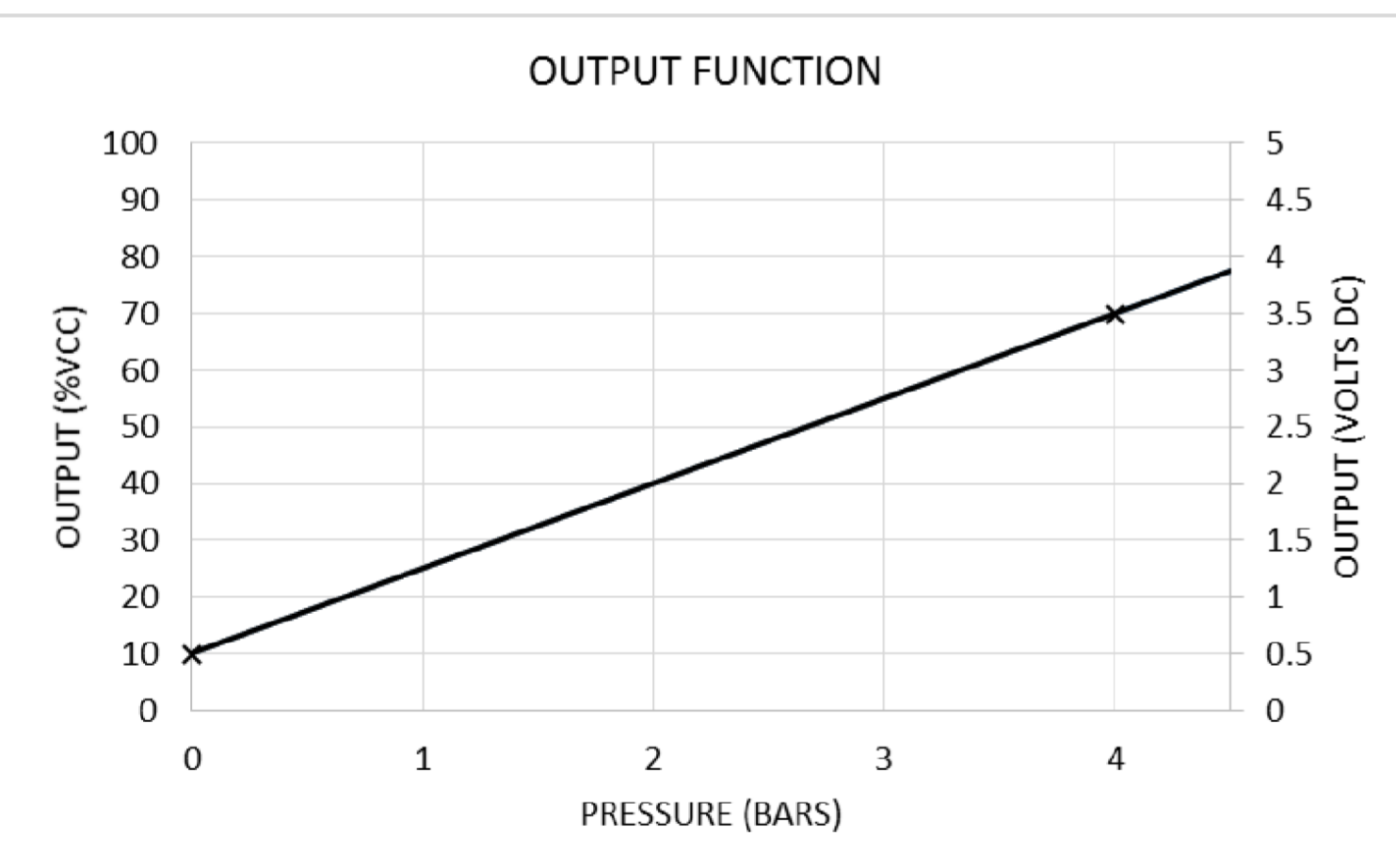
OPERATING MEDIA TEMPERATURE RANGE	2 TO 90°C
OPERATING AMBIENT TEMPERATURE RANGE	2 TO 70°C
PRESSURE RANGE	0 TO 4 BARS (SEE NOTE 1)

### MATERIAL

PACKAGE	FIBER REINFORCED PPA
SENSE ELEMENT	96% ALUMINA
PRESSURE SEAL	EPDM

### PERFORMANCE

TOTAL ERROR BAND @ 60°C	±1.5 %Vsupply (SEE NOTES 2,3)
TEMPERATURE EFFECT ON ACCURACY	±0.02 %Vsupply/°C
ACCURACY(T) = ±(1.5[%Vsupply]+ΔT[°C] X 0.02[%Vsupply/°C]), WHERE ΔT=ABS(T-60[°C])	



### NOTES:

1. BARS DENOTES SEALED GAUGE. PRESSURE REFERENCE IS 14.7 PSIA (ATMOSPHERIC PRESSURE AT SEA LEVEL). 0 TO 4 BARS IS EQUIVALENT TO 14.7 TO 72.7 PSIA
2. FS (PRESSURE) = P<sub>MAX.</sub> - P<sub>MIN.</sub> = 4 BAR  
FS (VOLTAGE) = V<sub>OUTMAX.</sub> - V<sub>OUTMIN.</sub> = 3 VDC
3. TOTAL ERROR BAND INCLUDES NONLINEARITY, HYSTERESIS AND REPEATABILITY.
4. DESIGNED TO RAST 2.5 REV 05 CONNECTOR SYSTEM.
5. DEVICE MEETS THE REQUIREMENTS OF DIRECTIVE 2011/65/EU FOR RoHS COMPLIANCE.
6. MAXIMUM INSTALL TORQUE OF 2 N-m.

### TRANSFER FUNCTION

$\%VCC = 15.00 \times \text{PRESSURE (BARS)} + 10.00$
$\%VCC = (VOUT / VIN) \times 100$
$\text{PRESSURE(BARS)} = 6.67 \times (VOUT/VIN) - 0.67$
FOR REFERENCE ONLY (VIN = 5.0V), $\text{PRESSURE(BARS)} = 1.33 \times VOUT - 0.67$

### ELECTRICAL CONNECTIONS

POWER SUPPLY VOLTAGE	5.0 ±0.25 VDC
SUPPLY CURRENT	8.0 mA MAX.
OUTPUT LOAD	10K Ohm PULL DOWN
OUTPUT VOLTAGE RANGE	0.5 TO 3.5V TYPICAL

FOR REFERENCE ONLY, CHECK LATEST REVISION BEFORE USE. PARTS MADE TO THIS PRINT MUST CONFORM TO E9898 REV. E.				529 PLEASANT STREET P.O. BOX 2964 ATTLEBORO, MA 02703	
DRAWN J. JUAN ALONSO DATE 08-NOV-2017	ENGINEER M. LERMAN DATE 08-NOV-2017	APPROVED RICARDO RAMIREZ DATE 08-NOV-2017	APPROVED BRYAN DAGUE DATE 08-NOV-2017	SENSATA TECHNOLOGIES PROPRIETARY AND CONFIDENTIAL. NEITHER THIS PRINT NOR THE INFORMATION CONTAINED HEREON IS TO BE USED AGAINST THE INTERESTS OF SENSATA TECHNOLOGIES OR AGAINST THE INTERESTS OF ANY OF ITS AFFILIATED COMPANIES OR WHOLLY OWNED SUBSIDIARIES.	TITLE BOILER PRESSURE TRANSDUCER ENVELOPE DRAWING
INTERPRET DIMENSIONING AND TOLERANCING PER ASME Y14.5-2009. UNLESS OTHERWISE SPECIFIED DIMENSIONS ARE IN MILLIMETERS. TOLERANCES DECIMALS ANGLES				SIZE A2	DWG NO. 116CP31-M04S2-50
DO NOT SCALE DRAWING		THIRD ANGLE PROJECTION		SCALE 2:1	SOLIDWORKS SHEET 1 OF 1

DEVICE: PROJECT: 1