

Plug-Relay-Compact (PRC) Complete, Consisting of base PRC... with screw connection and pluggable miniature relay PRC... with multi-layer gold contact, Mounting type: Mounting rail TS 35, 1 CO contact, Input voltage: 24 VDC

Business data

| | |
|--|------------------|
| Article number | 16128.2 |
| Article name | PRCU 1/24V DC Au |
| GTIN (EAN) | 4044211178635 |
| Packaging unit | 10 |
| Quantity unit | PC |
| Weight per piece (not including packaging) | 33.8 g |
| Weight per piece (including packaging) | 36.44 g |
| Unit of weight | G |
| Customs number | 85364900 |
| Country of origin | IT |
| Product description | Relay terminal |

Technical data

Dimensions

| | |
|----------------------------|---------|
| Length | 87.3 mm |
| Width | 6.2 mm |
| Height TS 35 / 7.5 with BA | 7.99 mm |

Ratings

| | |
|----------------------|----------|
| Rated voltage Un | 24 VDC - |
| Overvoltage category | III |
| Contamination degree | 3 |

Connection data

| | |
|--|---------------------|
| Connection principle | Screw connection |
| Wire cross-section single core (rigid), min. | 0.2 mm ² |
| Wire cross-section single-core (rigid), max. | 2.5 mm ² |
| Wire cross-section stranded, min. | 0.2 mm ² |
| Wire cross-section stranded, max. | 2.5 mm ² |
| Stripping length | 10 mm |
| Torque | 0.5 Nm |

Input data

| | |
|-------------------|-------------|
| Holding current | 0,4 Un - |
| Drop-out voltage | 0,05 Un |
| Operating range | 16,8-36 VDC |
| Power consumption | 0,17 W |

Output data

| | |
|---|--------------------|
| Switching voltage / switching voltage max. | 250 / 400 VAC |
| Continuous current max. / Inrush current max. | 6 / 10 A |
| Contact configuration | 1 CO contact |
| Switching capacity, max. | 1500 VA |
| Electrical lifespan (AC1) | 60x10 ³ |
| Mechanical lifespan | 10x10 ⁷ |
| Contact load, min. | 50 mW |
| Bounce time at close of the NO/NC contact | 3/8 ms |

Technical data

Materials

| | |
|---------------------------|-----------|
| Contact material | AgNi + Au |
| Flammability class UL 94 | V-0 |
| Working temperature, min. | -40 °C |
| Working temperature, max. | 70 °C |

Further technical data

| | |
|------------------------------------|-----------|
| Degree of protection | IP20 |
| Status display | ✓ |
| Insulation voltage coil/contact | 4 kV |
| Free-wheel diode | ✓ |
| Response/release time | 12 / 5 ms |
| Insulation voltage contact/contact | 1 kV |
| Vibration resistance NO/NC | 10/5 g |

Environmental Product Compliance

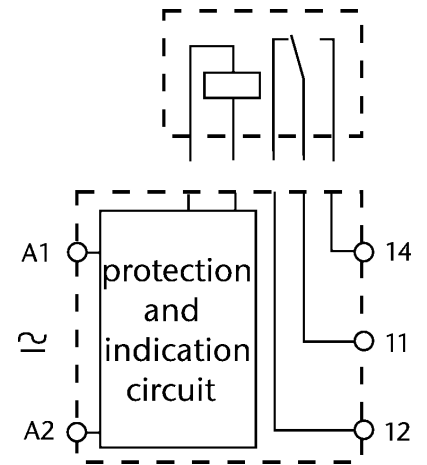
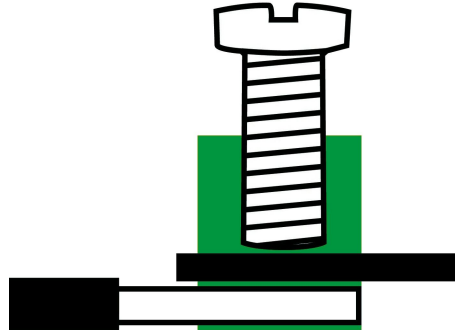
| | |
|--------------------------------|------------|
| REACH Conform | yes |
| REACH Reference date | 2023-01-17 |
| REACH Candidate Substance Note | No |
| RoHS Conform | yes |

Approvals

Standards and regulations

| | |
|----------------|------------------|
| CE compliant | yes |
| cUL approval | CSA-C22.2 No. 14 |
| UL approval | UL 508 |
| UL Recognized | 1 |
| cUL Recognized | 1 |

Media

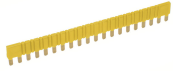


16128.2 PRCU 1/24V DC Au

Accessories

Cross-connector

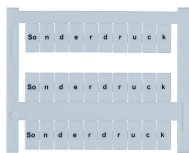
External cross-connector insulated for Plug-Relay-Compact (PRC), 20-pole, can be shortened, Voltage: 250 V, Current: 36 A



| Article number | Article name | GTIN (EAN) | Packaging unit |
|----------------|---------------|---------------|----------------|
| <u>15545.8</u> | AQI/PRC/20 YE | 4044211118440 | 1 |

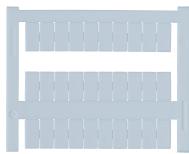
Quick marking

Terminal marker / Pocket Maxicard, Length: 12 mm, Width: 6 mm, Colour: White



| Article number | Article name | GTIN (EAN) | Packaging unit |
|----------------|---------------------|---------------|----------------|
| <u>9107.7</u> | PMC BSTR 6/30 So WH | 4044211099749 | 300 ST |

Terminal marker / Pocket Maxicard, Length: 12 mm, Width: 6 mm, Colour: White



| Article number | Article name | GTIN (EAN) | Packaging unit |
|----------------|------------------|---------------|----------------|
| <u>9106.7</u> | PMC BSTR 6/30 WH | 4044211099732 | 300 ST |

Screwdriver

Screwdriver with bare blade, Colour: Black-grey



| Article number | Article name | GTIN (EAN) | Packaging unit |
|----------------|--------------|---------------|----------------|
| <u>1086.0</u> | SDB 0,6x3,5 | 4044211014797 | 1 ST |

Relays

Plug-in miniature power relay, With multi-layer gold contact, 1 CO contact, Input voltage: 24 VDC



| Article number | Article name | GTIN (EAN) | Packaging unit |
|----------------|-----------------|---------------|----------------|
| <u>15559.2</u> | PRC 1/24V DC Au | 4044211118396 | 10 ST |

16128.2 PRCU 1/24V DC Au

Insert modules



Insertion module, Suitable for relay socket base PRS, LED red status display, With free-wheel diode

| Article number | Article name | GTIN (EAN) | Packaging unit |
|----------------|--------------------|---------------|----------------|
| <u>15141.2</u> | PRS LED(RD) 24V DC | 4044211046231 | 1 ST |

Partition plate



Partition plate for Plug-Relay-Compact (PRC) for separating relay blocks, width: 1.5 mm

| Article number | Article name | GTIN (EAN) | Packaging unit |
|----------------|--------------|---------------|----------------|
| <u>15546.2</u> | TW/PRC GR | 4044211118457 | 1 ST |