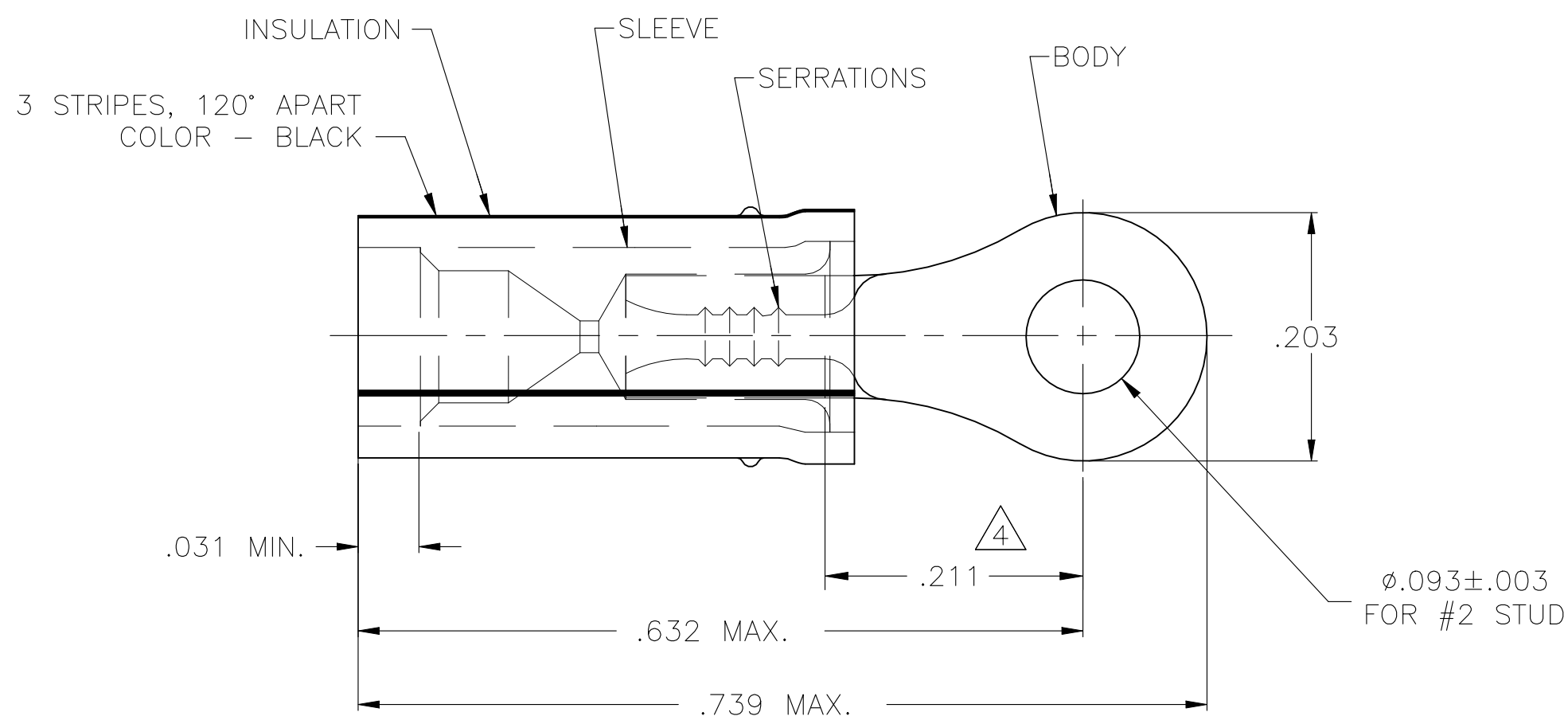


© - TE Connectivity. All Rights Reserved.

REVISIONS				
P	LTR	DESCRIPTION	DATE	APVD
	G1	REVISED PER ECN-22-156403	03JUN2022	RK CSD

AMP
WIRE RANGE

26 AWG
STRANDED



- 1 TONGUE MATERIAL THK: .027±.001.
- 2 FOR .026 TO .055 WIRE INS. OD.
- 3 MUST BE CRIMPED WITH 22-18 OR 22-16 PIDG (RED)TOOL.
- △4 APPLIED FROM EDGE OF METAL WIRE BARREL TO CENTER OF STUD HOLE.
- △5 BODY & SLEEVE: CU PER ASTM B152 INSULATION: NYLON, COLOR - YELLOW.
- △6 BODY: TIN PLATE PER ASTM B545 SLEEVE: NI PLATE PER QQ-N-290.

M7928/1-1 CLASS 1	1	WIRE TERMINAL	53078
MILITARY P/N AND CLASS	QTY	PACKAGE TYPE	PART NO

AMP INCORPORATED CUSTOMER SERVICE SYSTEMS		MAX RECOMMENDED OPERATING TEMPERATURE: 105°C [221°F]
FOR ADDITIONAL PRODUCT INFORMATION OR COPIES OF DRAWINGS AND TECHNICAL DOCUMENTS	PRODUCT INFORMATION CENTER 1-800-522-6752	VOLTAGE RATING: 300V MAX
FOR APPLICATION TOOLING INFORMATION	TOOLING ASSISTANCE CENTER 1-800-722-1111	CIRCULAR MIL AREA: 0.12-0.15mm² [238-304] STRANDED
FOR ORDER ENTRY	1-800-526-5142	

THIS DRAWING IS A CONTROLLED DOCUMENT.

DIMENSIONS: INCHES	TOLERANCES UNLESS OTHERWISE SPECIFIED:
	0 PLC ± -
	1 PLC ± -
	2 PLC ± .008
	3 PLC ± -
	4 PLC ± -
	ANGLES ± -
MATERIAL	FINISH
△5	△6

DWN JR RUTH 28OCT08	STE TE Connectivity	NAME		TERMINAL, PIDG, RING TONGUE, INSULATION RESTRICTING WIRE SIZE: 26	
CHK TOM MICHIELUTTI 28OCT08		APVD TOM MICHIELUTTI 28OCT08			
PRODUCT SPEC		APPLICATION SPEC			
WEIGHT		SIZE	CAGE CODE		DRAWING NO
CUSTOMER DRAWING		A3	00779	C-53078	SCALE 8:1 SHEET 1 OF 1 REV G1