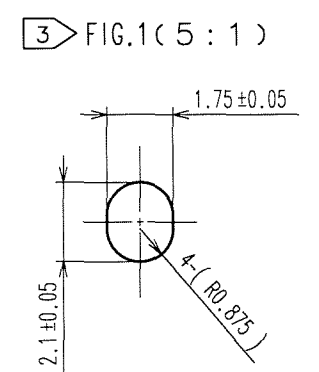
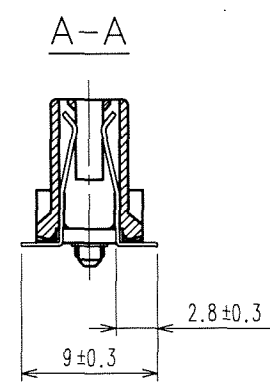
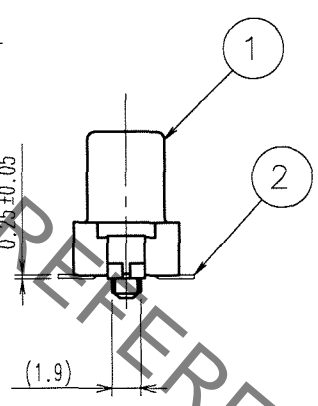
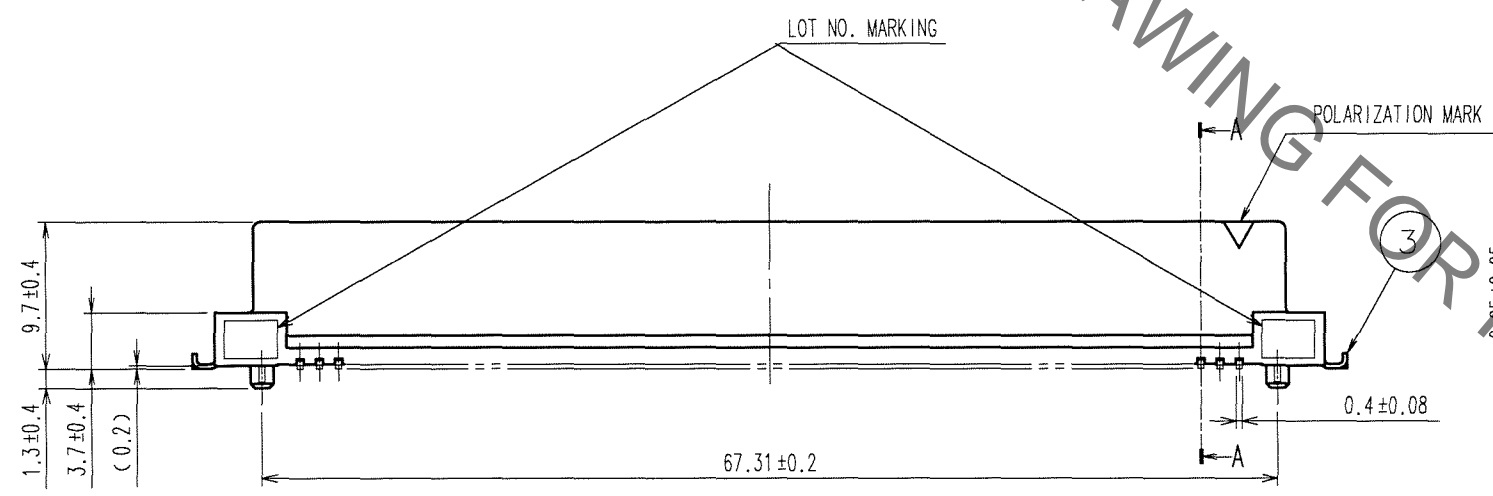
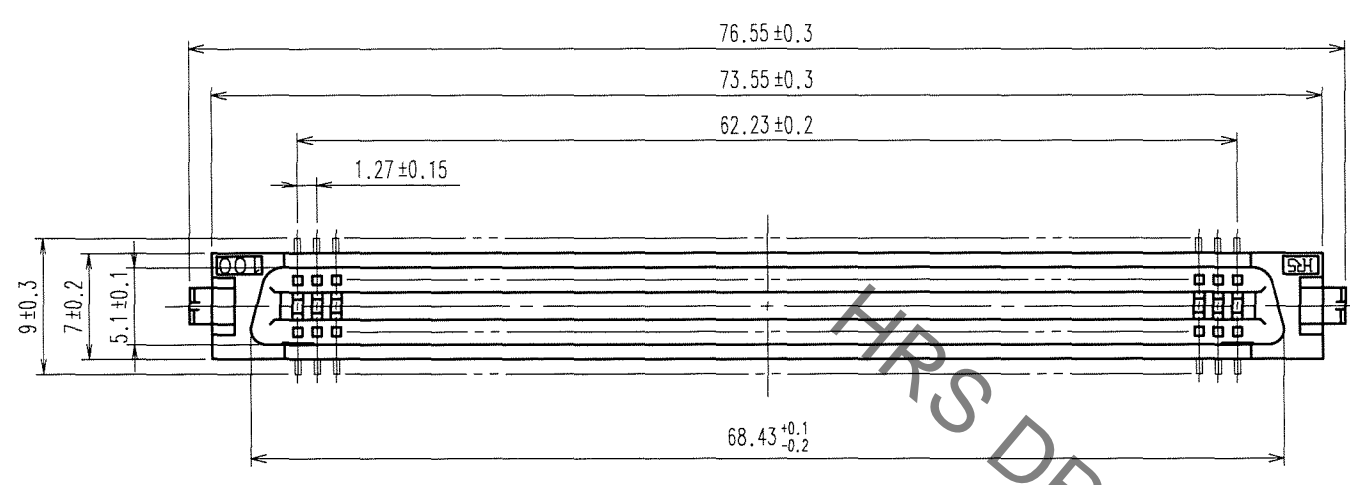
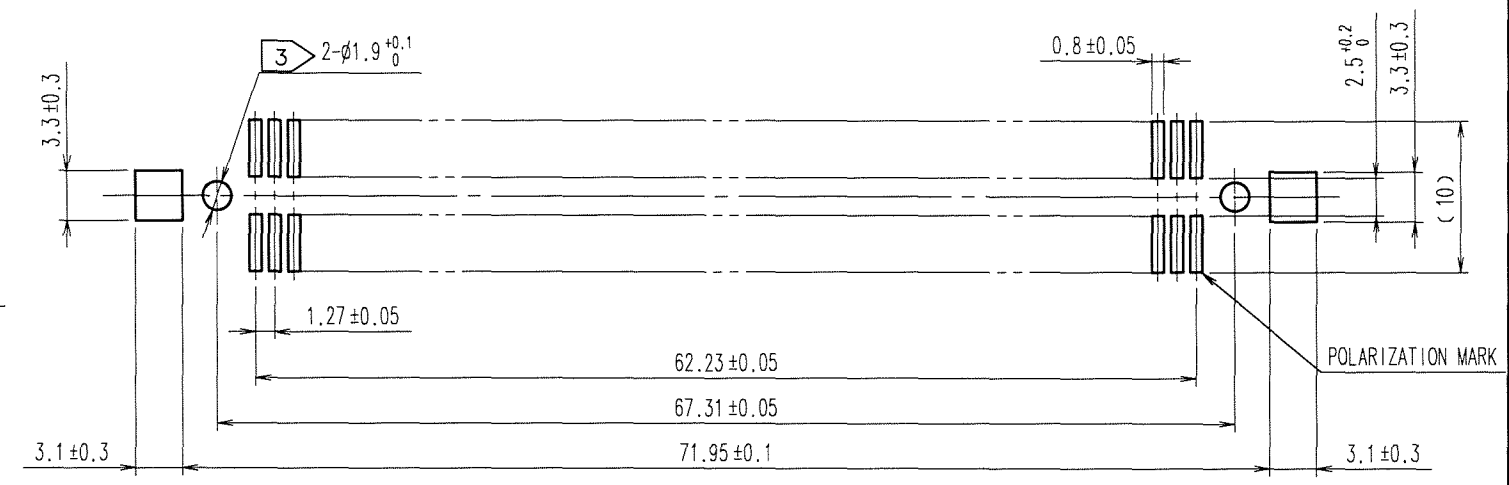


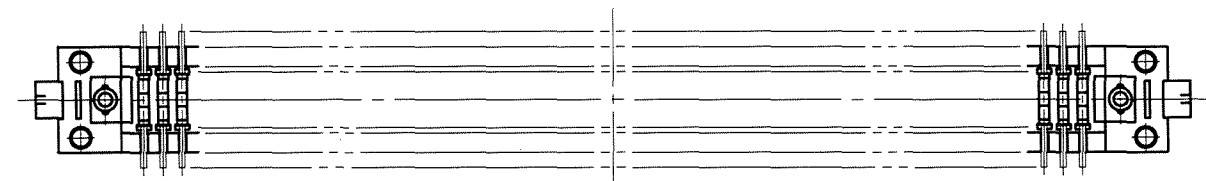
May.1.2023 Copyright 2023 HIROSE ELECTRIC CO., LTD. All Rights Reserved.
In case of consideration for using Automotive equipment / device which demand high reliability, kindly contact our sales window correspondents.

COUNT	DESCRIPTION OF REVISIONS	BY	CHKD	DATE	COUNT	DESCRIPTION OF REVISIONS	BY	CHKD	DATE
△					△				
△					△				
△					△				

RECOMMENDED LAND PATTERN DIMENSION OF PCB (MOUNTING SIDE)



- NOTES
- LEAD CO-PLANARITY SHALL BE 0.15 MAX.
 - THE DIMENSIONS IN PARENTHESES ARE FOR REFERENCE.
 - IN CASE OF THE AUTOMATED MOUNTING, RECOMMENDED HOLE DIAMETER OF BOSS IS SHOWN IN FIG.1.



1	PPS	LIGHT BROWN (UL94V-0)	3	BRASS	TIN-PLATING
			2	PHOSPHOR BRONZE	CONTACT AREA:GOLD 0.2μ m min.
					LEAD AREA:TIN-PLATING 2μ m min.
					UNDER PLATING:NICKEL 1.5μ m min.
NO.	MATERIAL	FINISH, REMARKS	NO.	MATERIAL	FINISH, REMARKS

CODE NO. (OLD) CL		DRAWN S.KAMIGA '06.10.02	DESIGNED H. Nakamura '06.10.02	CHECKED H. Ogawa '06.10.02	APPROVED H. Okawa '06.10.02	RELEASED ..
DRAWING NO. EDC3-082425-21			PART NO. FX2-100S-1.27SVL(71)			
SCALE 2 : 1			CODE NO. CL572-2158-0-71			
UNITS mm			HIROSE ELECTRIC CO., LTD			

TO
PCK

1/1