

MADE IN THE USA

Product Description:

- Epinephrine Injector Dispenser - 10
- Holds up to 10 Epinephrine injectors
- Dual-sided clear PETG plastic divider for identification signage
- Tabs on front for lock placement
- Keyholes for wall mounting
- Yellow Sintra Plastic and Clear PETG Plastic

Primary Area for Product Usage:

- Anywhere Epinephrine injector organizers are needed

Dispenses:

- Epinephrine auto injectors for anaphylactic emergencies (injectors not included)

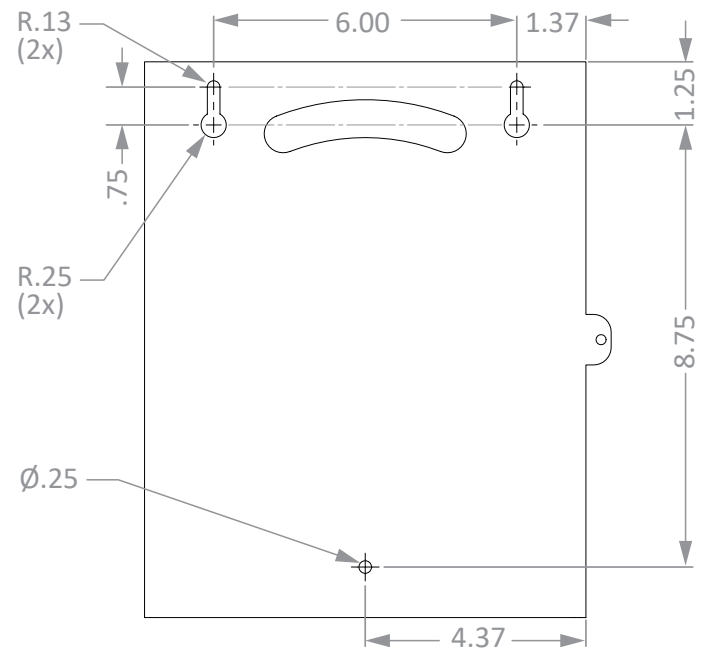
Package Specifications:

- Package Quantity: 1 per case
- 16"W x 12"H x 12"D (40.6 cm x 30.5 cm x 30.5 cm)
- 5 lbs (2.3 kg) - approximated

Product Specifications (overall external dimensions):

- 9.49"W x 11.19"H x 4.65"D (24.1 cm x 28.4 cm x 11.8 cm)
- 2.4 lbs (1.1 kg) - approximated

Mounting Specifications:



Related Products (each sold separately):

- ED-750: Epinephrine Injector Dispenser - 5 (shown below)

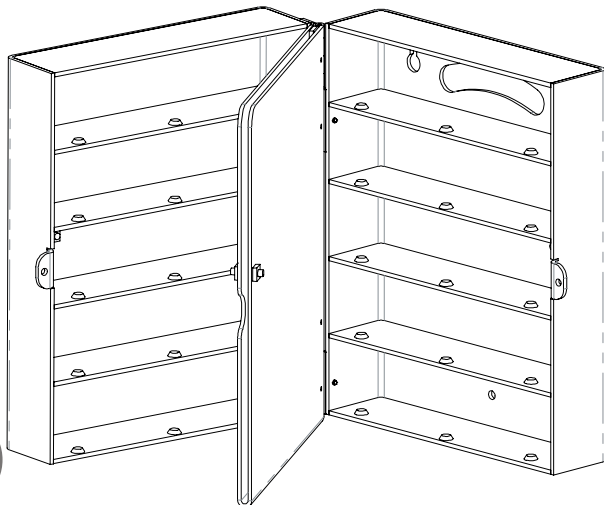




Installation

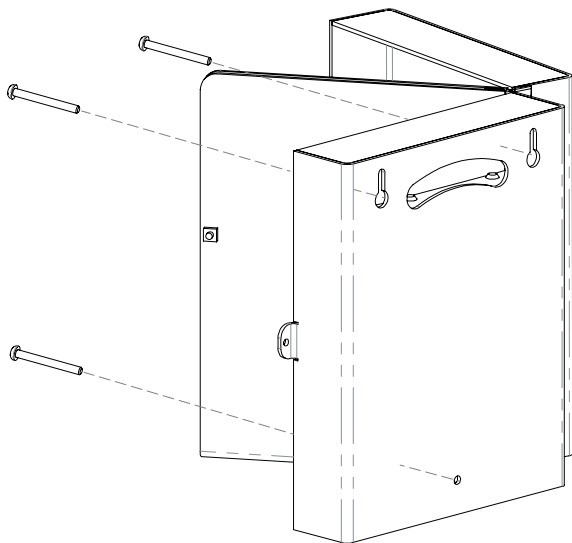
Always mount dispensers securely *prior* to loading with product.

- Interior divider holds signage to indicate each recipient's information.
- Includes a cutout in the back for hand carrying.



1

- Mount securely to a wall with screws approved and supplied by building maintenance.



2

Parts included:

- Dispenser

Tools Required:

- No tools required to assemble dispenser

Care and Construction

Sintra® Plastic

Material Characteristics

Designed for Long-Term Applications

Sintra® plastic is a lightweight, yet rigid, board of moderately expanded closed-cell polyvinyl chloride (PVC). It is dent resistant and provides an excellent combination of rigidity and durability.

Sintra® has a high strength-to-weight ratio and offers excellent corrosion, dent, and scratch resistance. Its resistance to moisture makes it an excellent choice for locations prone to high humidity. Products constructed of Sintra® should not be located in areas subject to high temperatures (above 140° F).

The surface of Sintra® has a low gloss, matte finish.

Care and Cleaning

Sintra® can be wiped clean with a mild cleaner or soap and lukewarm water. Isopropyl alcohol is recommended to remove grease or oil. Ammonia and acetone should not be used.

Standard hospital cleaning supplies are approved for use on our Sintra® products.

PETG Plastic

Material Characteristics

Designed for Long-Term, Heavy-Duty Applications

Copolyester resin is designed for heavy-duty applications, and is used by BOWMAN® Dispensers. We never use acrylic in our products.

Copolyester (PETG) is typically 15-20 times tougher than general purpose acrylic. PETG is made to withstand handling and reduce losses due to breakage.

PETG resists a variety of chemicals and commonly used cleaning agents. It is tough and durable (not brittle), providing years of trouble-free functionality and long life.

Clear optical characteristics mean the viewer can see the content, read text, and see true colors through the material. It complies with FDA regulations for food contact.

Care and Cleaning

Most cleaning chemicals do not weaken the surface or cause damage to the material. Suggested cleaning method is to use a soft cloth, warm water, and mild soap.