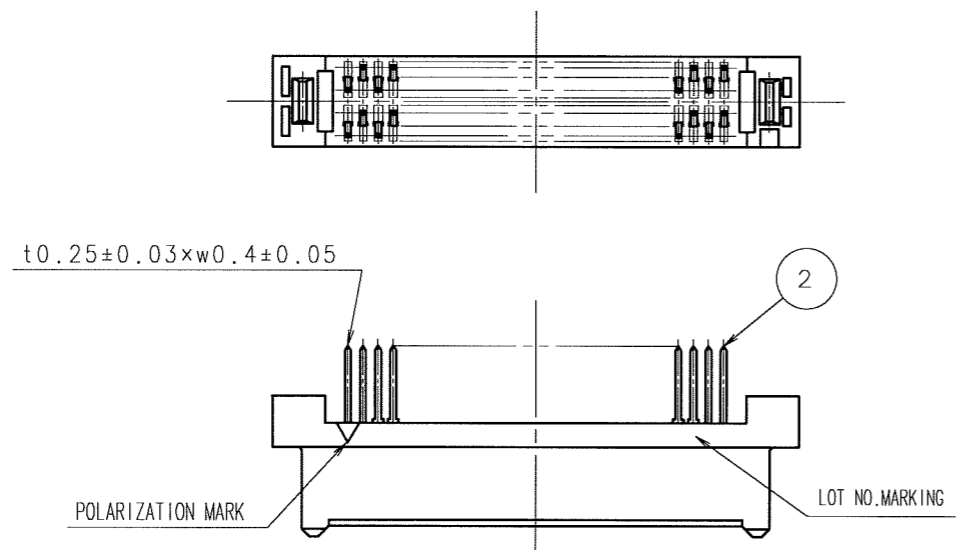
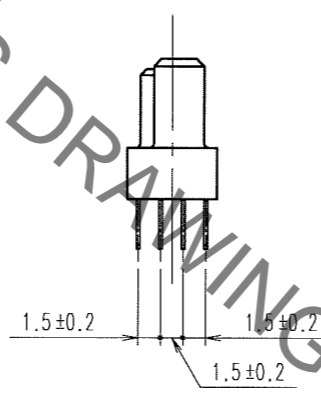
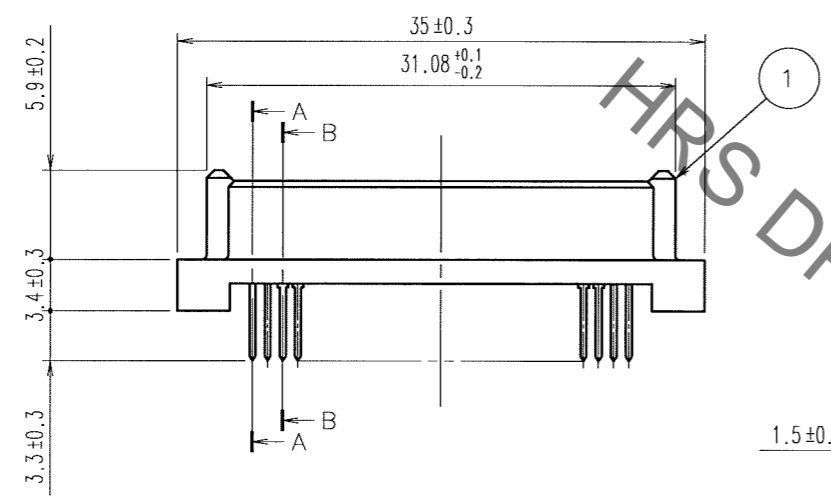
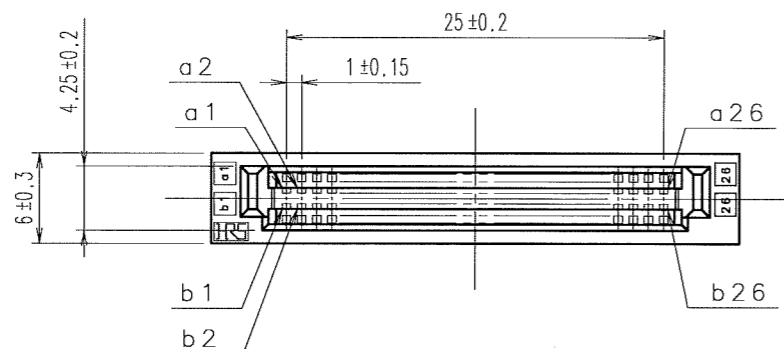


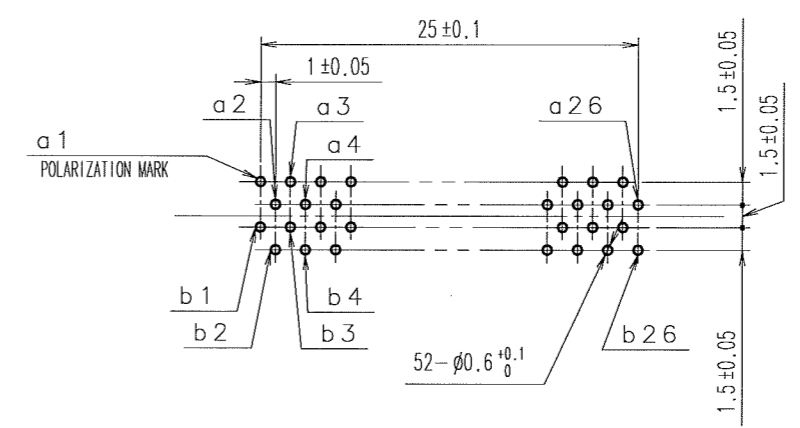
May.1.2023 Copyright 2023 HIROSE ELECTRIC CO., LTD. All Rights Reserved.
In case of consideration for using Automotive equipment / device which demand high reliability, kindly contact our sales window correspondents.

COUNT	DESCRIPTION OF REVISIONS	BY	CHKD	DATE	COUNT	DESCRIPTION OF REVISIONS	BY	CHKD	DATE



RECOMMENDED PC BOARD HOLE PATTERN (MOUNTING SIDE)

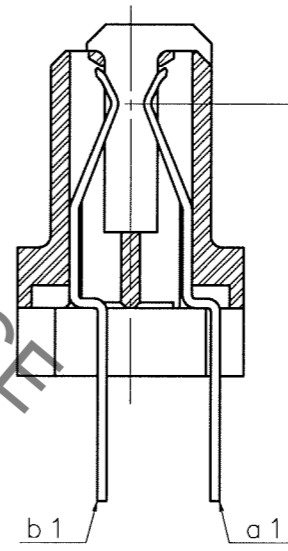
APPLICABLE BOARD THICKNESS, 1.6



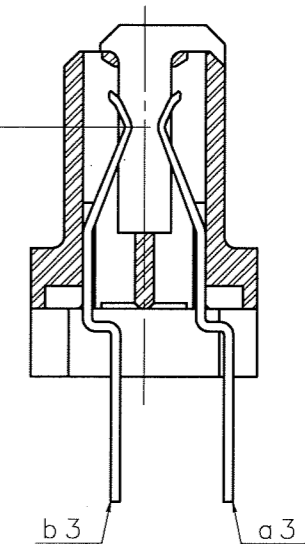
CONTACT SEQUENCE

SEQUENCE	PIN NO.
1	a1, a2, a25, a26 b1, b2, b25, b26
2	a3~a24 b3~b24

A-A (5:1)



B-B (5:1)



1	POLYAMIDE	BEIGE UL94V-0	2	PHOSPHOR BRONZE	CONTACT AREA : GOLD 0.1μm min. LEAD AREA : TIN-PLATING 1.2μm min. UNDER PLATING : NICKEL 1μm min.
NO.	MATERIAL	FINISH, REMARKS	NO.	MATERIAL	FINISH, REMARKS

CODE NO. (OLD) CL	DRAWN A. SUZUKAWA '06.06.27	DESIGNED <i>K. Nakamura</i> '06.06.27	CHECKED <i>M. Ozawa</i> '06.06.27	APPROVED <i>H. Okawa</i> '06.06.27	RELEASED ..
----------------------	-----------------------------------	---	---	--	----------------

SCALE 2 : 1	DRAWING NO. EDC3-151415-21	PART NO. FX5-52S2A-DSA(71)
UNITS mm	HRS HIROSE ELECTRIC CO., LTD	CODE NO. CL575-0106-5-71