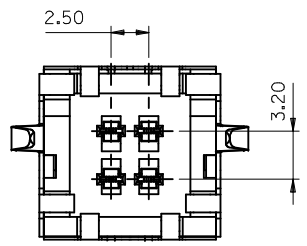
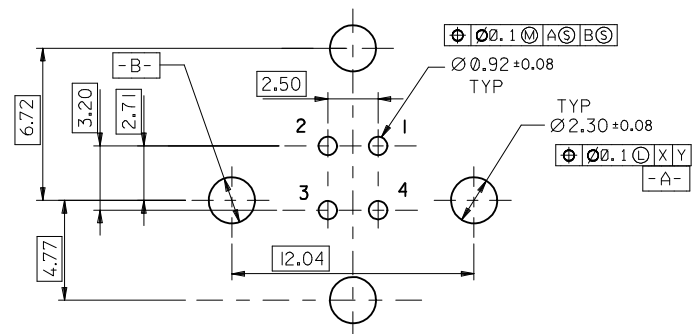
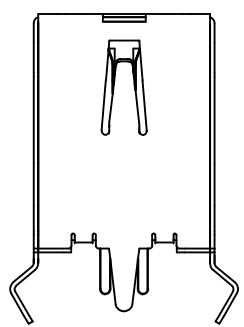
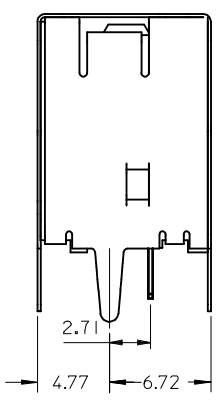
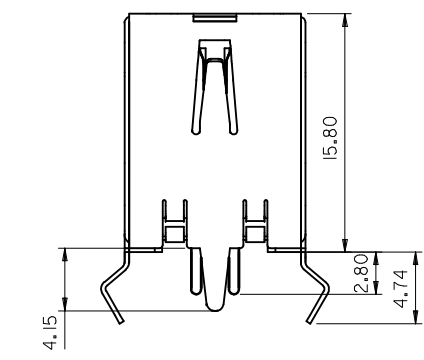


- NOTES :
- MATERIAL :  
HOUSING : POLYESTER ,UL94V-0 ,  
COLOR:BLACK, OR WHITE  
TERMINAL : PHOSPHOR BRONZE (PhBr)  
METAL SHELL : COPPER ALLOY
  - PLATING :  
TERMINAL :  
CONTACT AREA :  
(a) GOLD FLASH.  
(b) GOLD (Au), THICKNESS=30 MICROINCH /0.76 MICROMETER  
SOLDER TAIL : (a) TIN-LEAD (90/10) ALLOY  
,THICKNESS=150 MICROINCH/3.8 MICROMETER  
(b) PURE TIN PLATING,  
,THICKNESS=50 MICROINCH/1.27MICROMETER MINIMUM.  
UNDER PLATE : NICKEL (NI)  
,THICKNESS=50 MICROINCH / 1.27 MICROMETER
  - METAL SHELL :  
(a) TIN-LEAD (Sn-Pb) ALLOY  
,THICKNESS=100 MICROINCH /2.54 MICROMETER  
(b) PURE TIN PLATING,  
,THICKNESS =50 MICROINCH/1.27 MICROMETER MINIMUM.  
UNDER PLATE : NICKEL (NI)  
,THICKNESS=50 MICROINCH / 1.27 MICROMETER
  - RECOMMENDED PCB THICKNESS : 1.60±0.05mm
  - PRODUCT SPECIFICATION : REFER TO PS-67998-0000



REVISED EC NO: G DRWN:YPMU CHKD: APPR:	DESCRIPTION REV	2009/09/01	QUALITY SYMBOLS ▽=0 ◻=0		GENERAL TOLERANCES (UNLESS SPECIFIED)		DIMENSION STYLE MM ONLY		SCALE 1:1	DESIGN UNITS METRIC	THIRD ANGLE PROJECTION		
					mm	INCH	DRAWN BY SAM SHIN	DATE 1998/12/21	TITLE USB B VERTICAL CONN				
					4 PLACES	± ---	± ---	CHECKED BY VLIN	DATE 1998/12/21	MOLEX INCORPORATED			
					3 PLACES	± ---	± ---	APPROVED BY NEGA LIN	DATE 1998/12/21	DOCUMENT NO. SD-67265-002		SHEET NO. 1 OF 2	
			2 PLACES	± 0.25	± ---	DRAFT WHERE APPLICABLE MUST REMAIN WITHIN DIMENSIONS		SEE TABLE		THIS DRAWING CONTAINS INFORMATION THAT IS PROPRIETARY TO MOLEX INCORPORATED AND SHOULD NOT BE USED WITHOUT WRITTEN PERMISSION			
			1 PLACE	± 0.25	± ---								
			ANGULAR ± 3 °										

REFER TO PACKING DOC. NO. PK-67265-001 PACKING: TRAY SIZE : 360*360mm (150 PIECES)				REFER TO PACKING DOC. NO. PK-67265-001 PACKING: TRAY SIZE : 360*360mm (150 PIECES)					
P/N	COLOR	CONTACT PLATING	SHELL AND SOLDER TAIL PLATING	P/N	COLOR	CONTACT PLATING	SHELL AND SOLDER TAIL PLATING		
67265-0000	BLACK	GOLD FLASH	TIN LEAD PLATING	67265-2000	BLACK	GOLD FLASH	PURE TIN PLATING (lead-free)		
67265-0001	BLACK	0.76 MICROMETER/30 MICROINCH GOLD		67265-2001	BLACK	0.76 MICROMETER/30 MICROINCH GOLD			
67265-1000	WHITE	GOLD FLASH		67265-3000	WHITE	GOLD FLASH			
67265-1001	WHITE	0.76 MICROMETER/30 MICROINCH GOLD		67265-3001	WHITE	0.76 MICROMETER/30 MICROINCH GOLD			
REFER TO PACKING DOC. NO. PK-67265-002 PACKING: TRAY SIZE : 360*165mm (150 PIECES)				REFER TO PACKING DOC. NO. PK-67265-002 PACKING: TRAY SIZE : 360*165mm (150 PIECES)					
P/N	COLOR	CONTACT PLATING		P/N	COLOR	CONTACT PLATING			
67265-0200	BLACK	GOLD FLASH		67265-2200	BLACK	GOLD FLASH			
67265-0201	BLACK	0.76 MICROMETER/30 MICROINCH GOLD		67265-2201	BLACK	0.76 MICROMETER/30 MICROINCH GOLD			
67265-1200	WHITE	GOLD FLASH		67265-3200	WHITE	GOLD FLASH			
67265-1201	WHITE	0.76 MICROMETER/30 MICROINCH GOLD		67265-3201	WHITE	0.76 MICROMETER/30 MICROINCH GOLD			
REFER TO PACKING DOC. NO. PK-67265-003 PACKING: TUBE				REFER TO PACKING DOC. NO. PK-67265-003 PACKING: TUBE					
P/N	COLOR	CONTACT PLATING		P/N	COLOR	CONTACT PLATING			
67265-0300	BLACK	GOLD FLASH	67265-2300	BLACK	GOLD FLASH				
67265-0301	BLACK	0.76 MICROMETER/30 MICROINCH GOLD	67265-2301	BLACK	0.76 MICROMETER/30 MICROINCH GOLD				
67265-1300	WHITE	GOLD FLASH	67265-3300	WHITE	GOLD FLASH				
67265-1301	WHITE	0.76 MICROMETER/30 MICROINCH GOLD	67265-3301	WHITE	0.76 MICROMETER/30 MICROINCH GOLD				

REVISED EC NO: SH2010-0079 DRWN: YPWU CHKD: APPR: RZHANG 2009/09/01 2009/09/02 2009/10/12	QUALITY SYMBOLS	GENERAL TOLERANCES (UNLESS SPECIFIED)	DIMENSION STYLE	SCALE	DESIGN UNITS	THIRD ANGLE PROJECTION	TITLE <b>USB B VERTICAL CONN</b>  <b>MOLEX INCORPORATED</b>  DOCUMENT NO. SD-67265-002 SHEET NO. 2 OF 2	
	▼=0 □=0	mm    INCH 4 PLACES ± --- ± --- 3 PLACES ± --- ± --- 2 PLACES ± 0.25 ± --- 1 PLACE ± 0.25 ± --- ANGULAR ± 3 °	MM ONLY	1:1	METRIC	MOLEX INCORPORATED MATERIAL NO. SEE TABLE		
	DESCRIPTION	DRAFT WHERE APPLICABLE MUST REMAIN WITHIN DIMENSIONS	DRAWN BY: SAM SHIN    DATE: 1998/12/21 CHECKED BY: VLIN    DATE: 1998/12/21 APPROVED BY: NEGA LIN    DATE: 1998/12/21					
	REV		SIZE: A3	THIS DRAWING CONTAINS INFORMATION THAT IS PROPRIETARY TO MOLEX INCORPORATED AND SHOULD NOT BE USED WITHOUT WRITTEN PERMISSION				