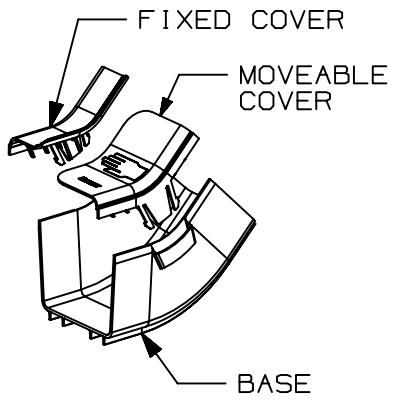
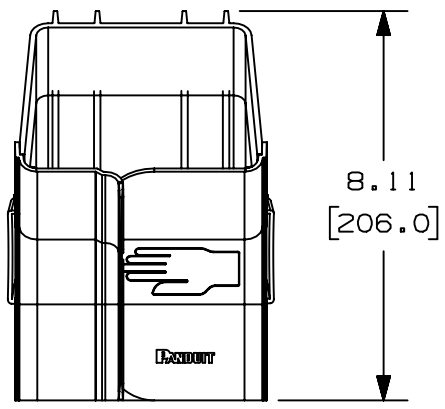


2

1

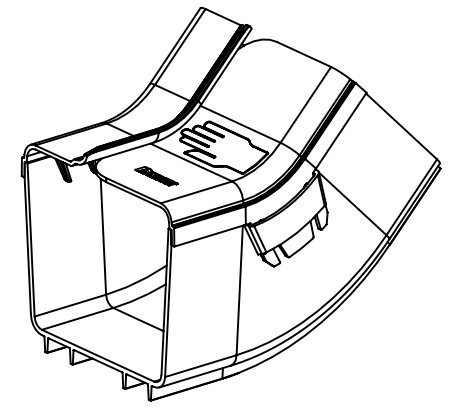
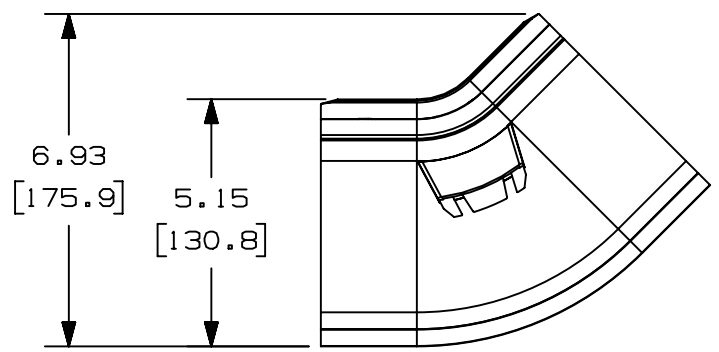
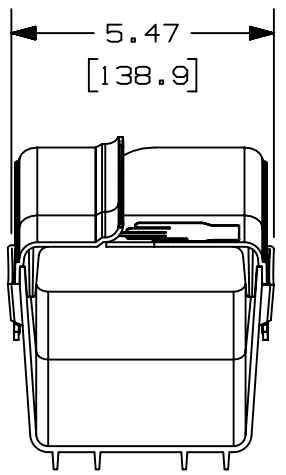
THIS COPY IS PROVIDED ON A RESTRICTED BASIS AND IS NOT TO BE USED IN ANY WAY DETRIMENTAL TO THE INTERESTS OF PANDUIT CORP.



NOTES:

1. SEE CURRENT CATALOG FOR ADDITIONAL PART SUFFIXES TO INDICATE COLOR AND/OR PACKAGE QUANTITY.
2. THE FIBERRUNNER 4x4 INSIDE VERTICAL 45° ANGLE FITTING IS DESIGNED WITH A MINIMUM 2" (50.8) BEND RADIUS TO PROTECT FIBER OPTIC CABLES.
3. PARTS SUPPLIED:  
(1)- INSIDE VERTICAL 45° ANGLE BASE  
(1)- FIXED COVER SECTION,  
(1)- MOVEABLE COVER SECTION
4. DIMENSIONS IN PARENTHESES ARE IN METRIC.

PANDUIT PART NUMBER	WEIGHT	MATERIAL
FRIV454X4**	0.74 LB/EACH (336g/EACH)	ABS
FRIV454X4L**	0.74 LB/EACH (336g/EACH)	PC/ABS



A

A

TITLE  
**FIBERRUNNER 4x4 INSIDE VERTICAL 45° ANGLE FITTING  
(FRIV454X4\*\*, FRIV454X4L\*\*)**

CUSTOMER DRAWING

ITEM REVISION NAME  
**D37847CZ/01**

DATASET FILE NAME  
**D37847CZ\_DC/01B**

**PANDUIT**

MATERIAL:  
**SEE PART NUMBER TABLE ABOVE**

DRAWING NUMBER:  
**37847-60**

THIRD ANGLE PROJECTION

DRAWN BY: **JHNU** DATE: **7/16/01** CHK: **HIW** SCALE: **NONE**

SHT 1 OF 1

SIZE: **A**

REV	DATE	BY	CHK	APR	DESCRIPTION	ECN
01B	8/21/20	MEX-JAGC	DWR	DWR	ADDED PART NUMBER	V09002DZ/11

2

1

D10100DA/20