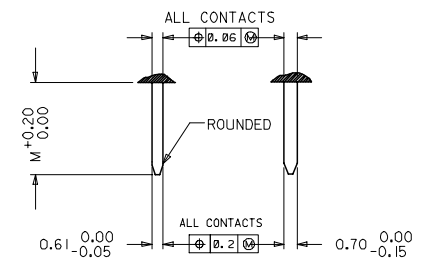
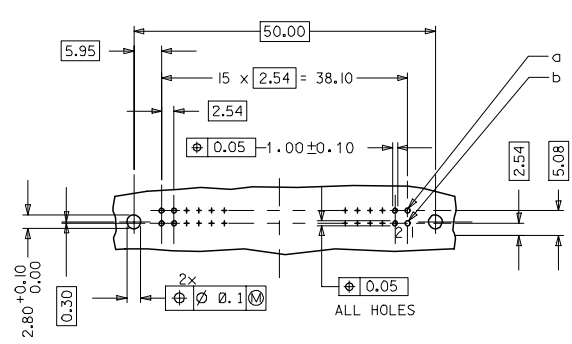


DETAILY DETAILX

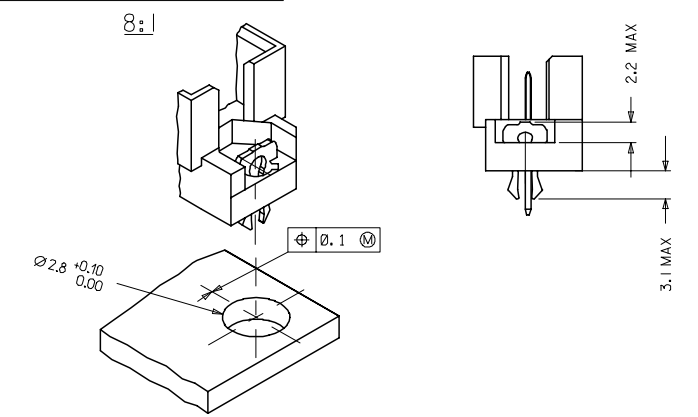


LMFB CONTACTS	4,2
PRE MATING CONTACTS	5,4
NORMAL CONTACTS	4,8
	M

**RECOMMENDED PCB LAYOUT
COMPONENT SIDE**



WITH MOUNTING CLIPS



- NOTES:**
- 1) MATERIALS: THERMOPLASTIC POLYESTER, GLASS FILLED, UL94V-0
COLOUR: PEBBLE GREY RAL 7032
TERMINAL - BRASS
MOUNTING CLIP: STEEL
 - 2) FINISH: TERMINAL:-
CONTACT AREA:
1. PERFORMANCE LEVEL 1: SELECTIVE GOLD (Au), THICKNESS = 1.1 MICROMETER
OVER NICKEL, THICKNESS = 1.25 MICROMETER
2. PERFORMANCE LEVEL 2: SELECTIVE GOLD (Au), THICKNESS = 0.6 MICROMETER
OVER NICKEL, THICKNESS = 1.25 MICROMETER
3. PERFORMANCE LEVEL 3: SELECTIVE GOLD (Au), THICKNESS = 0.3 MICROMETER
OVER NICKEL, THICKNESS = 1.25 MICROMETER
TERMINATION AREA:
SELECTIVE TIN, THICKNESS = 2.5 MICROMETER
OVER NICKEL, THICKNESS = 1.25 MICROMETER OVERALL
 - 3) MOUNTING CLIP:-
TIN (Sn), THICKNESS = 5-10 MICROMETER,
OVER NICKEL (Ni), THICKNESS = 2.5 MICROMETER
 - 4) FOR NON MOUNTING CLIP OPTION, CONNECTOR TO BE SECURED WITH
RIVETS: 2 TUBULAR RIVETS 2.5 x 0.3 ... DIN 7340
SCREWS: 2 CHEESEHEAD SCREWS M2.5 x ... DIN 84 AND 2 HEXAGONAL NUTS M2.5 DIN 934
 - 5) MATERIAL NUMBER, BATCH CODE, UL AND CSA MARKING
TO BE PRINTED ON THE CONNECTOR
 - 6) CUT FACE OF TIP WITHOUT PLATING PERMITTED
 - 7) PRODUCT SPECIFICATION PS : 36511-001

RoHS COMPLIANT

ENTER DESCRIPTION ELC.MC.12007-0193 DRAWING NO. 2007/01/08 CHKD.SUDHIR 2007/01/08 APPR.PRASAD 2007/01/09	QUALITY SYMBOLS ▽=0 ▽=0	GENERAL TOLERANCES (UNLESS SPECIFIED)		DIMENSION STYLE MM ONLY		SCALE 2:1	DESIGN UNITS METRIC	THIRD ANGLE PROJECTION
		4 PLACES ± --- ± --- 3 PLACES ± 0.05 ± --- 2 PLACES ± 0.1 ± --- 1 PLACE ± 0.15 ± ---	INCH ± --- ± --- ± ---	DRAWN BY SS	DATE 2001/07/27	TITLE ASSEMBLY, DIN 41612 Q/2 MALE 32 POS SOLDER, L = 4.5	MOLEX INCORPORATED	MATERIAL NO. SEE CHART
DRAFT WHERE APPLICABLE MUST REMAIN WITHIN DIMENSIONS		THIS DRAWING CONTAINS INFORMATION THAT IS PROPRIETARY TO MOLEX INCORPORATED AND SHOULD NOT BE USED WITHOUT WRITTEN PERMISSION						

VIEW ON MATING SIDE

Δ	B	B	B	B	Y	Y	Y	Y	Y	Y	Y	Y	B	B	B
○	A	A	A	A	Z	Z	Z	Z	Z	Z	Z	Z	A	A	A
	16	15	14	13	12	11	10	9	8	7	6	5	4	3	2

A = 8 STANDARD CONTACTS L= 4.5
 B = 8 STANDARD CONTACTS L= 4.5
 Z = 8 LMFB CONTACTS -0.6 L= 4.5
 Y = 8 LMFB CONTACTS -0.6 L= 4.5
 S = 32 TOTAL NUMBER OF CONTACTS

MARKING	STANDARD
PERFORMANCE LEVEL	G2/0 = CONTACT AREA LEVEL 2 / TERMINATION TIN
FLUX PROOF	NO
FIXING CLIP	YES
DIMENSIONS	SD-36557-0001 SHT 1

Y	G2/0	b5-12
Z	G2/0	a5-12
B	G2/0	b1-4, b13-16
A	G2/0	a1-4, a13-16
CONTACT SYMBOL	PERFORMANCE LEVEL	CONTACT POSITION NUMBER

MATING HEIGHTS AT CONTACT SIDE

FMLB CONTACT	5.4
STANDARD CONTACT	4.8
LMFB CONTACT	4.2

RoHS COMPLIANT

ENTER DESCRIPTION ELC.MC.12007-0193 DRAWING NO. 2007/07/08 CHKD/SUBDR 2007/07/08 APPR/PRA/SJ 2007/07/09	QUALITY SYMBOLS ▽=0 ▽=0	GENERAL TOLERANCES (UNLESS SPECIFIED)		DIMENSION STYLE MM ONLY	SCALE 2:1	DESIGN UNITS METRIC	THIRD ANGLE PROJECTION	
		4 PLACES ± --- ± ---	INCH	DRAWN BY SS	DATE 2001/07/27	TITLE ASSEMBLY, DIN 41612 Q/2 MALE 32 POS SOLDER, L = 4.5		
		3 PLACES ± 0.05 ± ---	INCH	CHECKED BY GJLOWE	DATE 2001/07/27	MOLEX INCORPORATED		
		2 PLACES ± 0.1 ± ---	INCH	APPROVED BY GJLOWE	DATE 2001/07/27	MATERIAL NO. SD-36557-001 DOCUMENT NO. SHEET NO. 2 OF 2		
DRAFT WHERE APPLICABLE MUST REMAIN WITHIN DIMENSIONS		SEE CHART		THIS DRAWING CONTAINS INFORMATION THAT IS PROPRIETARY TO MOLEX INCORPORATED AND SHOULD NOT BE USED WITHOUT WRITTEN PERMISSION				