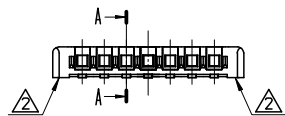
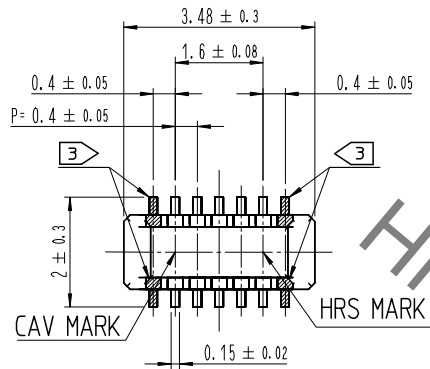
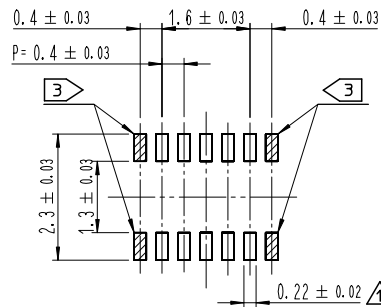


May 1, 2023 Copyright 2023 HIROSE ELECTRIC CO., LTD. All Rights Reserved.
 use of consideration for using Automotive equipment service which demand high reliability, kindly contact our sales window correspond



4 RECOMMENDED PATTERN



4 RECOMMENDED SOLDER PASTE: THICKNESS 100 μm

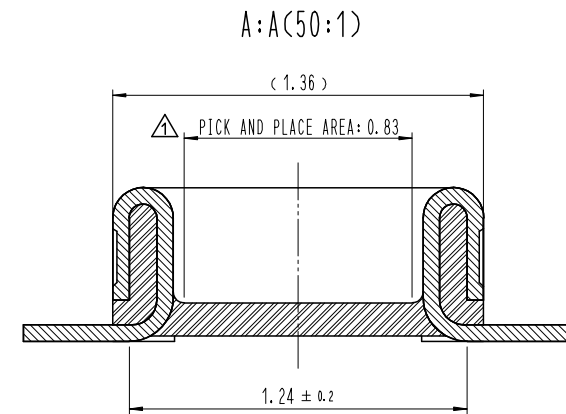
NOTE

- 1. ALL LEAD CO-PLANARITY SHALL BE 0.08mm MAX.
- 2. CONTACT PLATING SPECIFICATIONS.
 CONTACT AREA : GOLD 0.05 μm MIN.
 SMT LEAD : GOLD 0.05 μm MIN.
 UNDER PLATING : NICKEL 1 μm MIN.
 (SURFACE : SEALING)
- 3. EACH CONTACTS 4 CORNERS ARE PROVIDED FOR METAL FITTINGS.
 (NOT FOR ELECTRICAL CONNECTION)
- 4. PLEASE CONTACT US IN CASE YOU WILL MAKE DIFFERENT SETTINGS FROM OUR RECOMMENDATION.

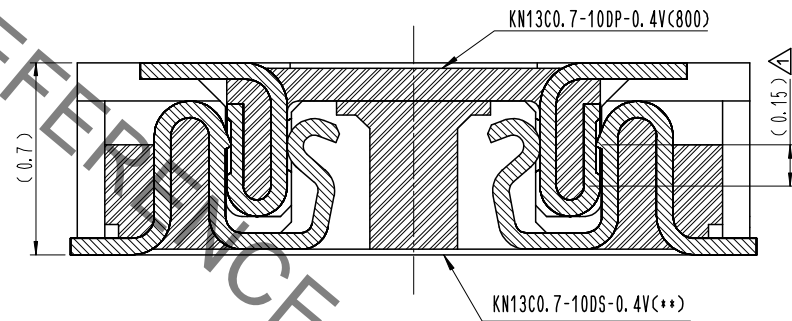
DRAWING FOR REFERENCE

This is subject to change without notice

COUNT	DESCRIPTION OF REVISIONS	B	Y	CHKD	DATE	COUNT	DESCRIPTION OF REVISIONS	B	Y	CHKD	DATE
3	RE-6-0786	JSH	JHW		16. 11. 30						
2	RE-6-0807	JSH	JHW		17. 05. 23						
4	RE-6-1598	JDH	JHW		19. 10. 30						



ENGAGEMENT FIGURE (50:1)



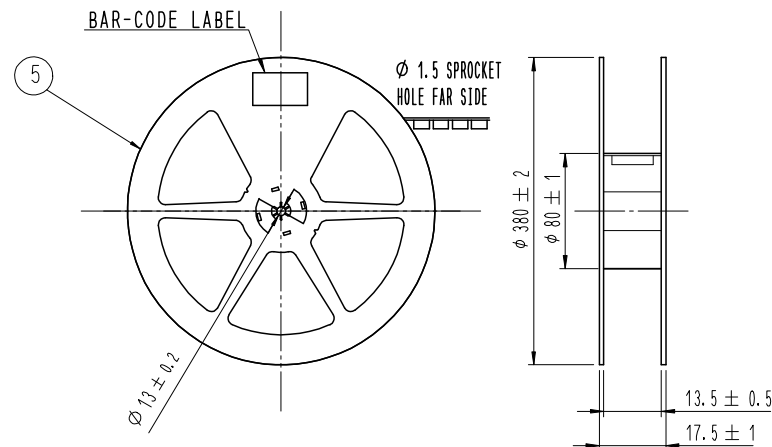
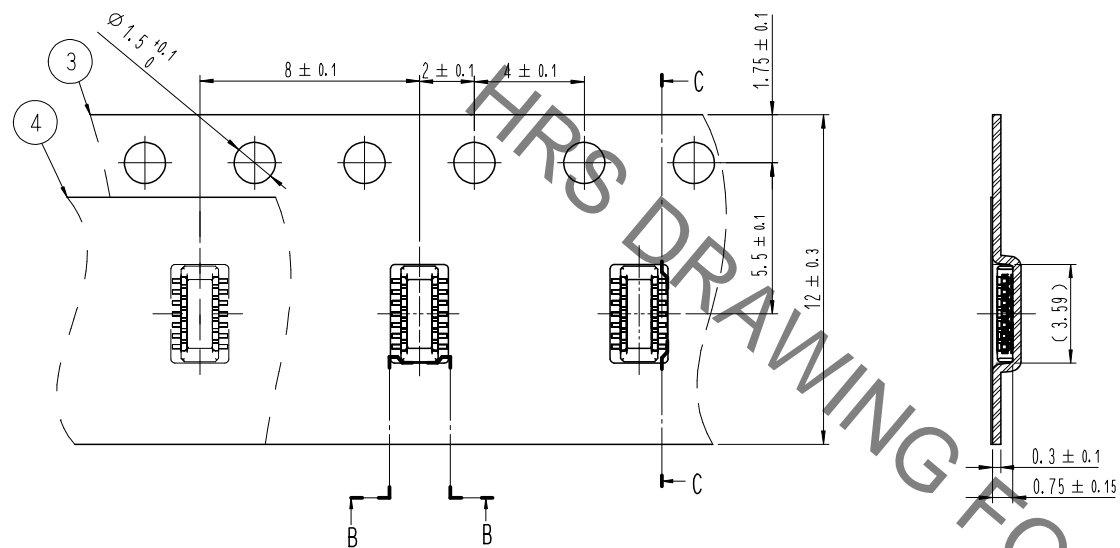
3	PS	CLEAR (EMBOSSED CARRIER TAPE)		5	PS	BLACK (PLASTIC REEL)		
2	COPPER ALLOY	2		4	POLYESTER	CLEAR (COVER TAPE)		
1	LCP	UL94 V-0, BLACK						
NO.	MATERIAL	FINISH, REMARKS	NO.	MATERIAL	FINISH, REMARKS			
REMARKS				DRAWN	DESIGNED	CHECKED	APPROVED	RELEASED
				S. H. JUNG	S. H. JUNG	H. W. JO	T. S. KANG	19. 10. 30
				16. 11. 23	16. 11. 23	16. 11. 23	16. 11. 23	
CODE NO. (COLD)	DRAWING NO. Δ EDC3-632681-80		PART NO.		KN13CO.7-10DP-0.4V(800)			
SCALE	10:1		CODE NO.		Δ CL 6647-0041-0-800			
UNITS	mm				1/2			
		HRS HIROSE KOREA CO., LTD.						

May.1.2023 Copyright 2023 HIROSE ELECTRIC CO., LTD. All Rights Reserved.
 use of consideration for using Automotive equipment /device which demand high reliability, kindly contact our sales window correspond

EMBOSSED CARRIER TAPE PACKAGING (5:1)

C-C (5:1)

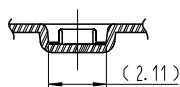
STYLE AND DIMENSION OF REEL (FREE)



DIRECTION OF UNREELING



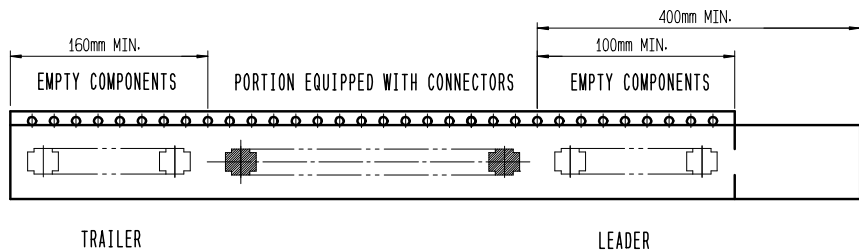
B-B (5:1)



DETAIL OF PART No. LABEL

LOT NO.	*****
CL NO.	CL ***-****-***
PRODUCT	PART NO KN13CO.7-10DP-0.4V(800)
QUANTITY	Q'TY 8,000 PCS
SUPPLIER	HIROSE KOREA CO., Ltd.
RoHS H/F [®] *****	

TAPING(FREE)



- 5 . PER REEL 8,000 CONNECTORS.
- 6 . THE DIMENSIONS IN PARENTHESES ARE FOR REFERENCE.
- 7 . REFER TO JIS C 0806, IEC-60286-3 (PACKAGING OF COMPONENTS FOR AUTOMATIC HANDLING)

 SCALE 10:1 UNITS	DRAWING NO. EDC3-632681-80	PART NO. KN13CO.7-10DP-0.4V(800)
	HIROSE KOREA CO., LTD.	
	CODE NO CL 6647-0041-0-800	2/2