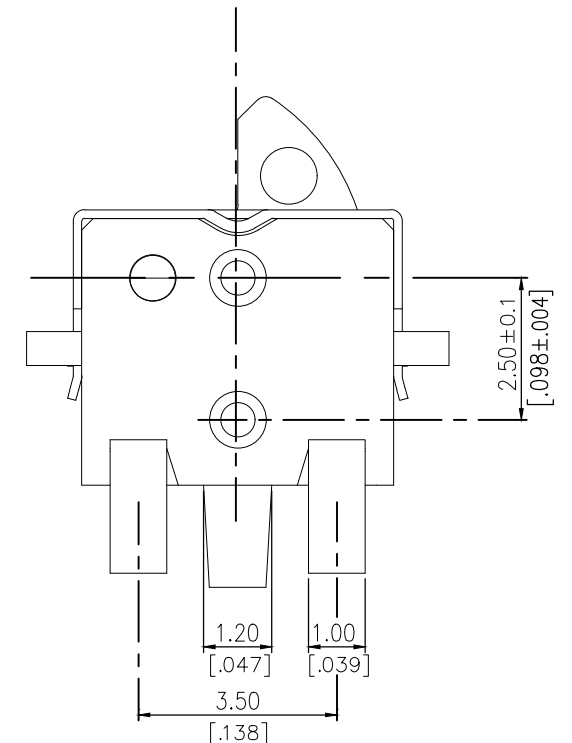
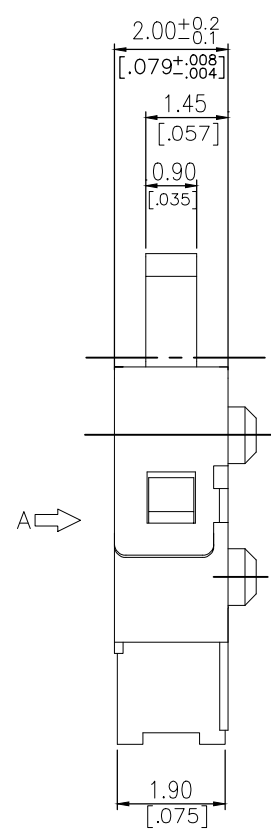
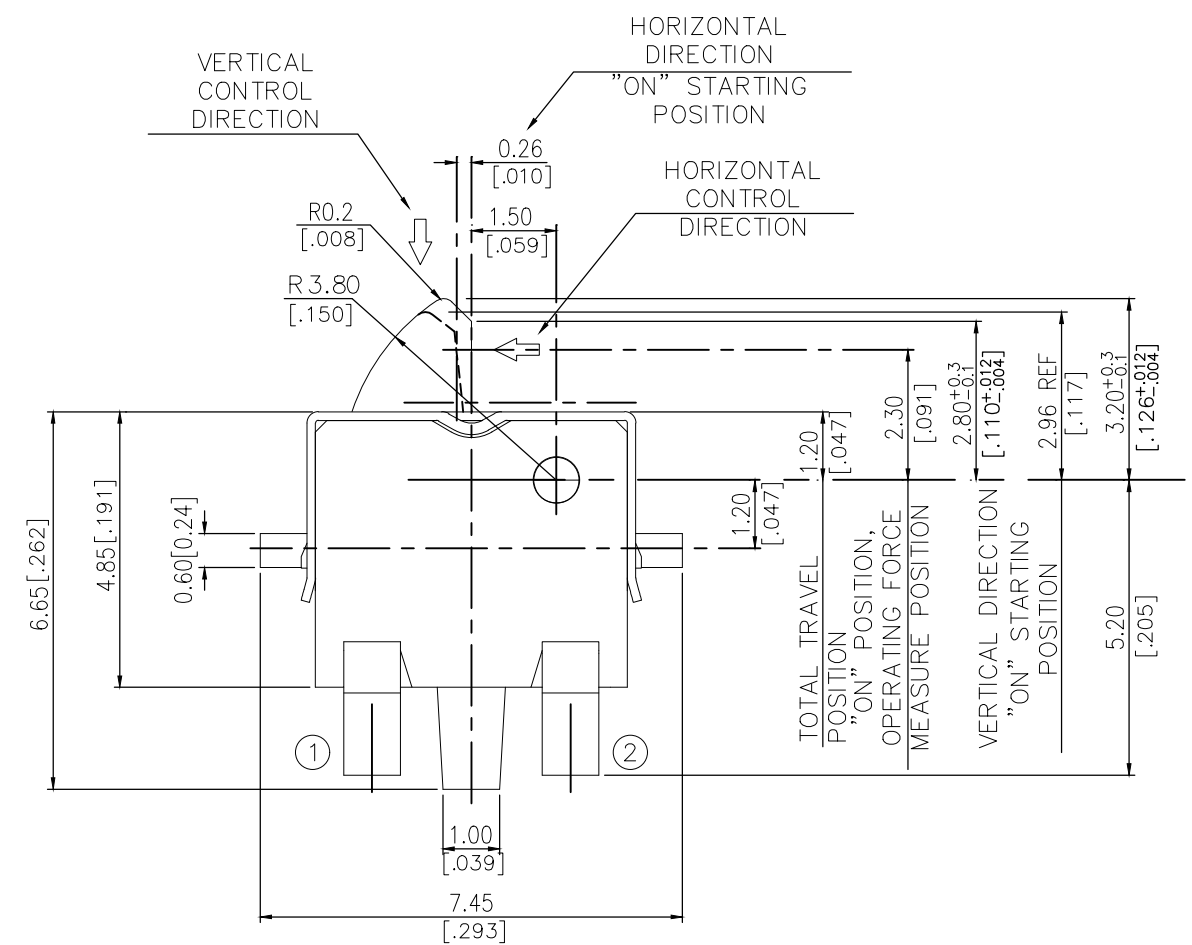
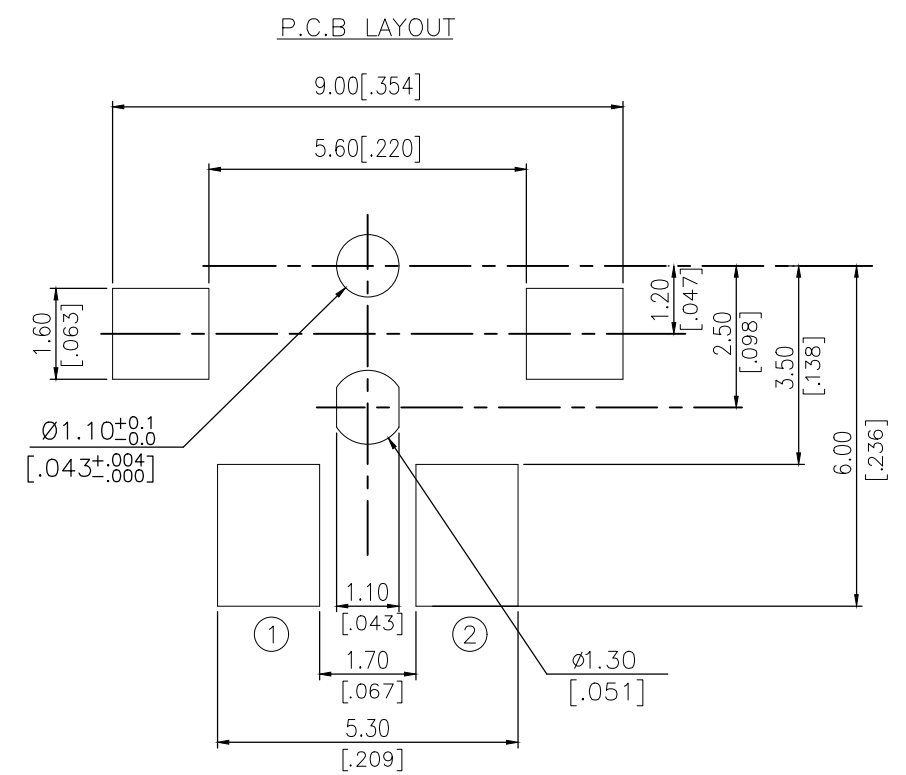
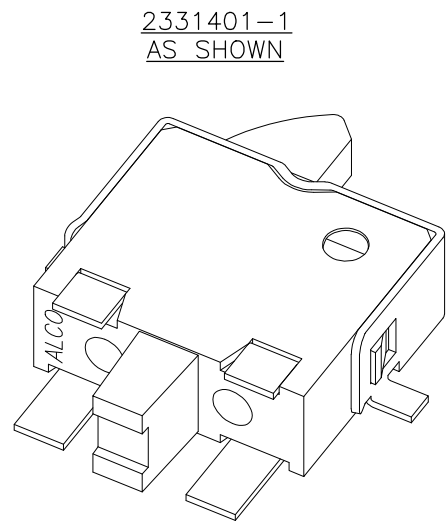
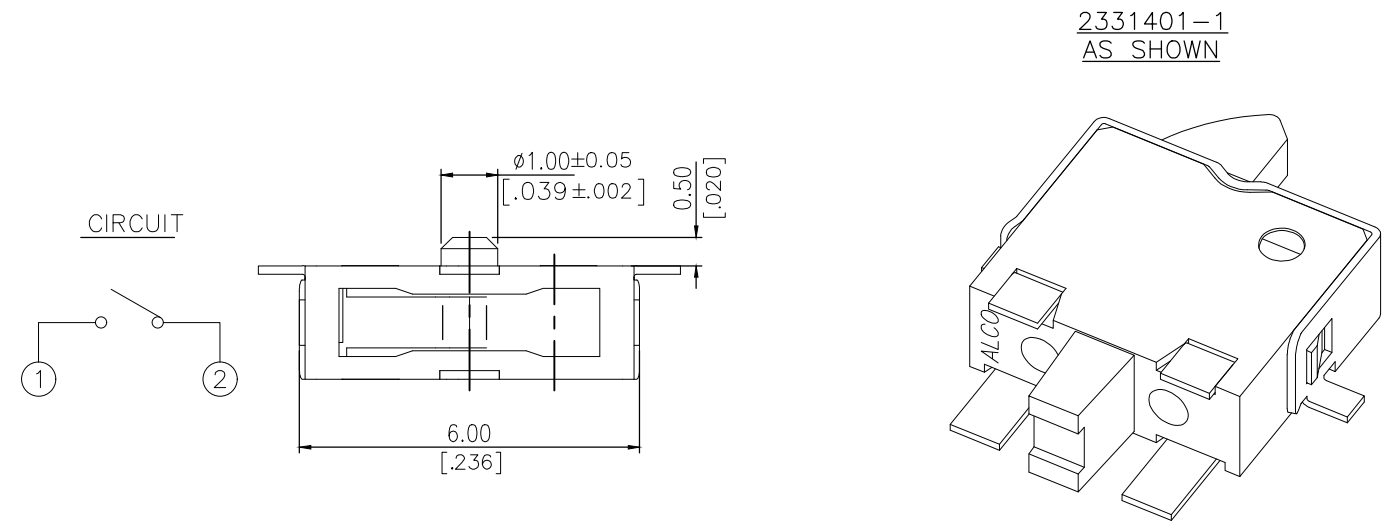


THIS DRAWING IS UNPUBLISHED. RELEASED FOR PUBLICATION  
 © COPYRIGHT - TE Connectivity Ltd. ALL RIGHTS RESERVED.

REVISIONS				
P	LTR	DESCRIPTION	DATE	APVD
A		ECR-18-012767	14AUG2018	DHC AS



THIS DRAWING IS A CONTROLLED DOCUMENT.		DWN GANESH C M 07MAR2018	TE Connectivity Ltd.	
DIMENSIONS: mm [INCHES] TOLERANCES UNLESS OTHERWISE SPECIFIED: 0 PLC ± - 1 PLC ± - 2 PLC ± 0.20 [.008] 3 PLC ± - 4 PLC ± - ANGLES ± -		CHK ALEXANDER SHARPE 07MAR2018		
MATERIAL -		APVD ALEXANDER SHARPE 07MAR2018	PRODUCT SPEC	SWITCH, DETECTOR, JJJ SERIES, 6.0X4.85mm, HORIZONTAL, SMT, LEFT, WITH GROUND
FINISH -		APPLICATION SPEC -	WEIGHT -	RESTRICTED TO -
		CUSTOMER DRAWING	SIZE A3	CAGE CODE 00779
			DRAWING NO C-2331401	SCALE NTS
			SHEET 1 OF 3	REV A

THIS DRAWING IS UNPUBLISHED.

RELEASED FOR PUBLICATION

---

REVISIONS

© COPYRIGHT - TE Connectivity Ltd.

ALL RIGHTS RESERVED.

P	LTR	DESCRIPTION	DATE	DWN	APVD
-	-	SEE SHEET 1	-	-	-

NOTES:

1. MATERIALS

ACTUATOR: THERMOPLASTIC, UL 94V-0, BROWN  
 BODY: THERMOPLASTIC, UL 94V-0, BLACK  
 COVER: NICKEL SILVER  
 TERMINAL: COPPER ALLOY, SILVER PLATE  
 CONTACT: STAINLESS STEEL, SILVER CLAD

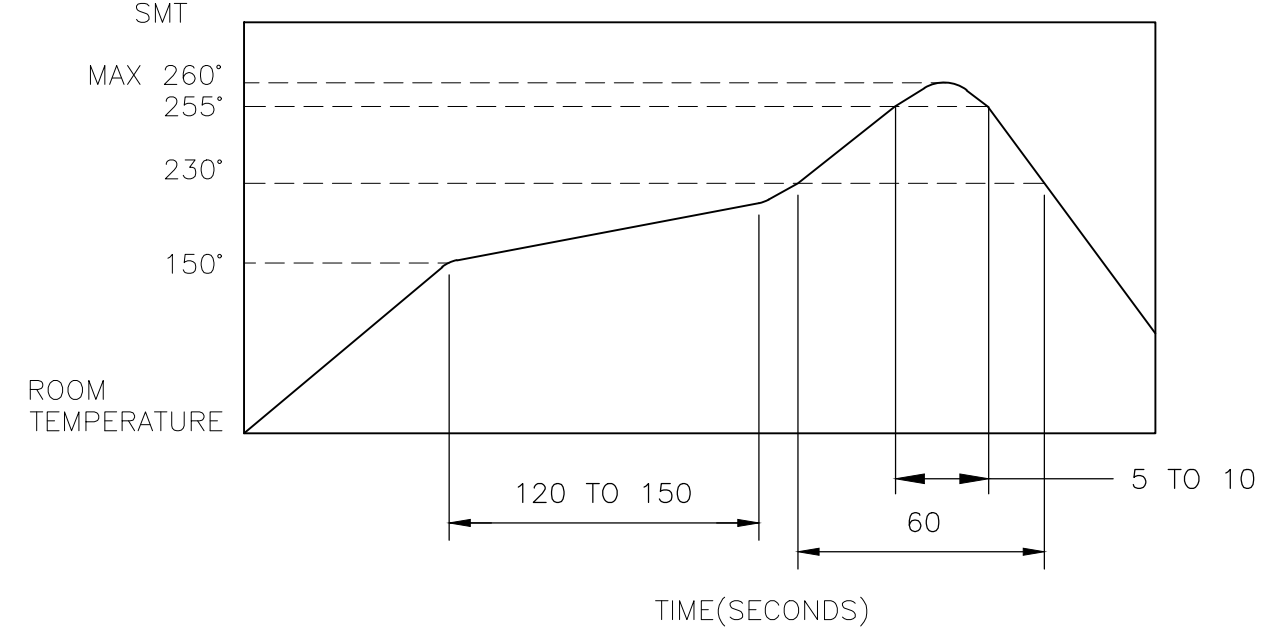
2. COMPLIANCE:

ALL MATERIALS AND FINISHES SHALL COMPLY WITH EU DIRECTIVE 2002/95/EC OF 27JAN2003(RoHS)

3. SPECIFICATIONS:

RATING: 50mA, 20V DC  
 CONTACT RESISTANCE: 1Ω MAXIMUM(INITIAL)  
 INSULATION RESISTANCE: 100MΩ MINIMUM AT 100V DC  
 DIELECTRIC STRENGTH: 100V AC, 1 MINUTE  
 OPERATING LIFE: 100,000 CYCLES WITH LOAD  
 TOTAL TRAVEL: 2.0 [.079]  
 ACTUATION FORCE: 50gf MAXIMUM  
 OPERATING TEMPERATURE: -10°C TO 60°C  
 STORAGE TEMPERATURE: -20°C TO 70°C

4. SOLDER CONDITIONS:



THE CONDITION MENTIONED ABOVE IS THE TEMPERATURE ON THE CU FOIL OF THE PCB SURFACE. THERE ARE CASES WHERE THE BOARD'S TEMPERATURE GREATLY DIFFERS FROM THE SWITCH'S SURFACE. DO NOT ALLOW SWITCH'S SURFACE TEMPERATURE TO EXCEED 260°C

MANUAL SOLDERING

SOLDERING TEMPERATURE	MAX.350°C.
CONTINUOUS SOLDERING TIME	MAX. 5 SECONDS.

PRECAUTIONS IN HANDLING

1. CARE SHOULD BE EXERCISED SO THAT FLUX FROM THE UPPER PART OF THE PRINTED CIRCUIT BOARD DOES NOT ADHERE TO THE SWITCH.

JJHLLGG200NOPMRTR	2331401-1
SMART PART NUMBER	PART NUMBER

THIS DRAWING IS A CONTROLLED DOCUMENT.		DWN	07MAR2018	TE Connectivity Ltd.			
		CHK	07MAR2018				
		APVD	07MAR2018				
		NAME	ALEXANDER SHARPE				
DIMENSIONS:	TOLERANCES UNLESS OTHERWISE SPECIFIED:	PRODUCT SPEC		SWITCH, DETECTOR, JJJ SERIES, 6.0X4.85mm, HORIZONTAL, SMT, LEFT, WITH GROUND			
mm [INCHES]		APPLICATION SPEC		SIZE	CAGE CODE	DRAWING NO	RESTRICTED TO
	0 PLC ± -			A3	00779	C-2331401	-
	1 PLC ± -	WEIGHT		CUSTOMER DRAWING			SCALE
	2 PLC ± 0.20 [.008]						NTS
	3 PLC ± -						SHEET
	4 PLC ± -						2 OF 3
	ANGLES ± -						REV
MATERIAL	FINISH						A
-	-						

THIS DRAWING IS UNPUBLISHED. RELEASED FOR PUBLICATION

© COPYRIGHT - TE Connectivity Ltd.

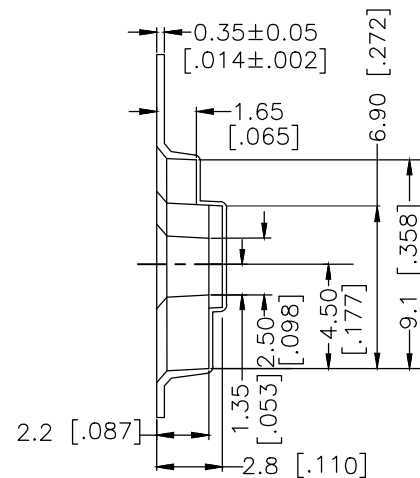
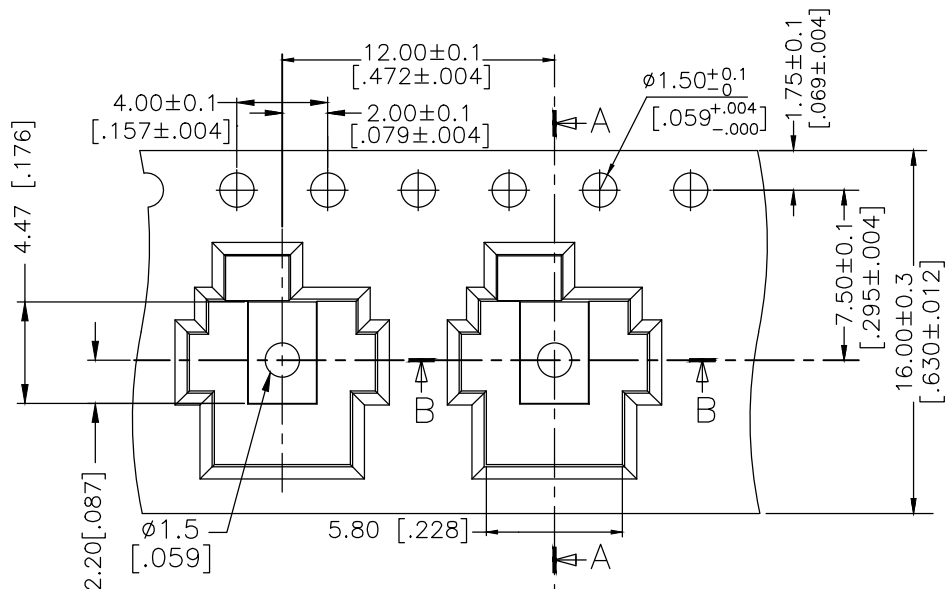
ALL RIGHTS RESERVED.

REVISIONS

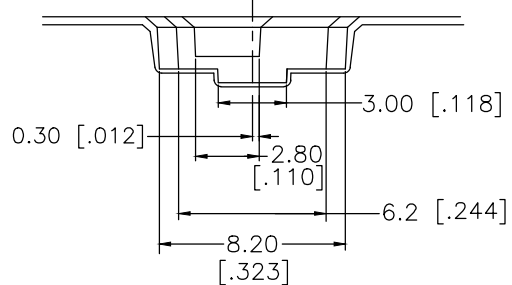
P	LTR	DESCRIPTION	DATE	DWN	APVD
-	-	SEE SHEET 1	-	-	-

PACKAGING:  
2000 SWITCHES PER REEL

THE DIMENSION OF CARRIER TAPE, COVER TAPE AND REEL

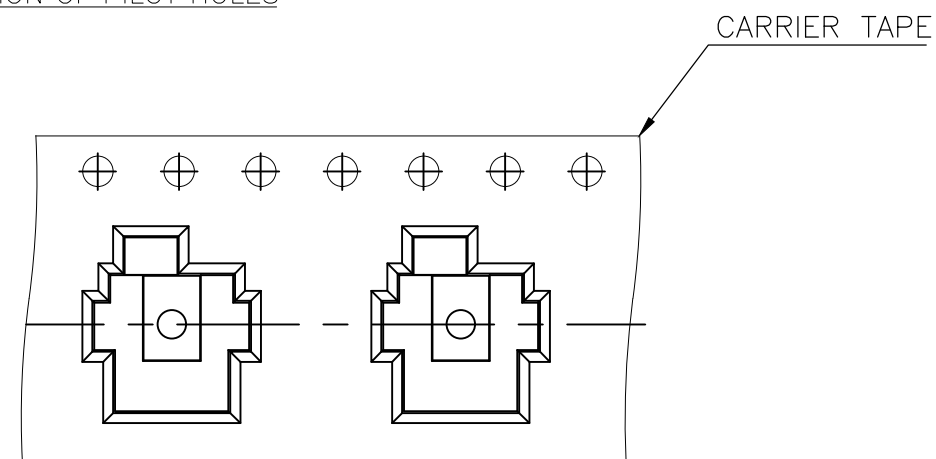


SECTION A-A

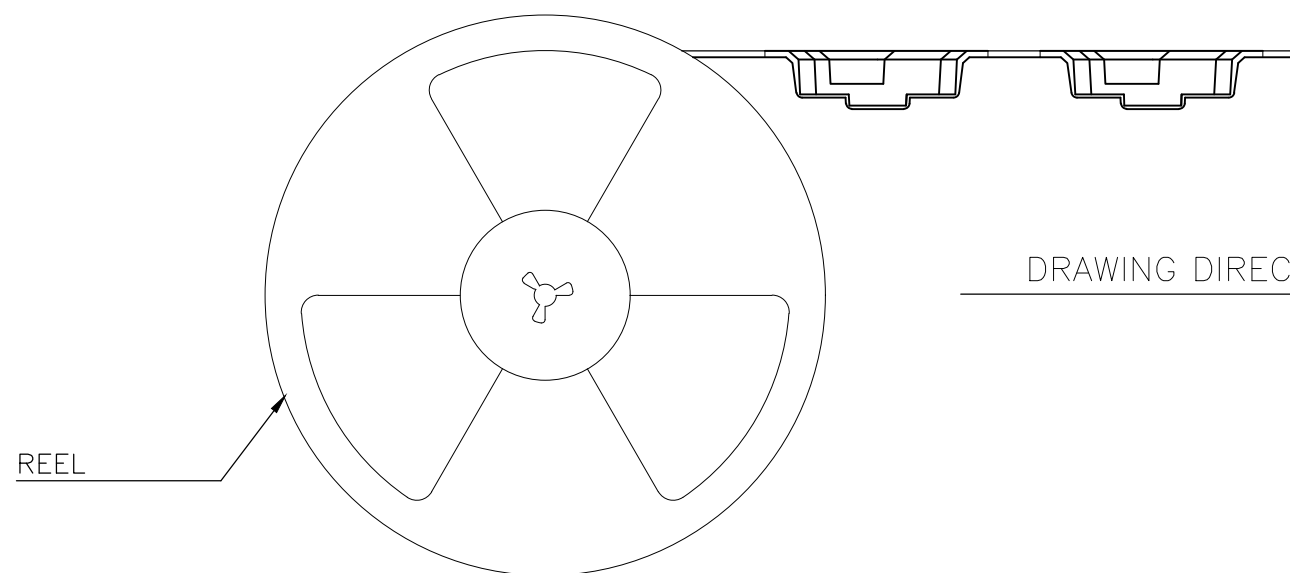


SECTION B-B

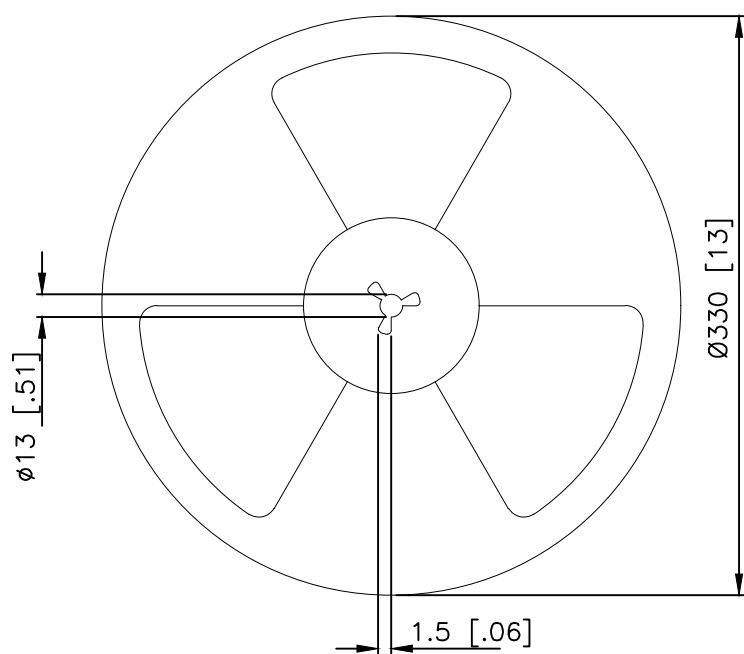
THE DIRECTION OF PILOT HOLES



DRAWING DIRECTION



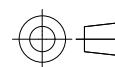
REEL



THIS DRAWING IS A CONTROLLED DOCUMENT.

DIMENSIONS:  
mm [INCHES]

TOLERANCES UNLESS OTHERWISE SPECIFIED:



0 PLC	± -
1 PLC	± -
2 PLC	± 0.20 [.008]
3 PLC	± -
4 PLC	± -
ANGLES	± -
FINISH	± -

MATERIAL

FINISH

DWN 07MAR2018

CHK 07MAR2018

APVD 07MAR2018

PRODUCT SPEC

APPLICATION SPEC

WEIGHT

CUSTOMER DRAWING

NAME: SWITCH, DETECTOR, JJJ SERIES, 6.0X4.85mm, HORIZONTAL, SMT, LEFT, WITH GROUND

SIZE: A3, CAGE CODE: 00779, DRAWING NO: C-2331401

RESTRICTED TO: -

SCALE: NTS, SHEET: 3 OF 3, REV: A

