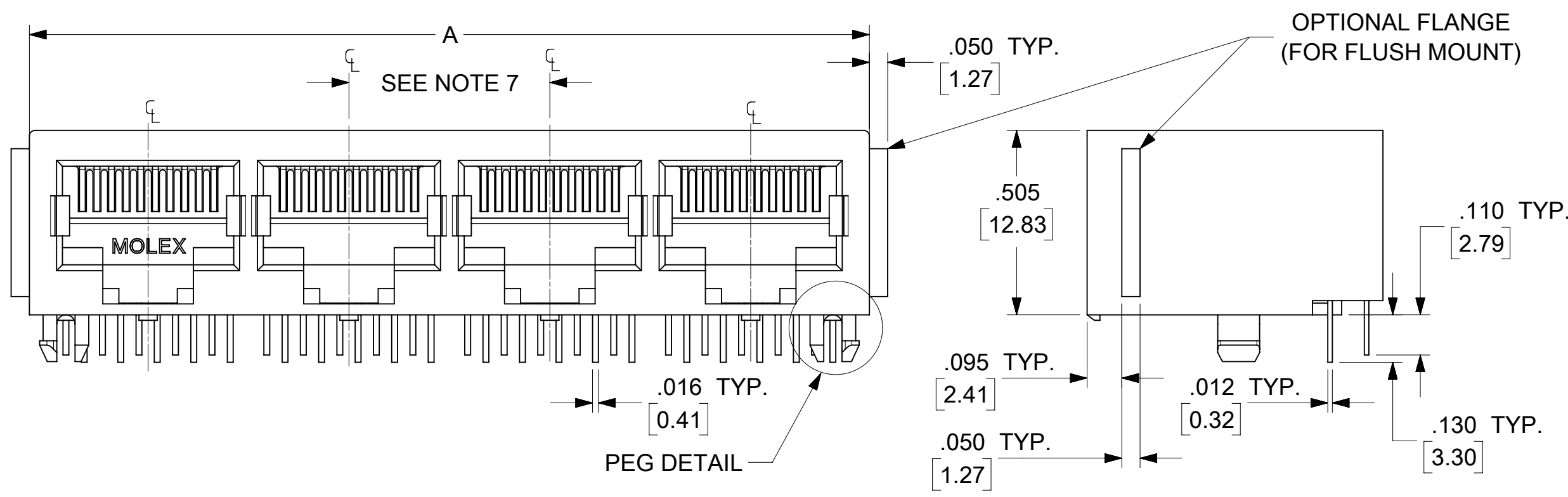


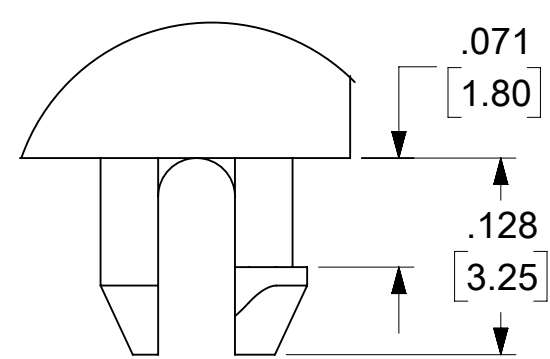
NOTES:

- 1) MATERIAL:
HOUSING: GLASS FILLED NYLON, UL94V-0, COLOR: BLACK
INSULATOR: GLASS FILLED NYLON, UL94V-0, COLOR: BLACK
TERMINALS: PHOSPHOR BRONZE: .012/ 0.30 THICK
- 2) FINISH:
TERMINALS:
SELECT GOLD IN CONTACT AREA: 50 MICROINCHES/ 1.27 MICROMETERS MIN.,
*SELECT TIN IN PC TAIL AREA: 100 MICROINCHES/ 2.54 MICROMETERS MIN.,
WITH OVERALL NICKEL UNDERPLATE: 50 MICROINCHES/ 1.27 MICROMETERS MIN.
*THE PRIMARY SHIPPING CARTON WILL BE LABELED "COMPLIANT TO RoHS DIRECTIVE 2002/95/EC AND ELV ANNEX II OF DIRECTIVE 2000/53/EC".
CARTONS WITHOUT THIS LABEL MAY CONTAIN PRODUCT WITH TIN-LEAD IN THE PC TAIL AREA.
- 3) PRODUCT SPECIFICATION AND PROCESSING PARAMETERS: PS-43223-001.
- 4) PACKAGING SPECIFICATION:
UNSHIELDED CONNECTOR ASSEMBLIES PACKAGED IN TRAYS PER MOLEX PACKAGING SPECIFICATION PK-43249-004.
- 5) SEE SHEETS 4-6 FOR P.C. BOARD LAYOUTS.
- 6) SEE SHEET 2 FOR THE SHIELDED JACK ASSEMBLY.
- 7) FOR 6 CIRCUIT JACKS CENTERLINE TO CENTERLINE SPACING IS .448/ 11.38, FOR 8 CIRCUIT JACKS CENTERLINE TO CENTERLINE SPACING IS .550/ 13.97.
- 8) ALL UNTOLERANCED DIMENSIONS ARE SHOWN FOR REFERENCE ONLY.
- 9) THIS PART CONFORMS TO CLASS B REQUIREMENTS OF COSMETIC SPECIFICATION PS-45499-002.

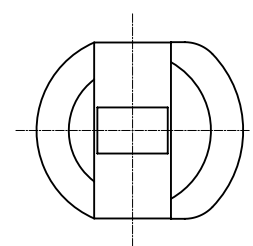


**4 PORT 8 LOADED
10 JACK SHOWN**

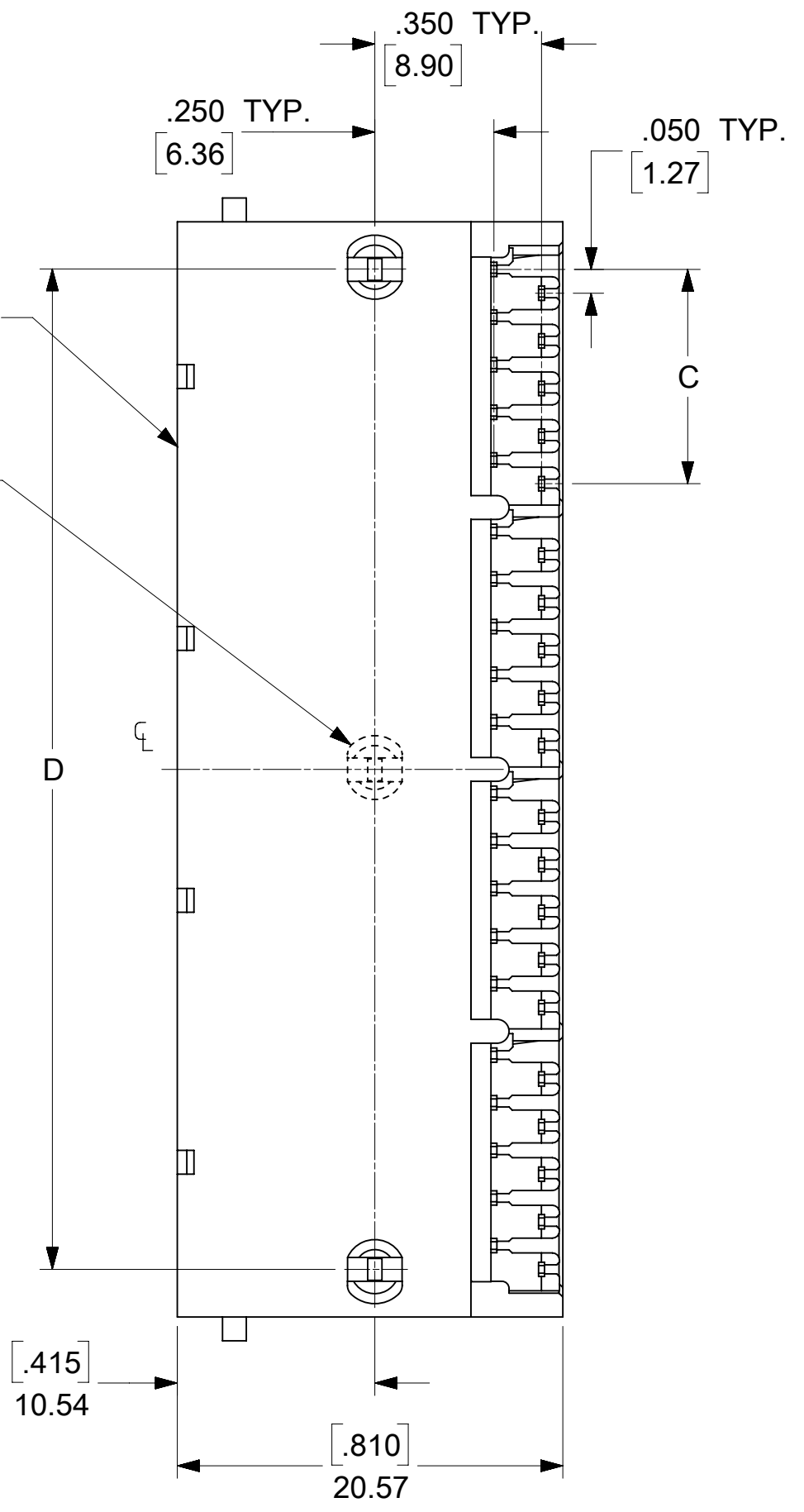
UNSHIELDED GANGED JACK ASSEMBLY
SHEET 3



CENTER PEG
(8 PORT ASSY. ONLY)



SNAP FIT
PEG DETAIL
SCALE 8:1



6 CIRCUIT HOUSING

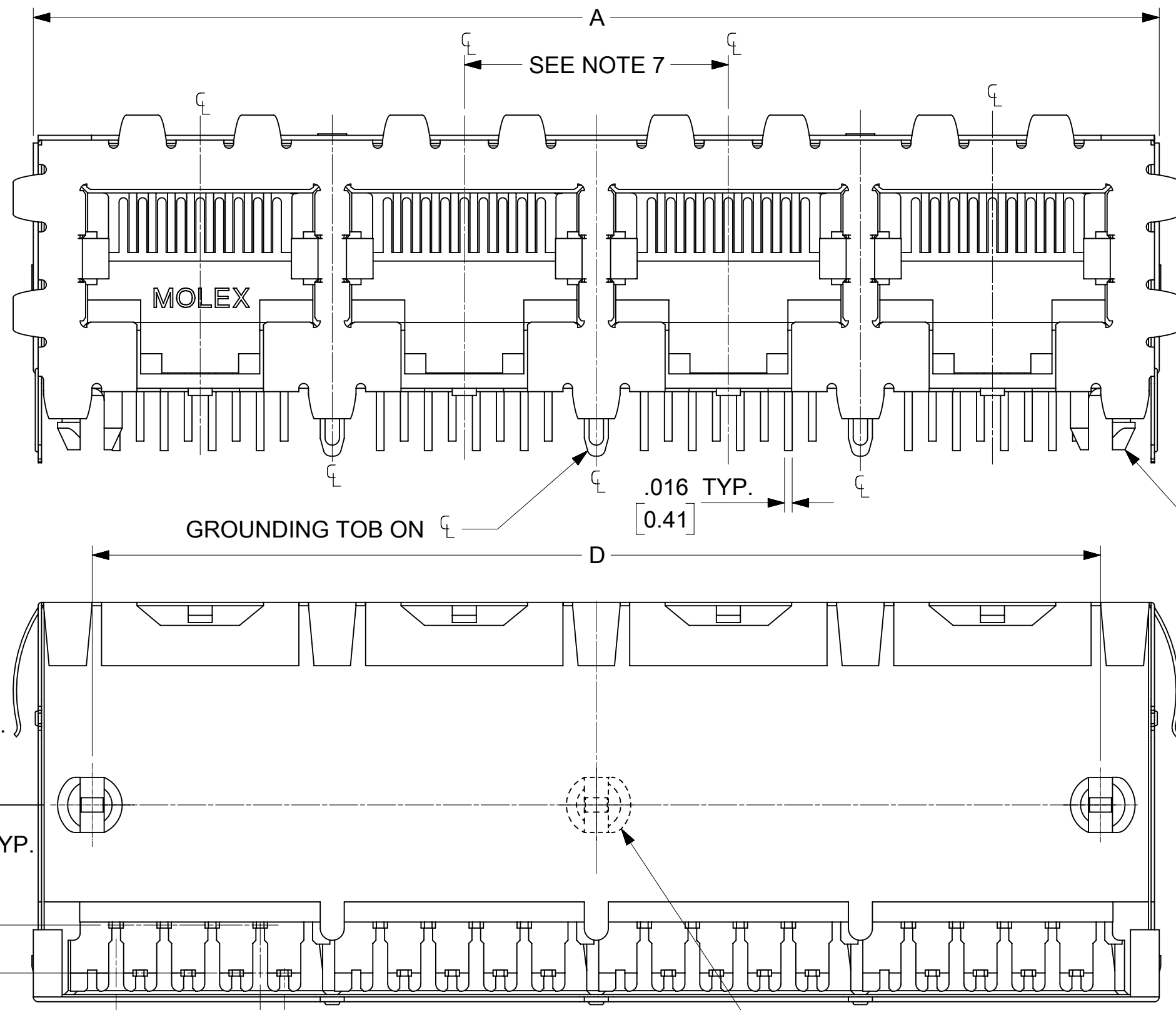
CIRCUIT SIZE	NO. OF PORTS	DIM. A	DIM. C	DIM. D
6	2	.985 (25.02)	.250 (6.35)	.848 (21.54)
4	2	.985 (25.02)	.150 (3.81)	.848 (21.54)
2	2	.985 (25.02)	.050 (1.27)	.848 (21.54)
6	3	1.433 (36.40)	.250 (6.35)	1.296 (32.92)
4	3	1.433 (36.40)	.150 (3.81)	1.296 (32.92)
2	3	1.433 (36.40)	.050 (1.27)	1.296 (32.92)
6	4	1.881 (47.78)	.250 (6.35)	1.744 (44.30)
4	4	1.881 (47.78)	.150 (3.81)	1.744 (44.30)
2	4	1.881 (47.78)	.050 (1.27)	1.744 (44.30)
6	5	2.329 (59.16)	.250 (6.35)	2.192 (55.68)
4	5	2.329 (59.16)	.150 (3.81)	2.192 (55.68)
2	5	2.329 (59.16)	.050 (1.27)	2.192 (55.68)
6	6	2.777 (70.54)	.250 (6.35)	2.640 (67.06)
4	6	2.777 (70.54)	.150 (3.81)	2.640 (67.06)
2	6	2.777 (70.54)	.050 (1.27)	2.640 (67.06)
6	8	3.673 (93.29)	.250 (6.35)	3.536 (89.81)
4	8	3.673 (93.29)	.150 (3.81)	3.536 (89.81)
2	8	3.673 (93.29)	.050 (1.27)	3.536 (89.81)

8 CIRCUIT HOUSING

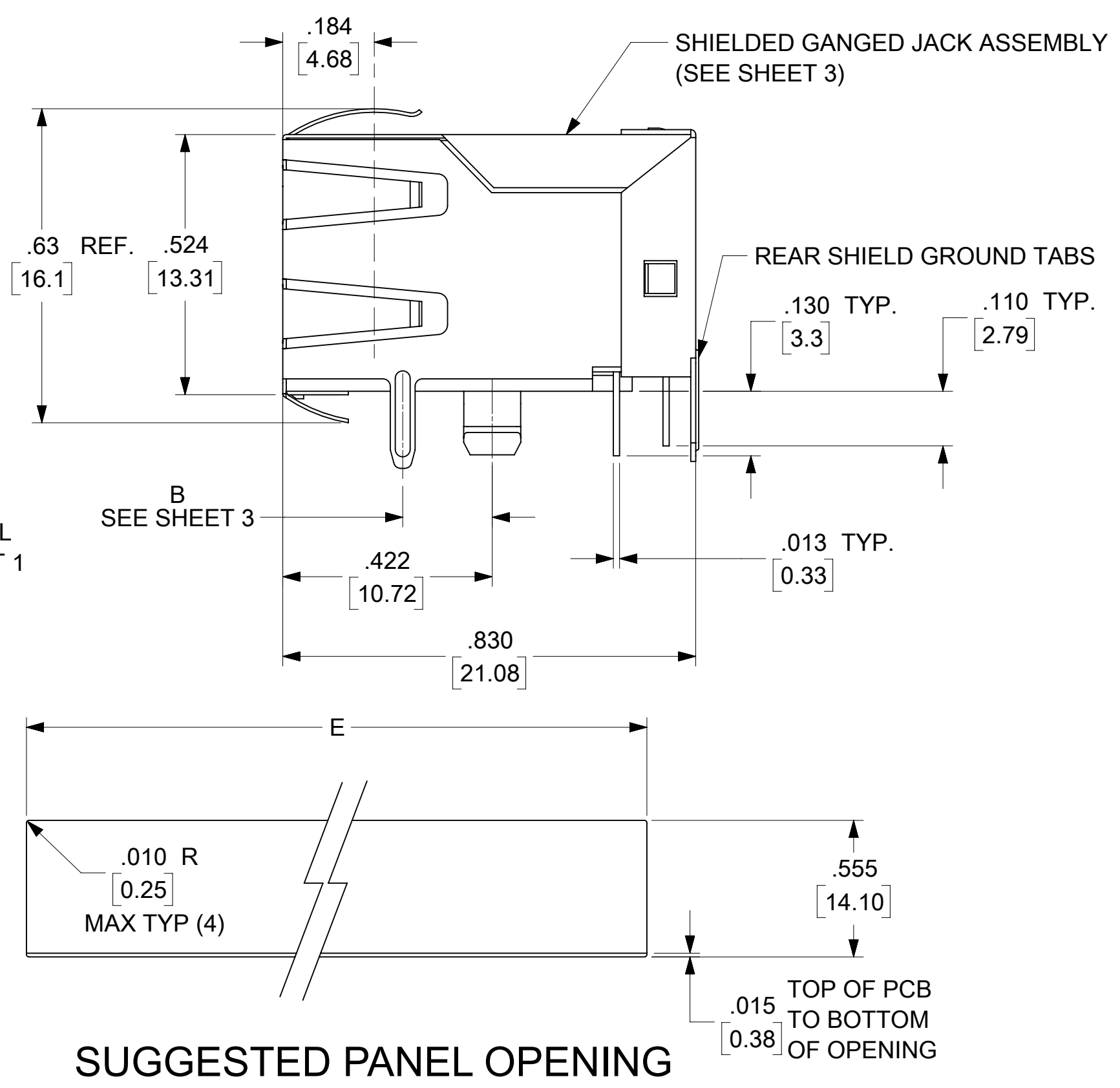
CIRCUIT SIZE	NO. OF PORTS	DIM. A	DIM. C	DIM. D
10	2	1.200 (30.48)	.450 (11.43)	1.000 (25.40)
8	2	1.200 (30.48)	.350 (8.89)	1.000 (25.40)
6	2	1.200 (30.48)	.250 (6.35)	1.000 (25.40)
10	3	1.750 (44.45)	.450 (11.43)	1.550 (39.37)
8	3	1.750 (44.45)	.350 (8.89)	1.550 (39.37)
6	3	1.750 (44.45)	.250 (6.35)	1.550 (39.37)
4	3	1.750 (44.45)	.150 (3.81)	1.550 (39.37)
10	4	2.300 (58.42)	.450 (11.43)	2.100 (53.34)
8	4	2.300 (58.42)	.350 (8.89)	2.100 (53.34)
4	4	2.300 (58.42)	.150 (3.81)	2.100 (53.34)
4	5	2.850 (72.39)	.150 (3.81)	2.650 (67.31)
10	5	2.850 (72.39)	.450 (11.43)	2.650 (67.31)
8	5	2.850 (72.39)	.350 (8.89)	2.650 (67.31)
10	6	3.400 (86.36)	.450 (11.43)	3.200 (81.28)
8	6	3.400 (86.36)	.350 (8.89)	3.200 (81.28)
10	8	4.500 (114.30)	.450 (11.43)	4.300 (109.22)
8	8	4.500 (114.30)	.350 (8.89)	4.300 (109.22)

THIS DRAWING CONTAINS INFORMATION THAT IS PROPRIETARY TO MOLEX ELECTRONIC TECHNOLOGIES, LLC AND SHOULD NOT BE USED WITHOUT WRITTEN PERMISSION

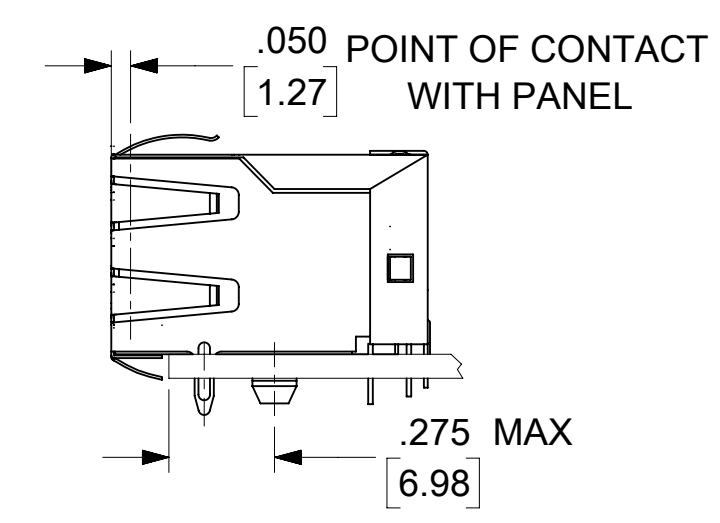
DIMENSION UNITS	SCALE	CURRENT REV DESC: REMOVED OBSOLETE PART NUMBER AS PER PCN#509457.	molex		
IN/MM	3:1				
GENERAL TOLERANCES (UNLESS SPECIFIED)			LOW PROFILE GANGED, RIGHT ANGLE MODULAR JACK ASSEMBLY		
4 PLACES	±	±	EC NO: 680890	2021/06/18	PRODUCT CUSTOMER DRAWING
3 PLACES	±	± 0.015	DRWN: SANTHN	2021/11/25	
2 PLACES	±	± 0.38	CHK'D: GGA	2021/11/25	
1 PLACE	±	±	APPR: GGA	2021/11/25	DOCUMENT NUMBER
0 PLACES	±	±	INITIAL REVISION:		SDA-43223
ANGULAR TOL	±	± 0.5 °	DRWN: JTR	1993/10/18	DOC TYPE
DRAFT WHERE APPLICABLE MUST REMAIN WITHIN DIMENSIONS			APPR: RAS	1993/10/18	PSD
			THIRD ANGLE PROJECTION		001
			DRAWING	SERIES	L
			C-SIZE	43223	SHEET NUMBER
			SEE SHT 3	GENERAL MARKET	1 OF 6



PEG DETAIL
SEE SHEET 1



SCALE : 2/1



**4 PORT 8 LOADED
8 JACK SHOWN**

- NOTES:
- MATERIAL:**
HOUSING: GLASS FILLED NYLON, UL94V-0, COLOR: BLACK
INSULATOR: GLASS FILLED NYLON, UL94V-0, COLOR: BLACK
TERMINALS: PHOSPHOR BRONZE: .012/ 0.30 THICK
SHIELD: BRASS, FRONT .007/ 0.18 THICK, REAR .010/ 0.25 THICK
 - FINISH:**
TERMINALS:
SELECT GOLD IN CONTACT AREA: 50 MICRONS/ 1.27 MICROMETERS MIN.,
*SELECT TIN IN PC TAIL AREA: 100 MICRONS/ 2.54 MICROMETERS MIN.,
WITH OVERALL NICKEL UNDERPLATE: 50 MICRONS/ 1.27 MICROMETERS MIN.
SHIELD:
*100 MICRONS/ 2.54 MICROMETERS NICKEL OVER 50 MICRONS/ 1.27 MICROMETERS COPPER UNDERPLATE. PCB GROUND TABS DIPPED IN TIN
*THE PRIMARY SHIPPING CARTON WILL BE LABELED "COMPLIANT TO RoHS DIRECTIVE 2002/95/EC AND ELV ANNEX II OF DIRECTIVE 2000/53/EC".
CARTONS WITHOUT THIS LABEL MAY CONTAIN PRODUCT WITH TIN-LEAD IN THE PC TAIL AND/OR SHIELD.
 - PRODUCT SPECIFICATION AND PROCESSING PARAMETERS:** PS-43223-001.
 - PACKAGING SPECIFICATION:**
SHIELDED CONNECTOR ASSEMBLIES PACKAGED IN TRAYS PER MOLEX PACKAGING SPECIFICATION PK-44150-004.
 - SEE SHEETS 4-6 FOR P.C. BOARD LAYOUTS.
 - REAR SHIELD IS AVAILABLE WITH (1) CENTERED GROUND TAB ON 4 & 8 PORT VERSIONS.
 - 8 CIRCUIT JACKS CENTERLINE TO CENTERLINE SPACING IS .550/ 13.97.
 - ALL UNTOLERANCED DIMENSIONS ARE SHOWN FOR REFERENCE ONLY.
 - THIS PART CONFORMS TO CLASS B REQUIREMENTS OF COSMETIC SPECIFICATION PS-45499-002.

HOUSING SIZE	CIRCUIT SIZE	NO. OF PORTS	DIM. A	DIM. C	DIM. D	DIM. E
8	8	2	1.224 (31.09)	.350 (8.89)	1.000 (25.40)	1.255 (31.88)
8	8	4	2.324 (59.03)	.350 (8.89)	2.100 (53.34)	2.355 (59.82)
8	8	6	3.424 (86.97)	.350 (8.89)	3.200 (81.28)	3.455 (87.76)
8	8	8	4.524 (114.91)	.350 (8.89)	4.300 (109.22)	4.555 (115.97)
8	2	8	4.524 (114.91)	.050 (1.27)	4.300 (109.22)	4.555 (115.97)

THIS DRAWING CONTAINS INFORMATION THAT IS PROPRIETARY TO MOLEX ELECTRONIC TECHNOLOGIES, LLC AND SHOULD NOT BE USED WITHOUT WRITTEN PERMISSION

DIMENSION UNITS IN/MM	SCALE 4:1	CURRENT REV DESC: REMOVED OBSOLETE PART NUMBER AS PER PCN#509457.	molex			
GENERAL TOLERANCES (UNLESS SPECIFIED)		EC NO: 680890				LOW PROFILE GANGED, RIGHT ANGLE MODULAR JACK ASSEMBLY
4 PLACES ±	±	DRWN: SANTHN	PRODUCT CUSTOMER DRAWING			
3 PLACES ±	± 0.015	CHK'D: GGA	DOCUMENT NUMBER	DOC TYPE	DOC PART	REVISION
2 PLACES ±	± 0.38	APPR: GGA	SDA-43223	PSD	001	L
1 PLACE ±	±	INITIAL REVISION:	MATERIAL NUMBER	CUSTOMER	SHEET NUMBER	
0 PLACES ±	±	DRWN: JTR	SEE SHT 3	GENERAL MARKET	2 OF 6	
ANGULAR TOL ± 0.5 °		APPR: RAS				
DRAFT WHERE APPLICABLE MUST REMAIN WITHIN DIMENSIONS	THIRD ANGLE PROJECTION	DRAWING				
		C-SIZE				
		43223				

FLANGELESS (SHIELDED)

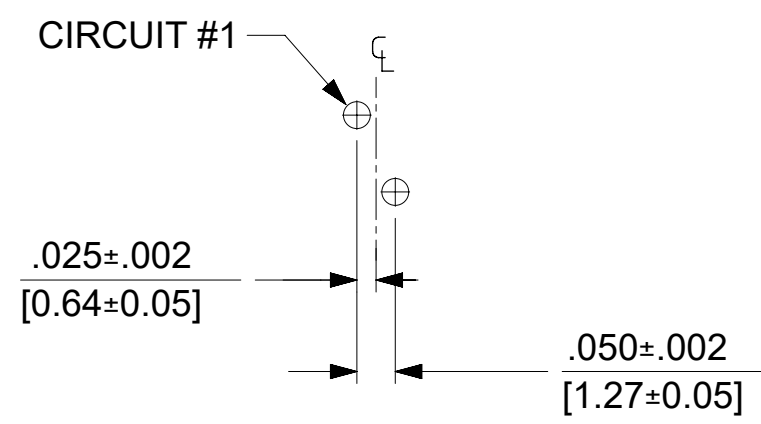
ASSEMBLY NUMBER	DIMENSION "B"	CONNECTOR SIZE	NUMBER OF CIRCUITS	NUMBER OF PORTS	NUMBER OF REAR SHIELD GROUND TABS	PACKAGING STYLE	PACKAGING SPECIFICATION
43223-8128	.180	8	8	2	1	TRAY	PK-44150-004
43223-8146	.180	8	8	4	3	↑	↑
43223-8164	.180	8	8	6	5	↑	↑
43223-8182	.180	8	8	8	7	↓	↓
43223-8185	.180	8	8	8	1	↓	↓
43223-8194	.180	8	2	8	7	TRAY	PK-44150-004
43223-8307	.145	8	2	8	7	TRAY	PK-44150-004

FLANGELESS (UNSHIELDED)

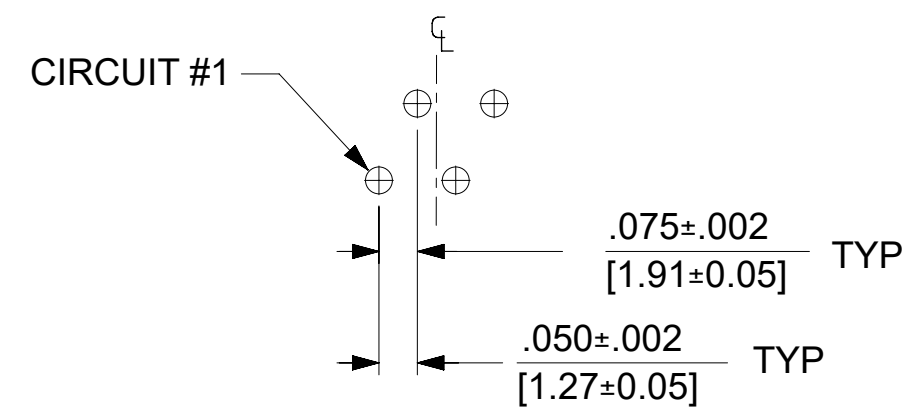
ASSEMBLY NUMBER	CONNECTOR SIZE	NUMBER OF CIRCUITS	NUMBER OF PORTS	PACKAGING STYLE	PACKAGING SPECIFICATION
43223-6101	6	6	2	TRAY	PK-43249-004
43223-6107	6	6	4	↑	↑
43223-6113	6	6	6	↑	↑
43223-6122	6	4	2		
43223-6128	6	4	4		
43223-6140	6	4	8		
43223-6155	6	2	6	↓	↓
43223-6158	6	2	8	TRAY	PK-43249-004
43223-8122	8	8	2	TRAY	PK-43249-004
43223-8140	8	8	4	↑	↑
43223-8158	8	8	6	↓	↓
43223-8176	8	8	8	TRAY	PK-43249-004

SNAP FIT PEG VERSIONS

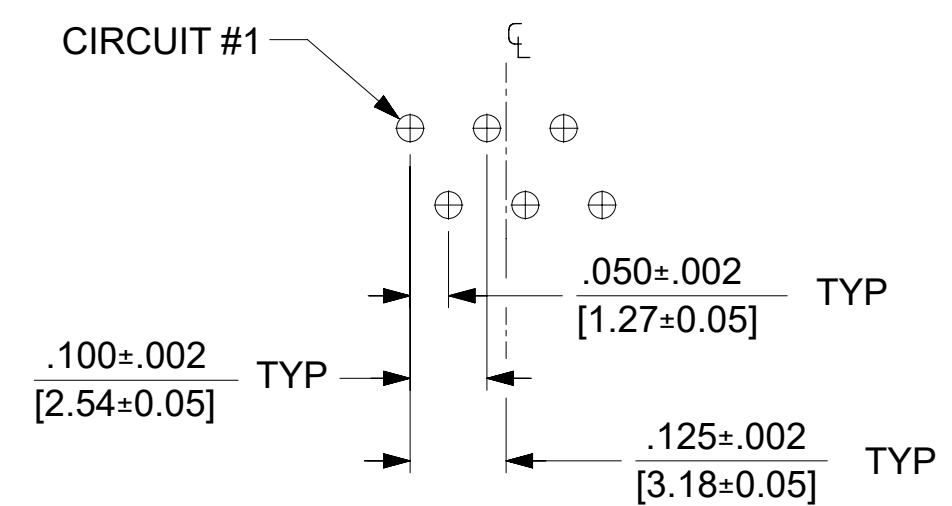
THIS DRAWING CONTAINS INFORMATION THAT IS PROPRIETARY TO MOLEX ELECTRONIC TECHNOLOGIES, LLC AND SHOULD NOT BE USED WITHOUT WRITTEN PERMISSION									
DIMENSION UNITS		SCALE		CURRENT REV DESC: REMOVED OBSOLETE PART NUMBER AS PER PCN#509457.				molex	
IN/MM		2:1							
GENERAL TOLERANCES (UNLESS SPECIFIED)				EC NO: 680890				PRODUCT CUSTOMER DRAWING	
				DRWN: SANTHN 2021/06/18					
4 PLACES		±		CHK'D: GGA 2021/11/25				DOCUMENT NUMBER	
3 PLACES		± 0.015		APPR: GGA 2021/11/25					
2 PLACES		± 0.38		INITIAL REVISION:				SDA-43223	
1 PLACE		±		DRWN: JTR 1993/10/18					
0 PLACES		±		APPR: RAS 1993/10/18				DOC TYPE	
ANGULAR TOL		± 0.5 °		THIRD ANGLE PROJECTION				DOC PART	
DRAFT WHERE APPLICABLE MUST REMAIN WITHIN DIMENSIONS				DRAWING		SERIES		REVISION	
				C-SIZE		43223		L	
MATERIAL NUMBER				CUSTOMER				SHEET NUMBER	
SEE SHT 3				GENERAL MARKET				3 OF 6	



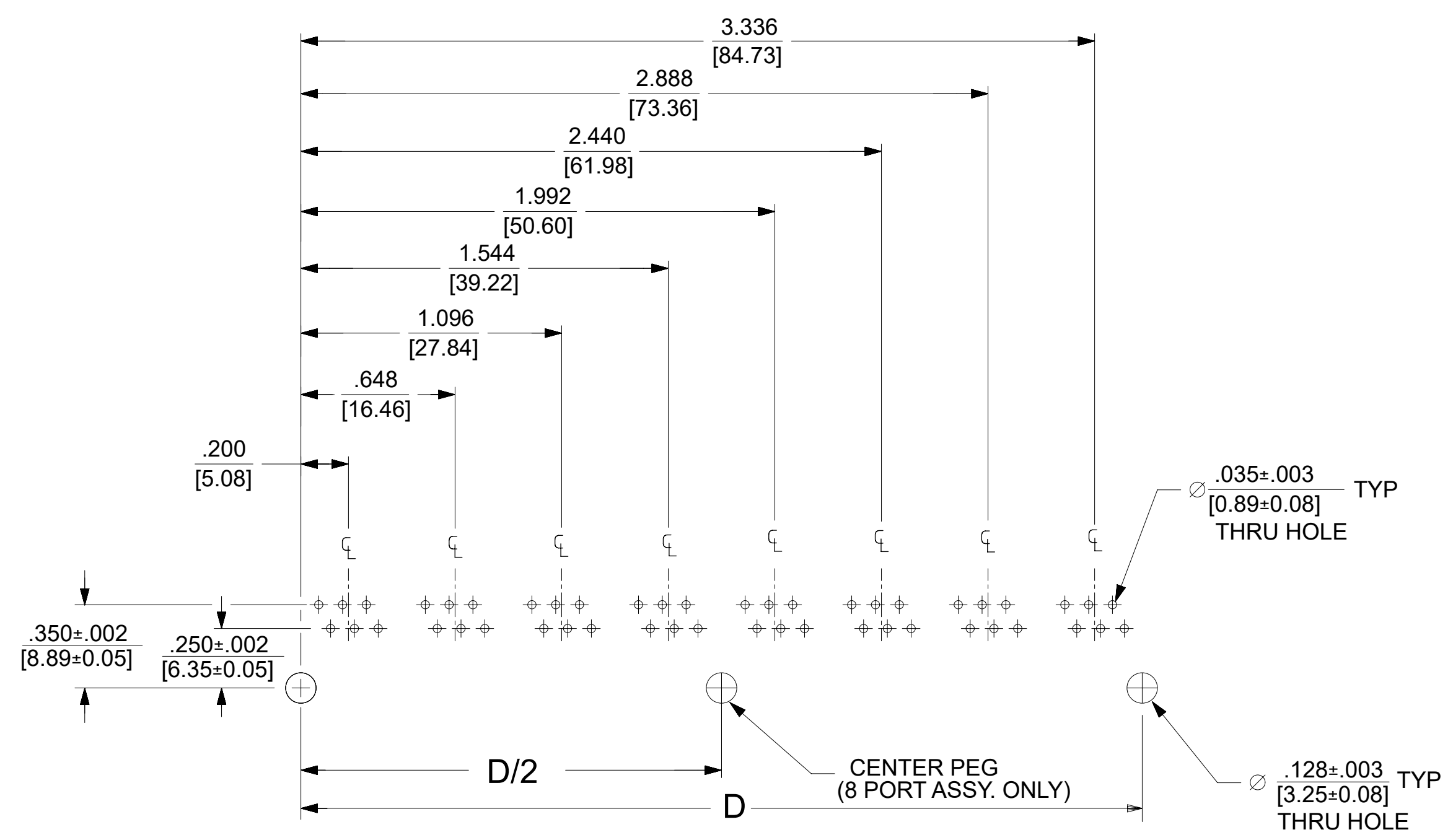
6 LOADED 2 DETAIL
SCALE: 4/1



6 LOADED 4 DETAIL
SCALE: 4/1



6 LOADED 6 DETAIL
SCALE: 4/1



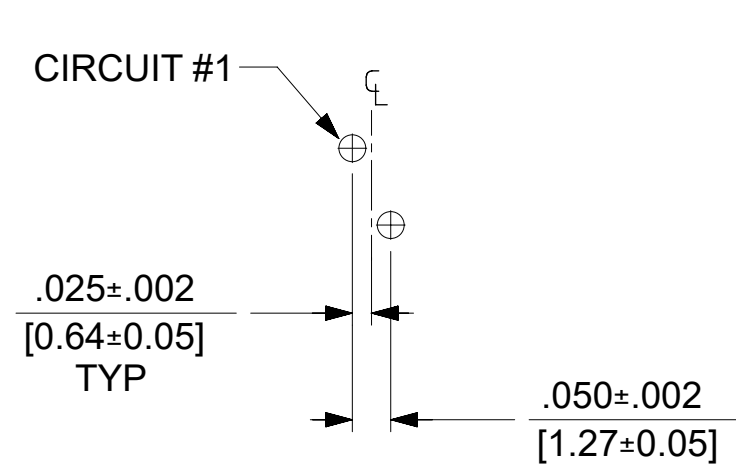
SUGGESTED P.C. BOARD LAYOUT
COMPONENT SIDE OF BOARD
8 PORT, 6 LOADED 6, LAYOUT SHOWN
(SNAP-FIT VERSIONS)

NOTES:
1. RECOMMENDED PCB THICKNESS: .062±.005/(1.57±0.13)

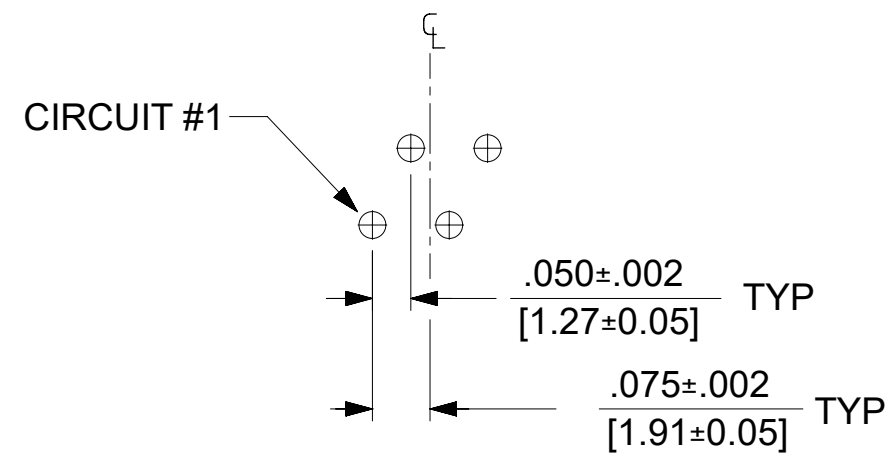
NUMBER OF PORTS	DIM. D
2	.848 (21.54)
3	1.296 (32.92)
4	1.744 (44.30)
5	2.192 (55.68)
6	2.640 (67.06)
8	3.536 (89.81)

THIS DRAWING CONTAINS INFORMATION THAT IS PROPRIETARY TO MOLEX ELECTRONIC TECHNOLOGIES, LLC AND SHOULD NOT BE USED WITHOUT WRITTEN PERMISSION

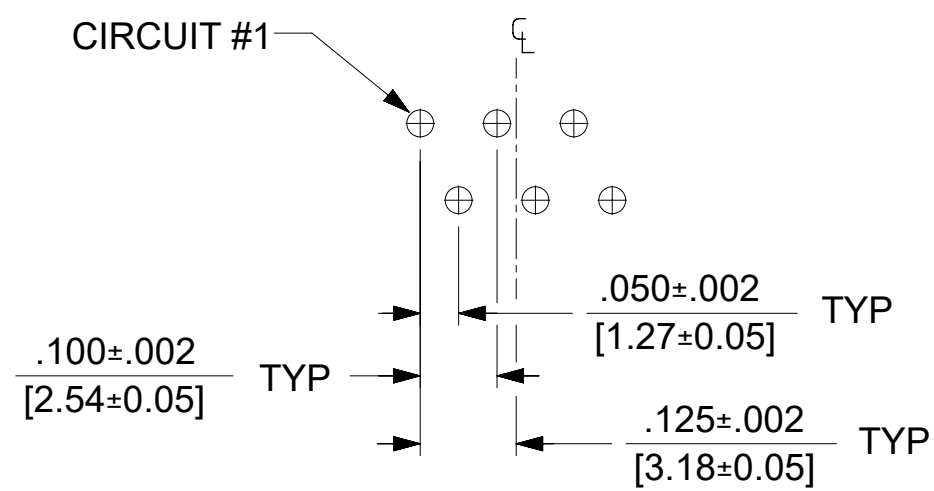
DIMENSION UNITS	SCALE	CURRENT REV DESC: REMOVED OBSOLETE PART NUMBER AS PER PCN#509457.	molex		
IN/MM	2:1				
GENERAL TOLERANCES (UNLESS SPECIFIED)			LOW PROFILE GANGED, RIGHT ANGLE MODULAR JACK ASSEMBLY		
	MM	INCH	EC NO: 680890	PRODUCT CUSTOMER DRAWING	
4 PLACES	±	±	DRWN: SANTHN	2021/06/18	DOCUMENT NUMBER
3 PLACES	±	± 0.015	CHK'D: GGA	2021/11/25	
2 PLACES	± 0.38	±	APPR: GGA	2021/11/25	DOC TYPE
1 PLACE	±	±	INITIAL REVISION:		DOC PART
0 PLACES	±	±	DRWN: JTR	1993/10/18	REVISION
ANGULAR TOL	± 0.5 °		APPR: RAS	1993/10/18	PSD 001 L
DRAFT WHERE APPLICABLE MUST REMAIN WITHIN DIMENSIONS	THIRD ANGLE PROJECTION		DRAWING	SERIES	MATERIAL NUMBER
			C-SIZE	43223	SEE SHT 3
			CUSTOMER	GENERAL MARKET	
			SHEET NUMBER		4 OF 6



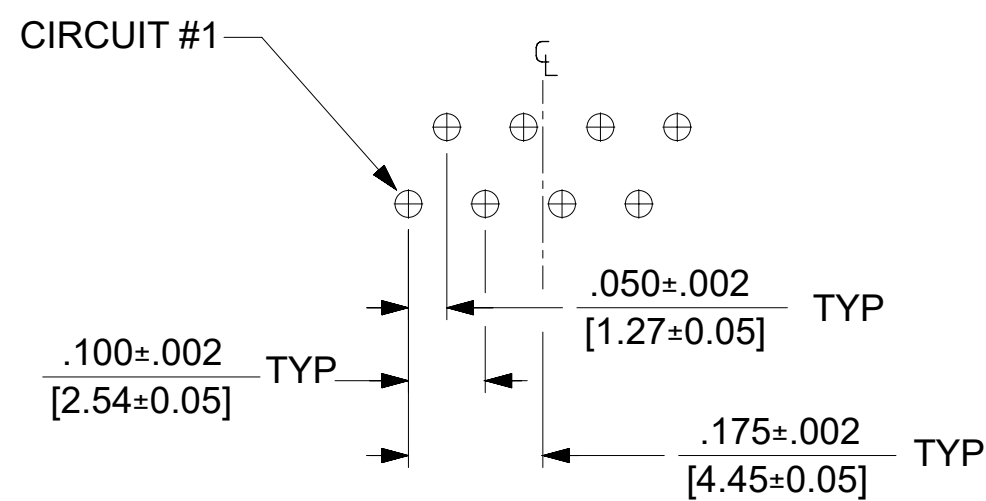
8 LOADED 2 DETAIL
SCALE: 4/1



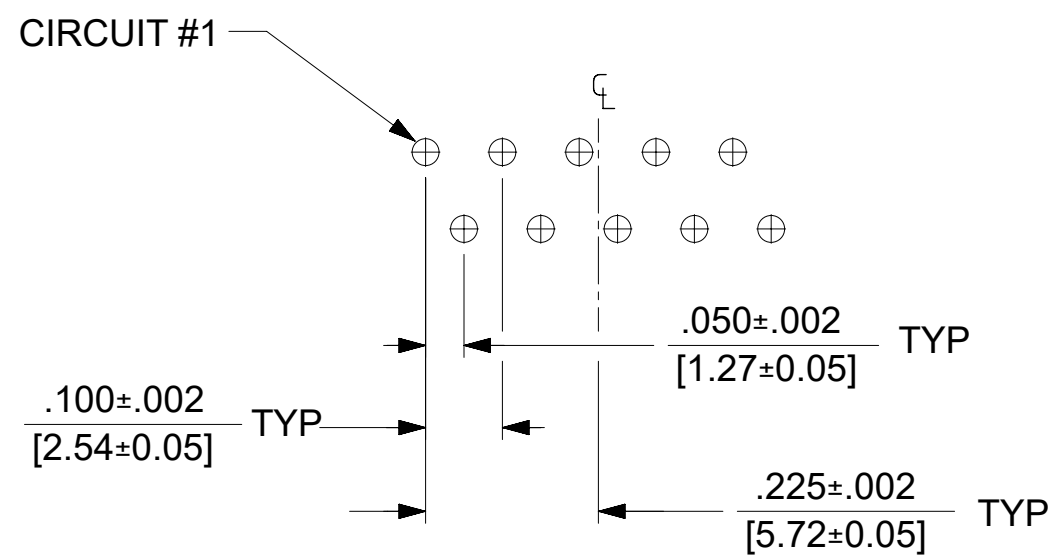
8 LOADED 4 DETAIL
SCALE: 4/1



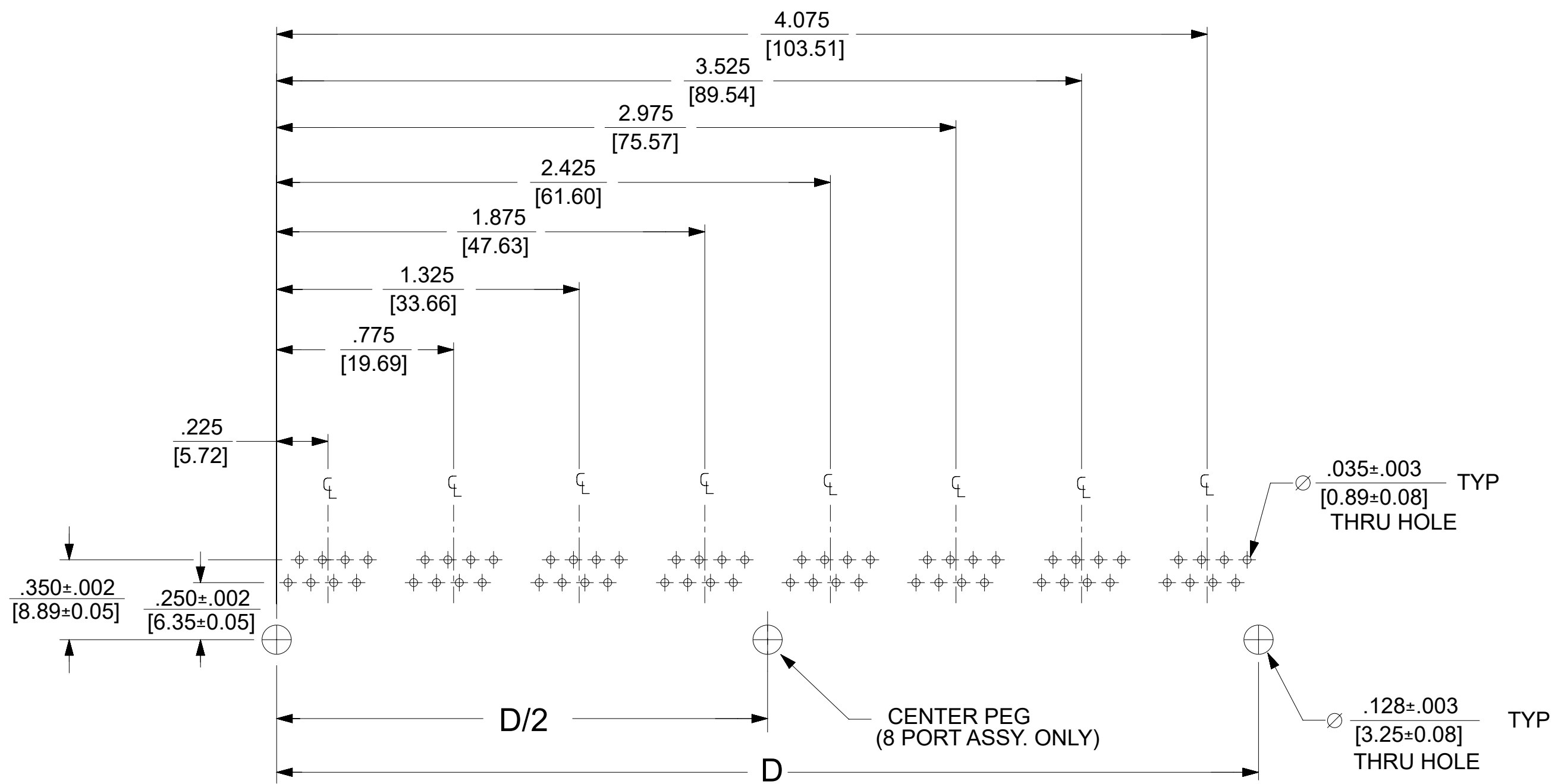
8 LOADED 6 DETAIL
SCALE: 4/1



8 LOADED 8 DETAIL
SCALE: 4/1



8 LOADED 10 DETAIL
SCALE: 4/1

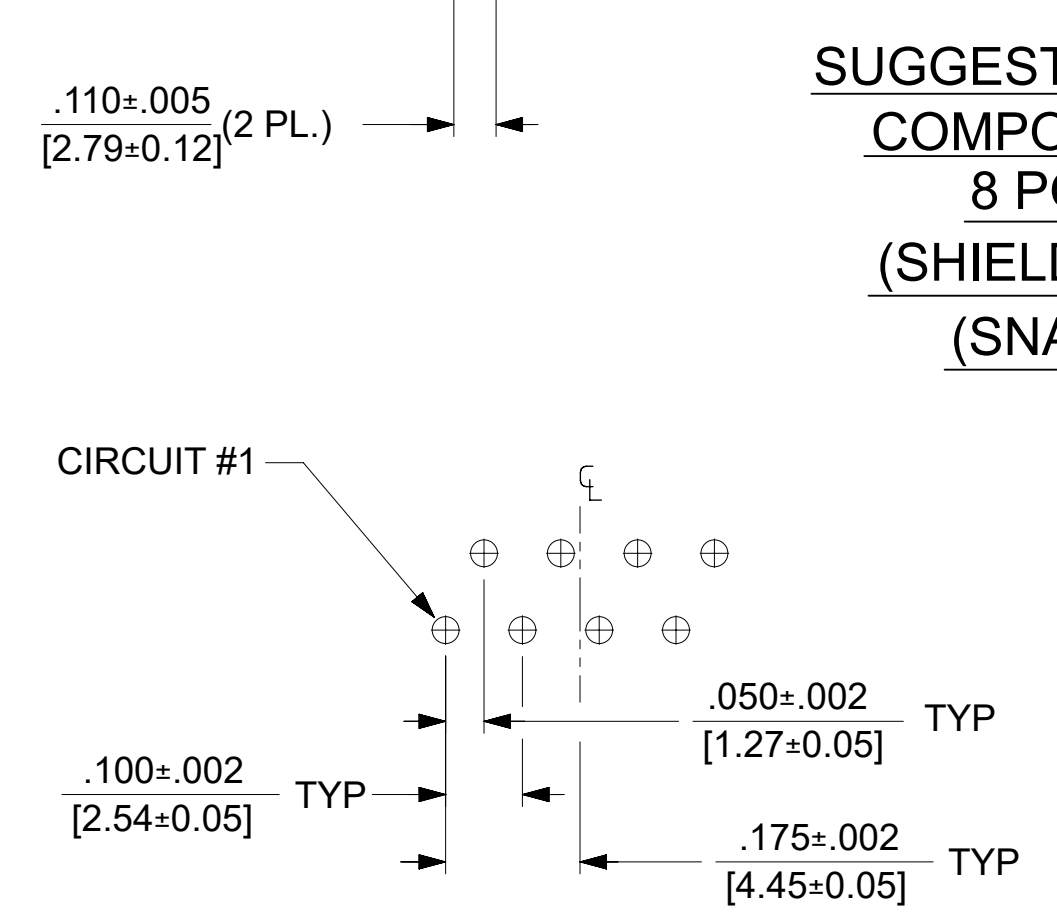
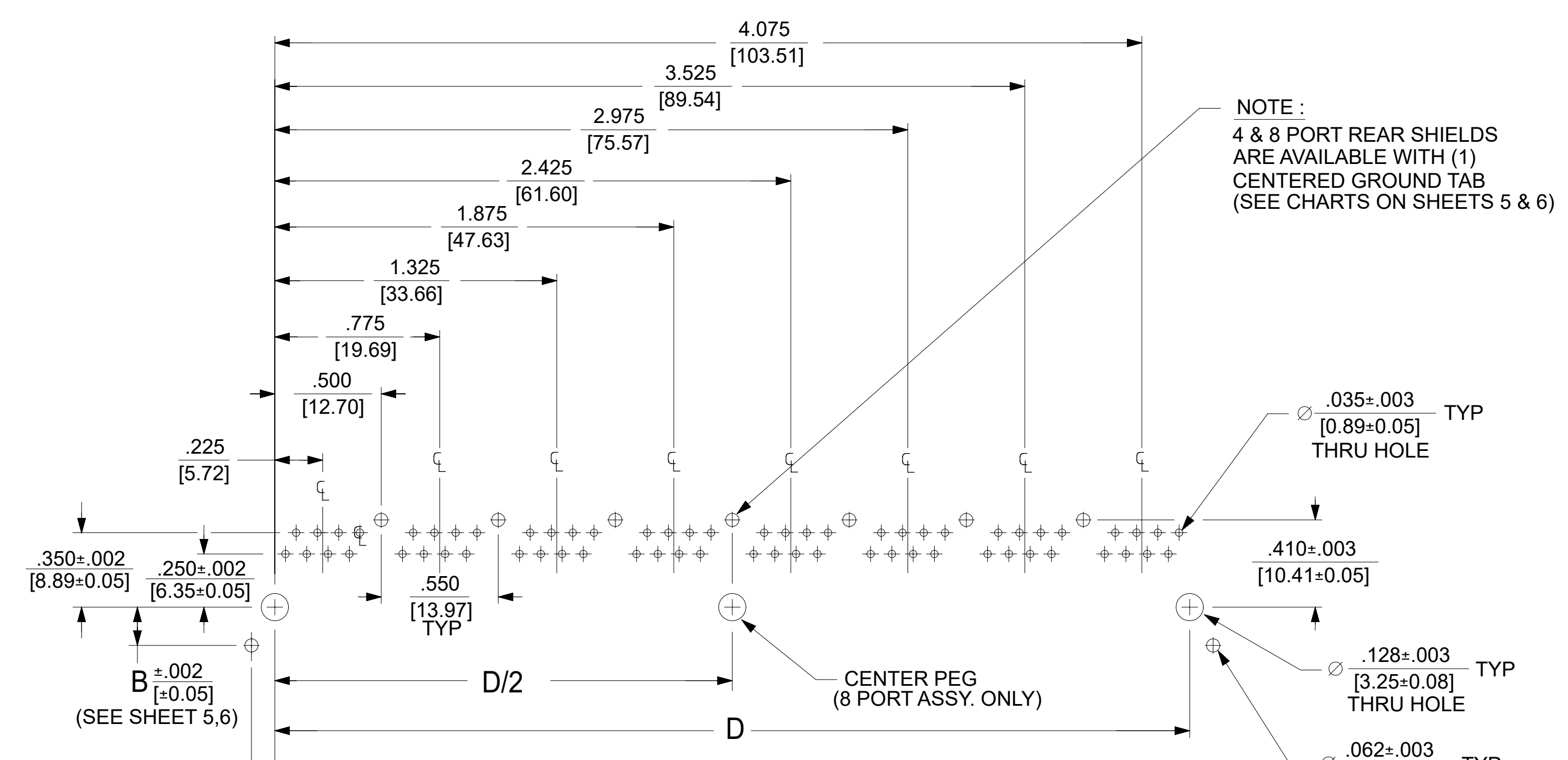
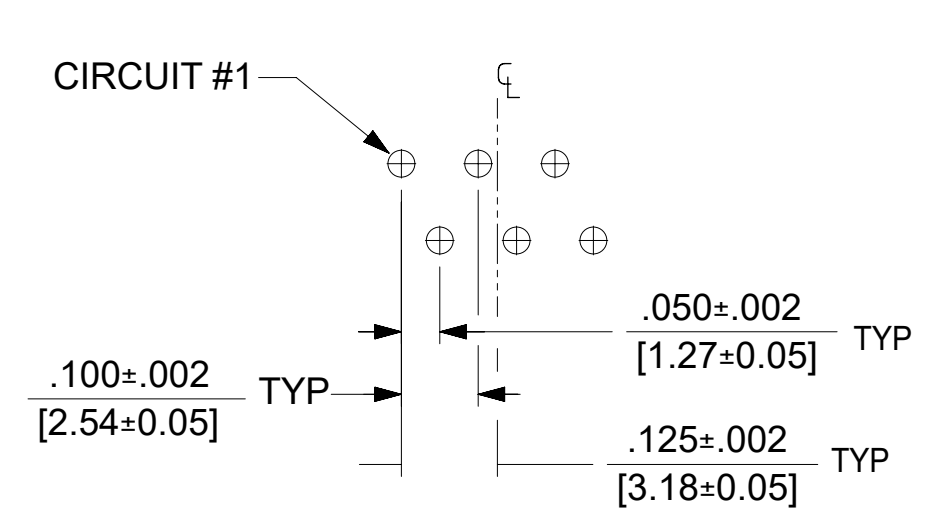
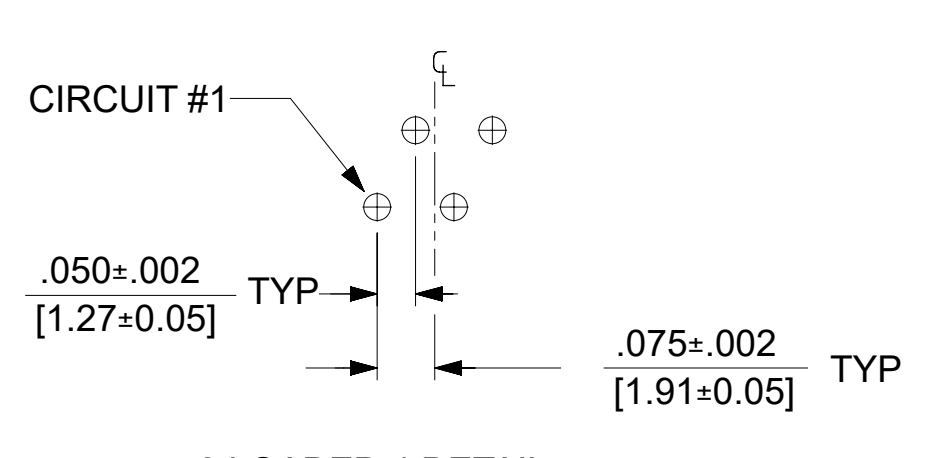
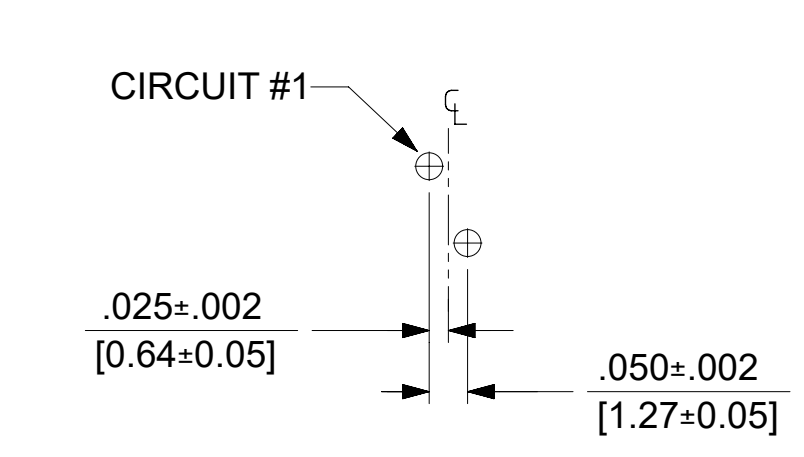


**SUGGESTED P.C. BOARD LAYOUT
COMPONENT SIDE OF BOARD
8 PORT, 8 LOADED 8
(SNAP-FIT VERSIONS)**

NOTES:
1. RECOMMENDED PCB THICKNESS: .062±.005/(1.57±0.13)

NUMBER OF PORTS	DIM. D
2	1.000 (25.40)
3	1.550 (39.37)
4	2.100 (53.34)
5	2.650 (67.31)
6	3.200 (81.28)
8	4.300 (109.32)

THIS DRAWING CONTAINS INFORMATION THAT IS PROPRIETARY TO MOLEX ELECTRONIC TECHNOLOGIES, LLC AND SHOULD NOT BE USED WITHOUT WRITTEN PERMISSION									
DIMENSION UNITS IN/MM		SCALE 2:1		CURRENT REV DESC: REMOVED OBSOLETE PART NUMBER AS PER PCN#509457.					
GENERAL TOLERANCES (UNLESS SPECIFIED)				EC NO: 680890		2021/06/18		<p>LOW PROFILE GANGED, RIGHT ANGLE MODULAR JACK ASSEMBLY</p>	
4 PLACES ±		±		DRWN: SANTHN		2021/11/25			
3 PLACES ±		± 0.015		CHK'D: GGA		2021/11/25			
2 PLACES ±		0.38 ±		APPR: GGA		2021/11/25			
1 PLACE ±		±		INITIAL REVISION:				PRODUCT CUSTOMER DRAWING	
0 PLACES ±		±		DRWN: JTR		1993/10/18		DOCUMENT NUMBER	
ANGULAR TOL ± 0.5 °		THIRD ANGLE PROJECTION		APPR: RAS		1993/10/18		SDA-43223	
DRAFT WHERE APPLICABLE MUST REMAIN WITHIN DIMENSIONS		DRAWING		SERIES		MATERIAL NUMBER		CUSTOMER	
		C-SIZE		43223		SEE SHT 3		GENERAL MARKET	
								PSD 001 L	
								SHEET NUMBER	
								5 OF 6	



NOTES:
1. RECOMMENDED PCB THICKNESS: .062±.005/(1.57±0.13)

NUMBER OF PORTS	DIM. D
2	1.000 (25.40)
4	2.100 (53.34)
6	3.200 (81.28)
8	4.300 (109.32)

THIS DRAWING CONTAINS INFORMATION THAT IS PROPRIETARY TO MOLEX ELECTRONIC TECHNOLOGIES, LLC AND SHOULD NOT BE USED WITHOUT WRITTEN PERMISSION												
DIMENSION UNITS IN/MM		SCALE 2:1		CURRENT REV DESC: REMOVED OBSOLETE PART NUMBER AS PER PCN#509457.						molex		
GENERAL TOLERANCES (UNLESS SPECIFIED)				EC NO: 680890		DRWN: SANTHN 2021/06/18		PRODUCT CUSTOMER DRAWING				
4 PLACES ±		±		DRWN: GGA 2021/11/25		CHK'D: GGA 2021/11/25				DOCUMENT NUMBER		DOC TYPE
3 PLACES ±		± 0.015		APPR: GGA 2021/11/25		INITIAL REVISION:		SDA-43223		PSD	001	L
2 PLACES ±		0.38 ±		DRWN: JTR 1993/10/18		DRWN: JTR 1993/10/18		MATERIAL NUMBER		CUSTOMER		SHEET NUMBER
1 PLACE ±		±		APPR: RAS 1993/10/18		THIRD ANGLE PROJECTION		DRAWING	SERIES	SEE SHT 3	GENERAL MARKET	6 OF 6
0 PLACES ±		±		DRAFT WHERE APPLICABLE MUST REMAIN WITHIN DIMENSIONS		C-SIZE		43223				