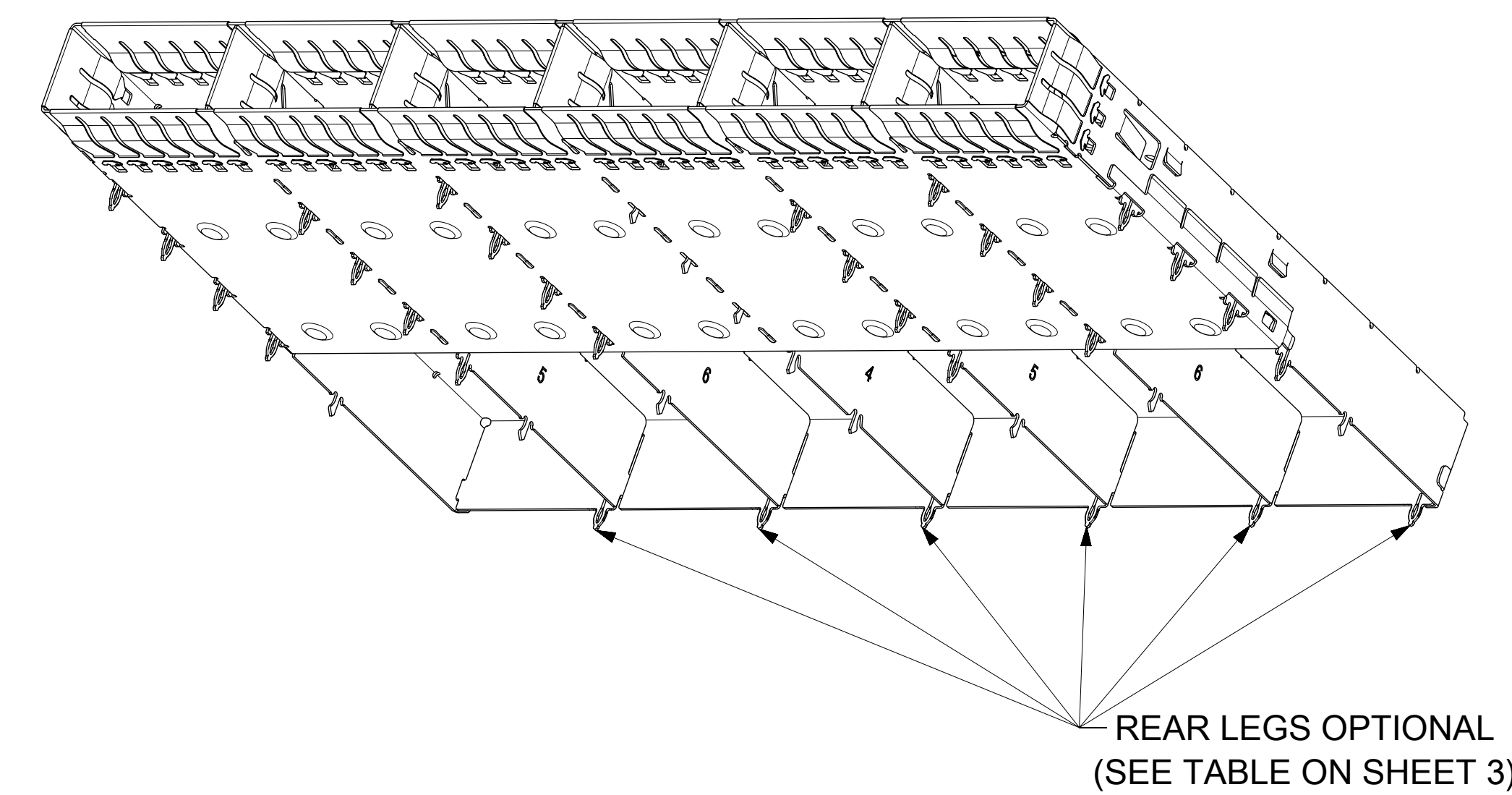
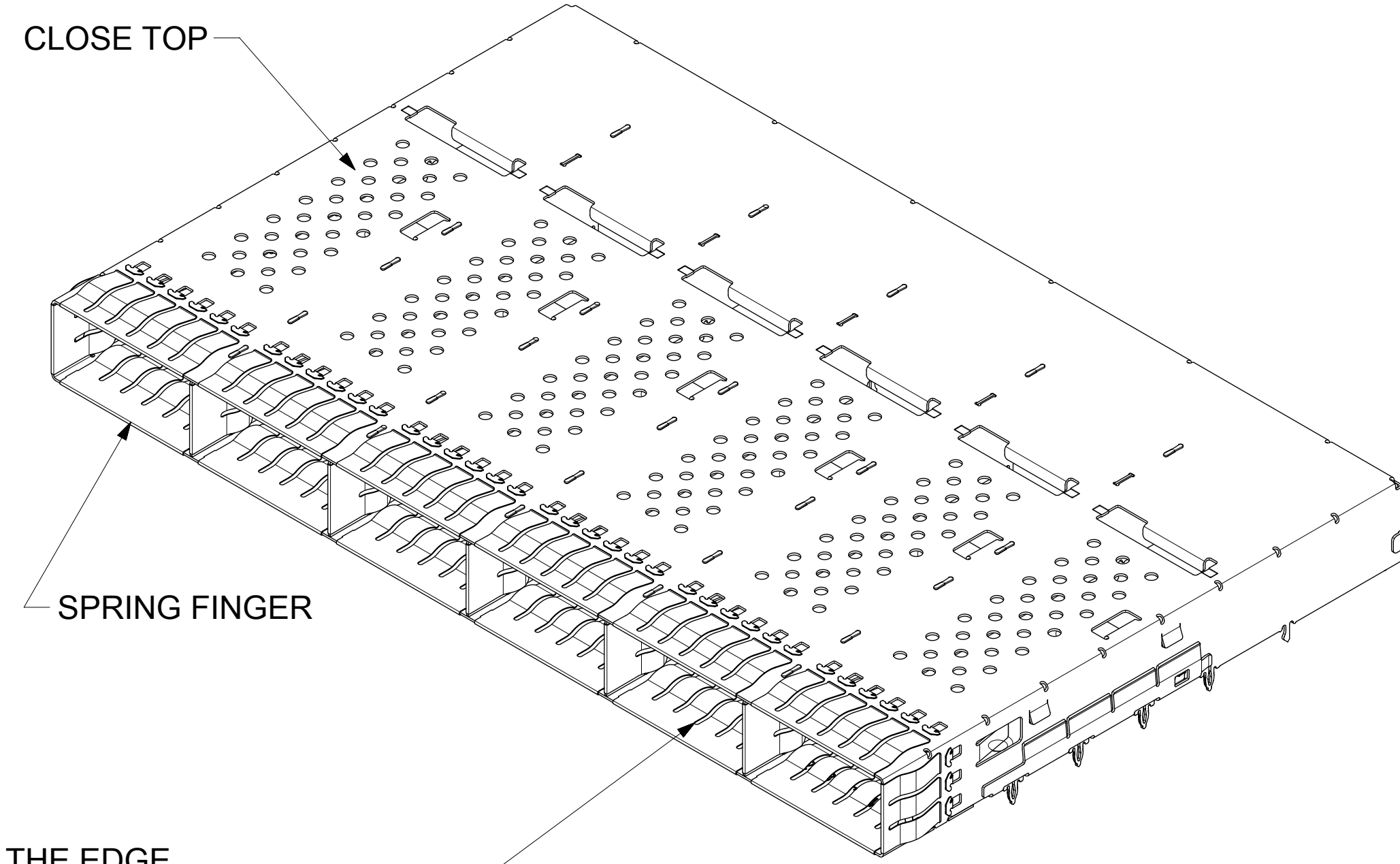
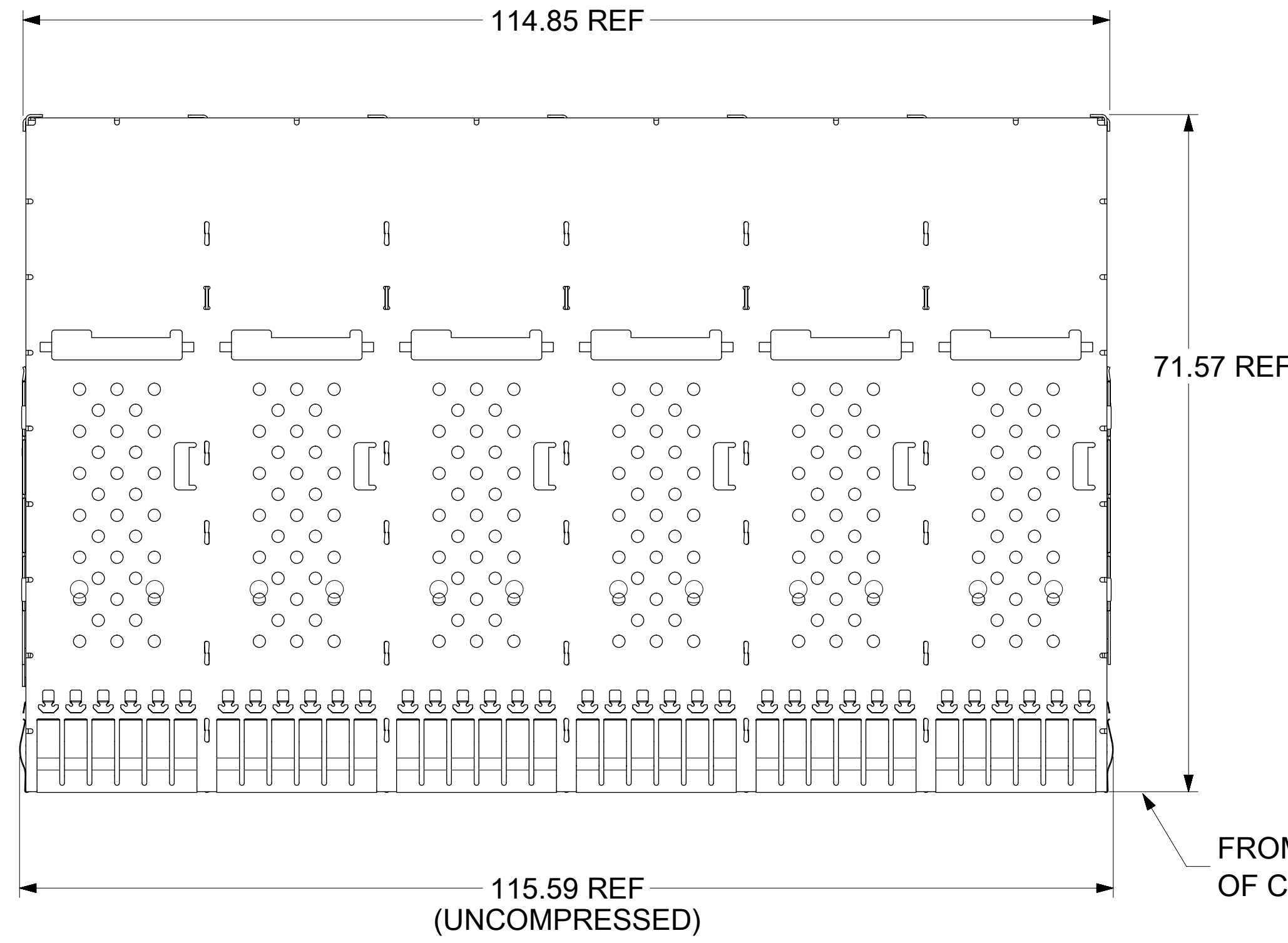
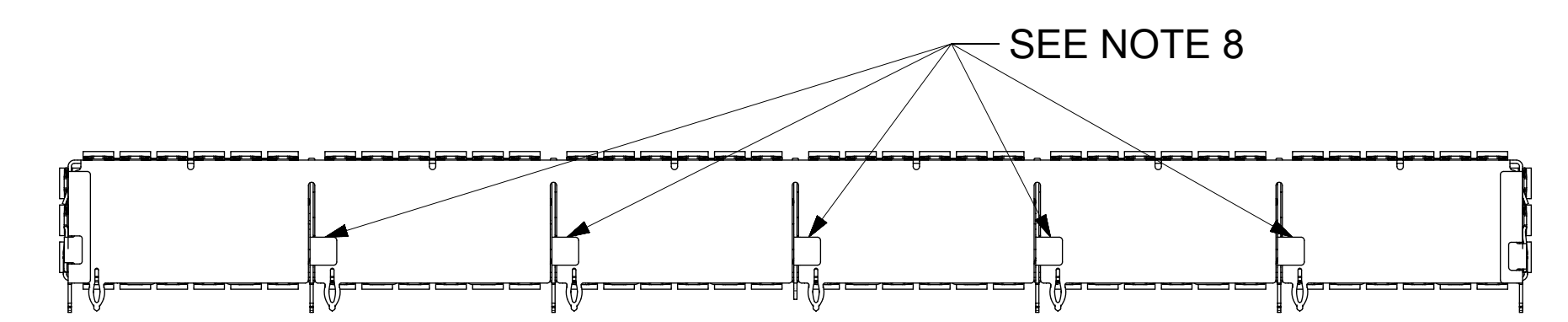
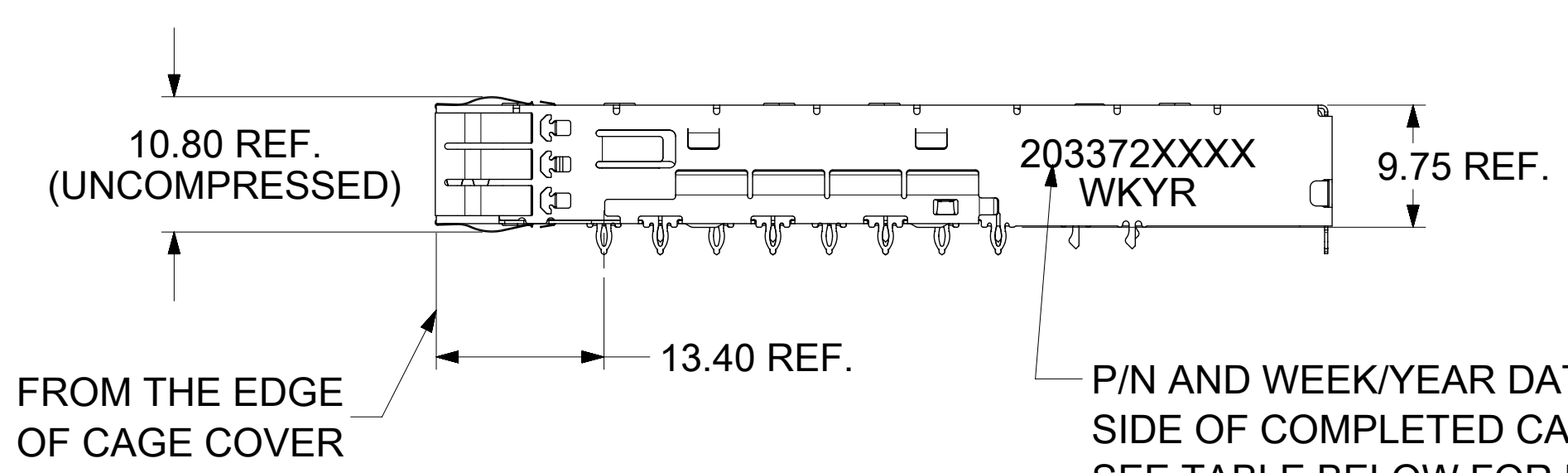
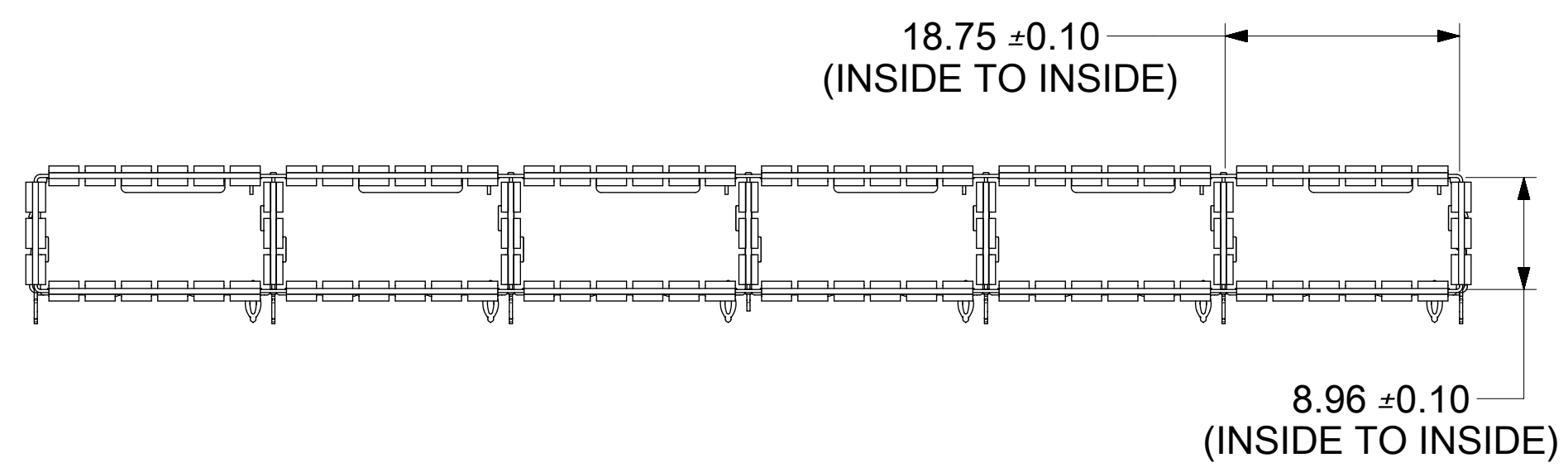


BASE CAGE DETAILS

2033721244 SHOWN



DIMENSIONS OF EACH INNER CAGE DESIGNED TO FUNCTION WITH QUAD SMALL FORM-FACTOR (zQSFP+ & QSFP-DD) TRANSCEIVER



P/N AND WEEK/YEAR DATE CODE TO BE PRINTED ON SIDE OF COMPLETED CAGE ASSEMBLY APPROXIMATELY AS SHOWN. SEE TABLE BELOW FOR DATE CODE INFORMATION.

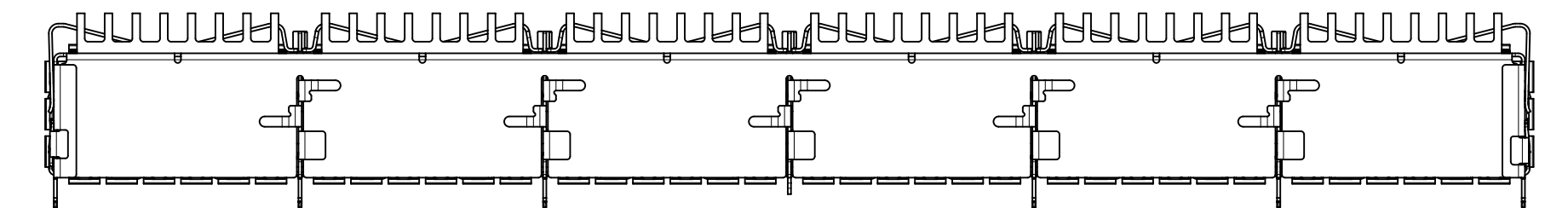
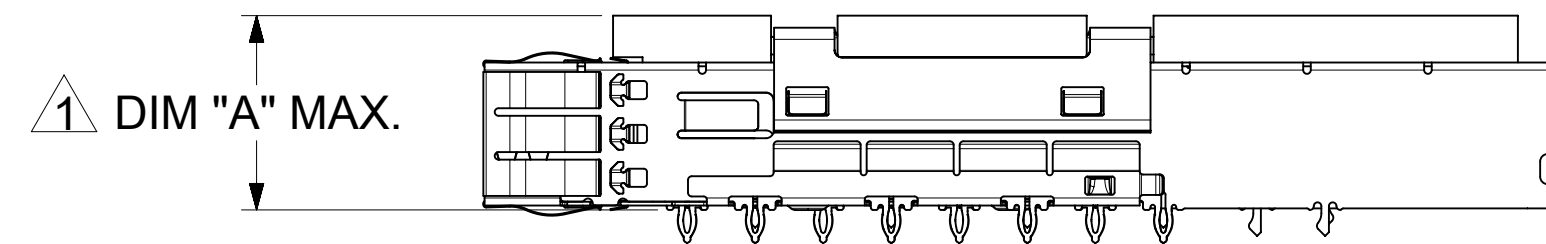
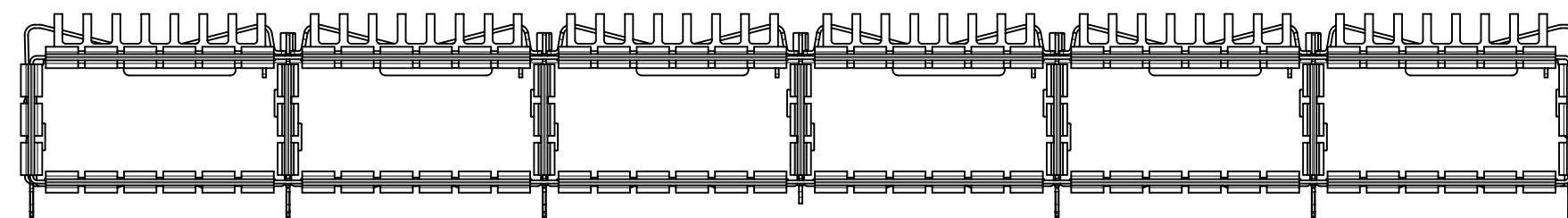
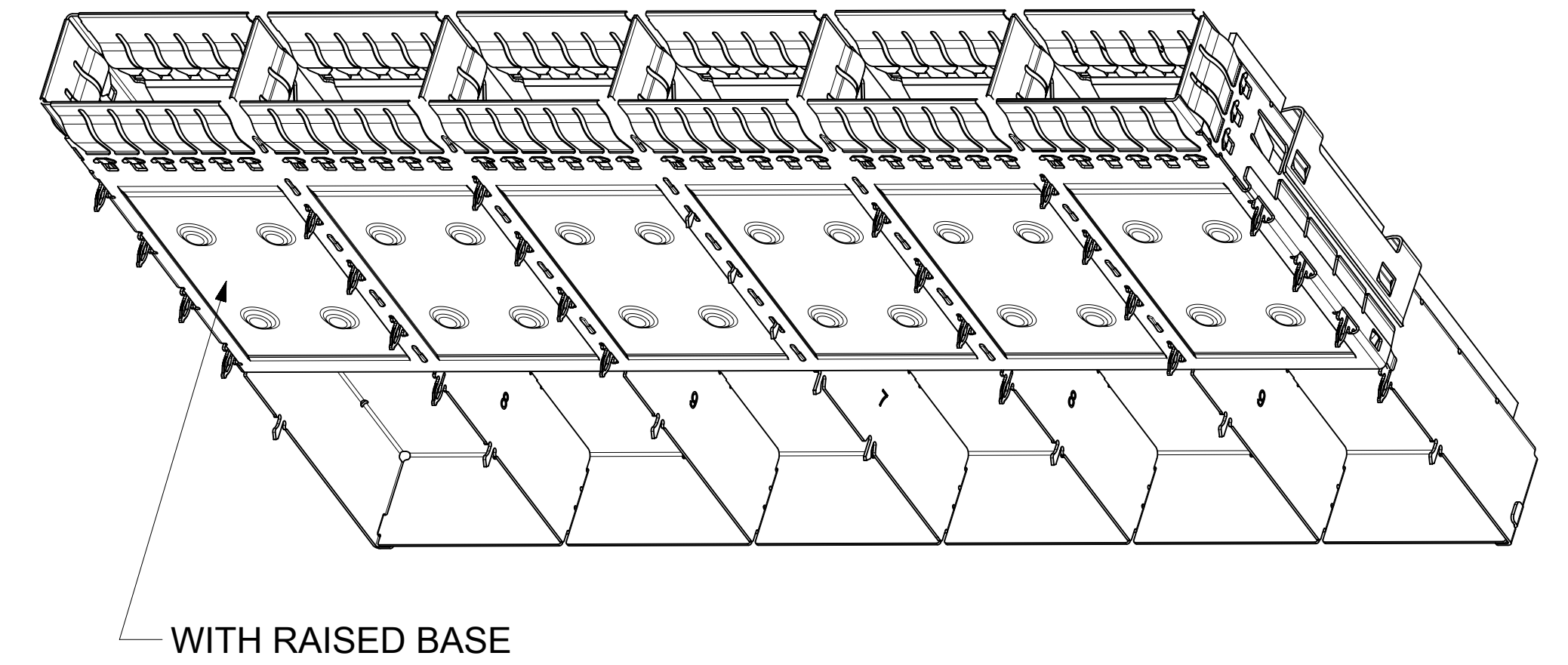
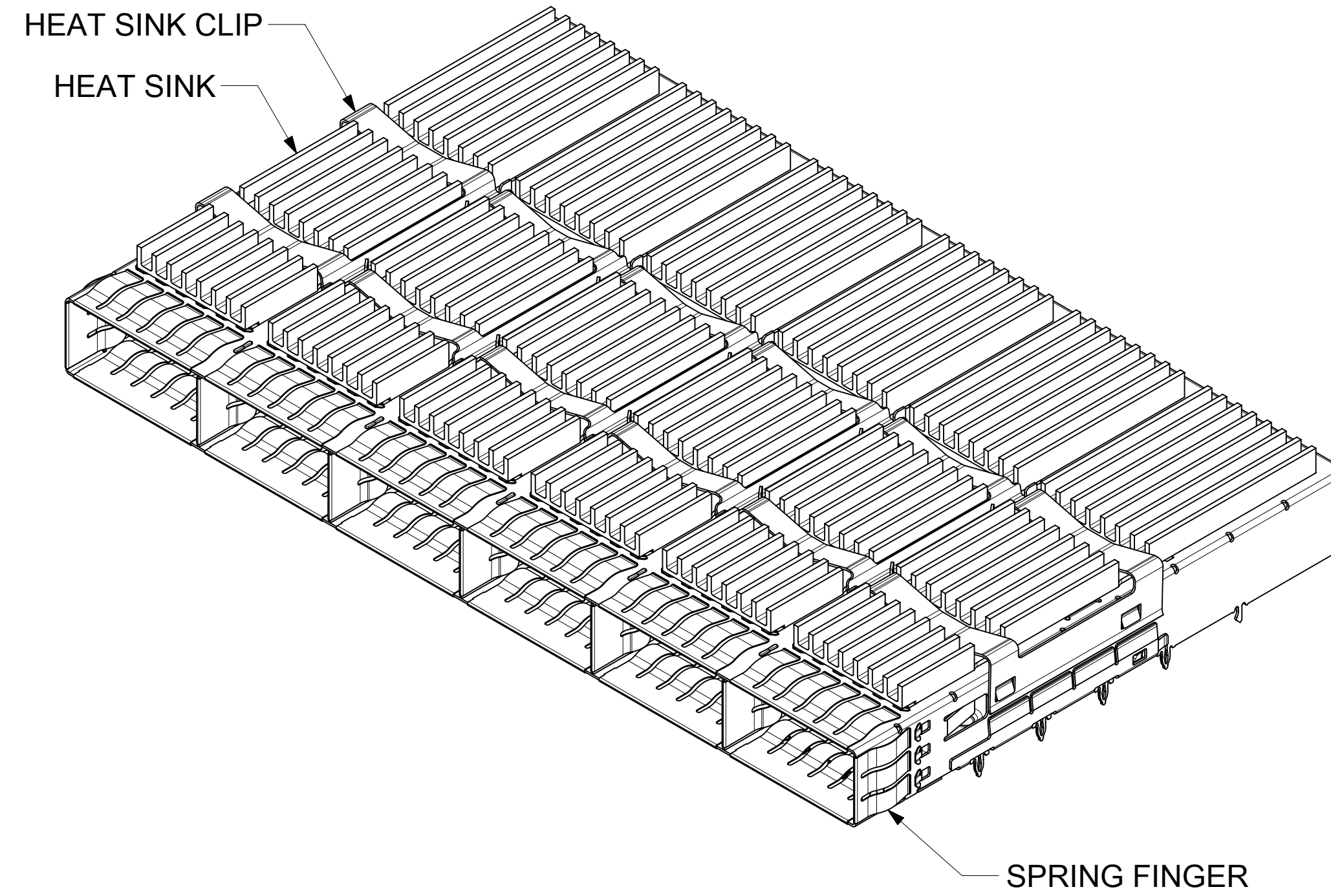
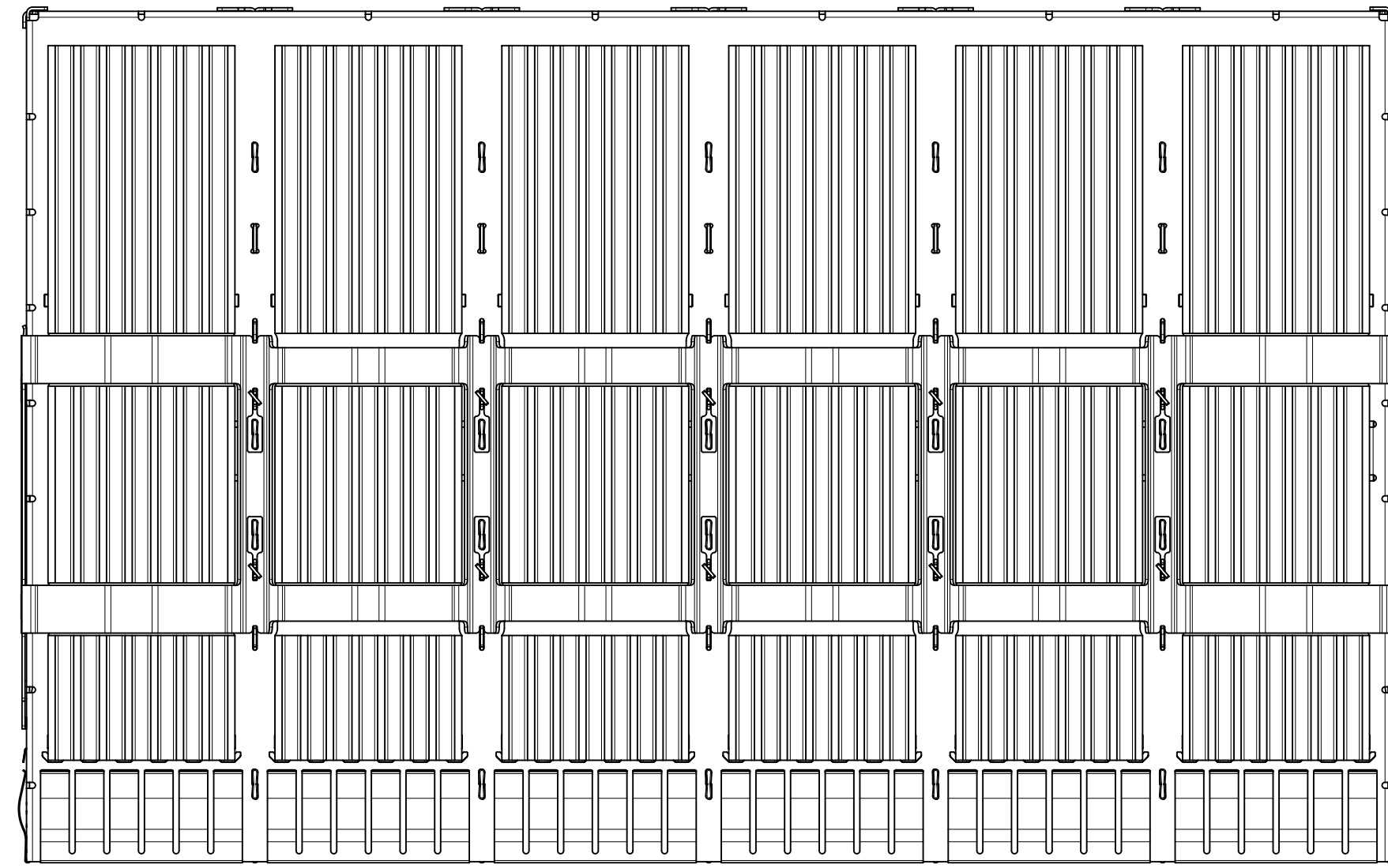
- NOTES:**
- MATERIAL: CAGE: STAINLESS STEEL
CENTER WALLS: STAINLESS STEEL
SPRING FINGERS: STAINLESS STEEL
HEAT SINK: ALUMINUM(BLACK ANODIZATION)
HEAT SINK CLIP: STAINLESS STEEL
 - DRAWING APPLIES TO ALL P/N'S SHOWN ON PAGE 3
 - DURING FINAL INSPECTION, CAGE LEG LOCATIONS AND STRAIGHTNESS MUST BE CHECKED USING APPROPRIATE GO - NO GO GAGE
 - DURING FINAL INSPECTION, CAGE MUST BE INSPECTED TO MAKE SURE LEG CONFIGURATIONS AND PART NUMBERS ARE CORRECT, REFER TO SHEETS 3.
 - PARTS TO BE INSPECTED PER MOLEX COSMETIC SPEC WI-HP-7-2774 (CLASS B UNLESS OTHERWISE SPECIFIED)
 - PRESS-FIT LEGS 2.20mm LONG -
1.57mm MINIMUM PCB THICKNESS FOR SINGLE SIDED USE.
2.70mm MINIMUM PCB THICKNESS FOR BELLY TO BELLY USE.
 - NO RoHS EXEMPTIONS.
 - WELD SPOT MAY SHOW SLIGHT MATERIAL DISCOLORATION.

WEEK/YEAR DATE CODE TABLE	
WK	WEEK OF THE YEAR 01 THRU 52 OR 53 (EXAMPLE: 01= FIRST WEEK OF YEAR, 52 OR 53 = LAST WEEK OF YEAR)
YR	17, 18, 19 ETC.. (EXAMPLE: YEAR 2017= 17)

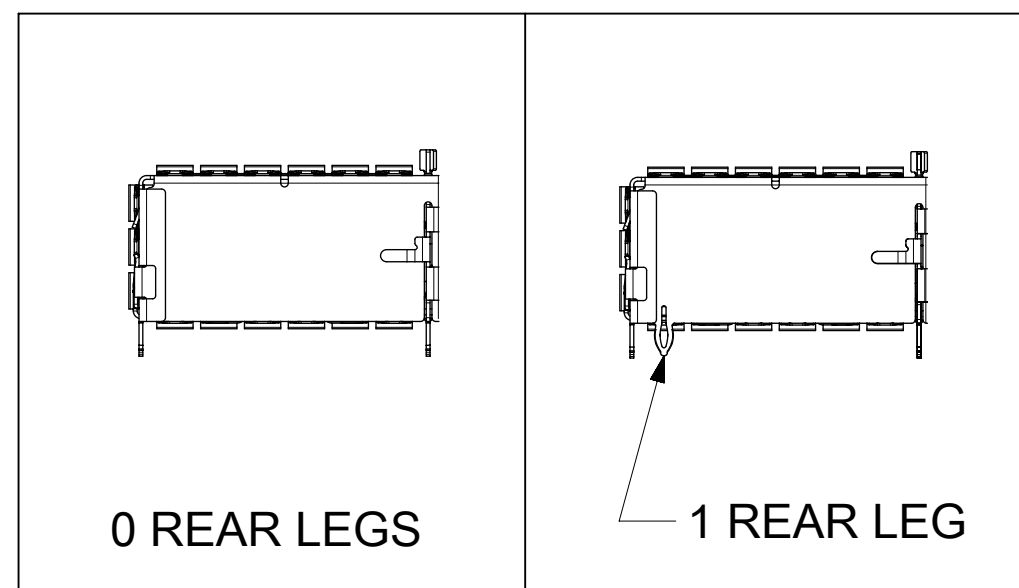
THIS DRAWING CONTAINS INFORMATION THAT IS PROPRIETARY TO MOLEX ELECTRONIC TECHNOLOGIES, LLC AND SHOULD NOT BE USED WITHOUT WRITTEN PERMISSION											
DIMENSION UNITS		SCALE		CURRENT REV DESC: SEE REVISION TABLE							
mm		2:1									
GENERAL TOLERANCES (UNLESS SPECIFIED)				EC NO: 629406							
ANGULAR TOL ± 2.0°				DRWN: JYEN01 2019/12/13							
4 PLACES ±				CHK'D: SCHIEN 2019/12/20							
3 PLACES ±				APPR: JCHIANG 2019/12/20							
2 PLACES ± 0.13				INITIAL REVISION:							
1 PLACE ± 0.25				DRWN: MKEMPEGOWDA 2017/07/20							
0 PLACES ±				APPR: RCHEN08 2017/08/15							
DRAFT WHERE APPLICABLE MUST REMAIN WITHIN DIMENSIONS		THIRD ANGLE PROJECTION		DRAWING		SERIES		MATERIAL NUMBER		CUSTOMER	
		D-SIZE		203372		SEE P/N TABLE		GENERAL MARKET		SHEET NUMBER	
										1 OF 7	

CAGE ASSEMBLY OPTIONS

2033722346 SHOWN



REAR LEG OPTIONS



HEAT SINK HEIGHT OPTIONS

OVERALL HEAT SINK HEIGHT	DIM "A"
PCI	13.7
SAN	16.0
NET	23.0

Δ HEIGHT OF HEAT SINK WITH MODULE INSERTED. DIMENSION MAY BE LESS DUE TO MODULE AND HEAT SINK VARIATIONS.

THIS DRAWING CONTAINS INFORMATION THAT IS PROPRIETARY TO MOLEX ELECTRONIC TECHNOLOGIES, LLC AND SHOULD NOT BE USED WITHOUT WRITTEN PERMISSION

DIMENSION UNITS	SCALE	CURRENT REV DESC: SEE REVISION TABLE	
mm	2:1		
GENERAL TOLERANCES (UNLESS SPECIFIED)			
ANGULAR TOL	$\pm 2.0^\circ$		
4 PLACES	\pm		
3 PLACES	\pm		
2 PLACES	± 0.13		
1 PLACE	± 0.25		
0 PLACES	\pm		
DRAFT WHERE APPLICABLE MUST REMAIN WITHIN DIMENSIONS		THIRD ANGLE PROJECTION	DRAWING
		D-SIZE	203372
		SERIES	203372
		MATERIAL NUMBER	SEE P/N TABLE
		CUSTOMER	GENERAL MARKET
		SHEET NUMBER	2 OF 7

molex

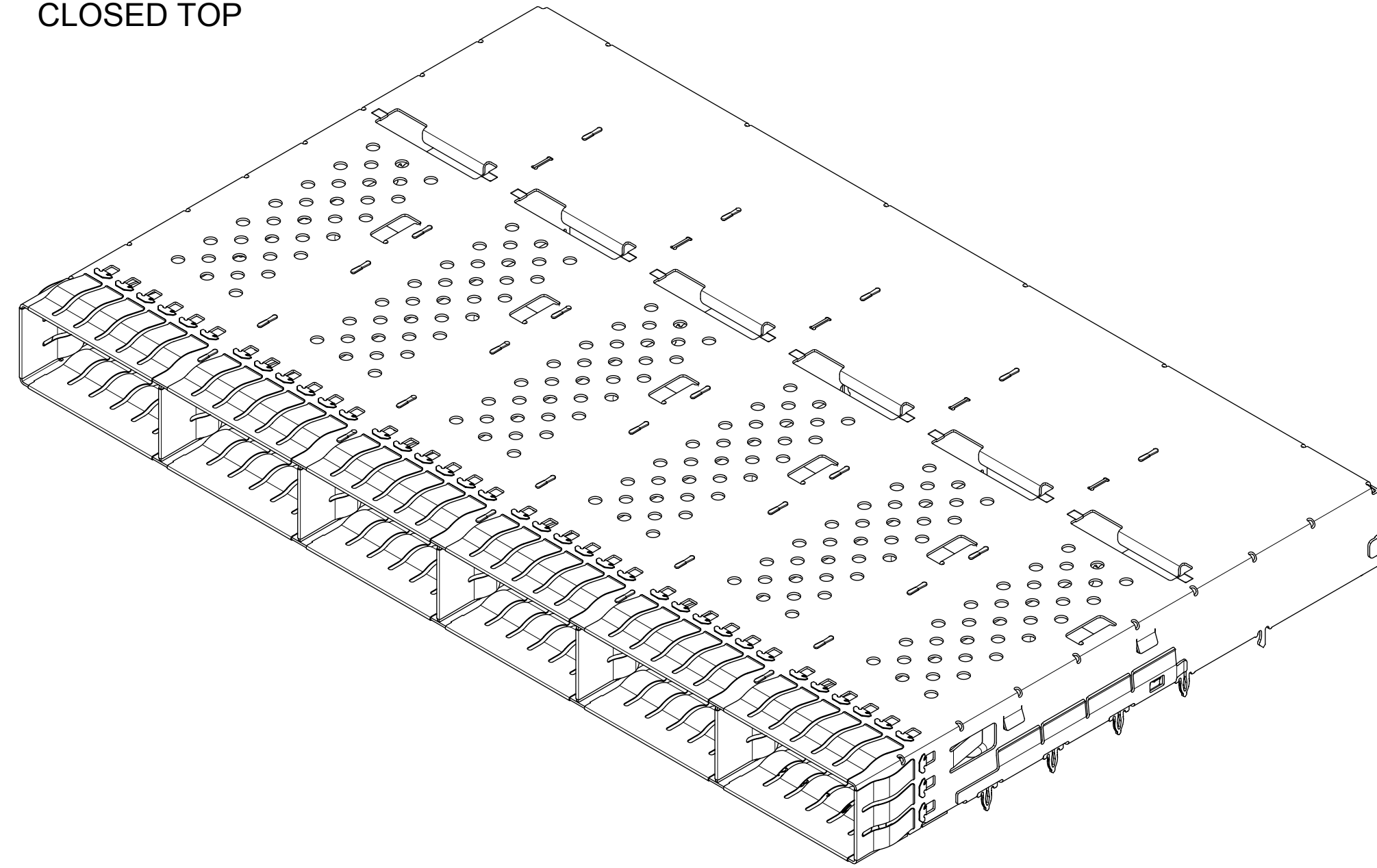
QSPF-DD 1X6 GANGED CAGE ASSY
SPRING FINGER WITH FIN H/S

PRODUCT CUSTOMER DRAWING

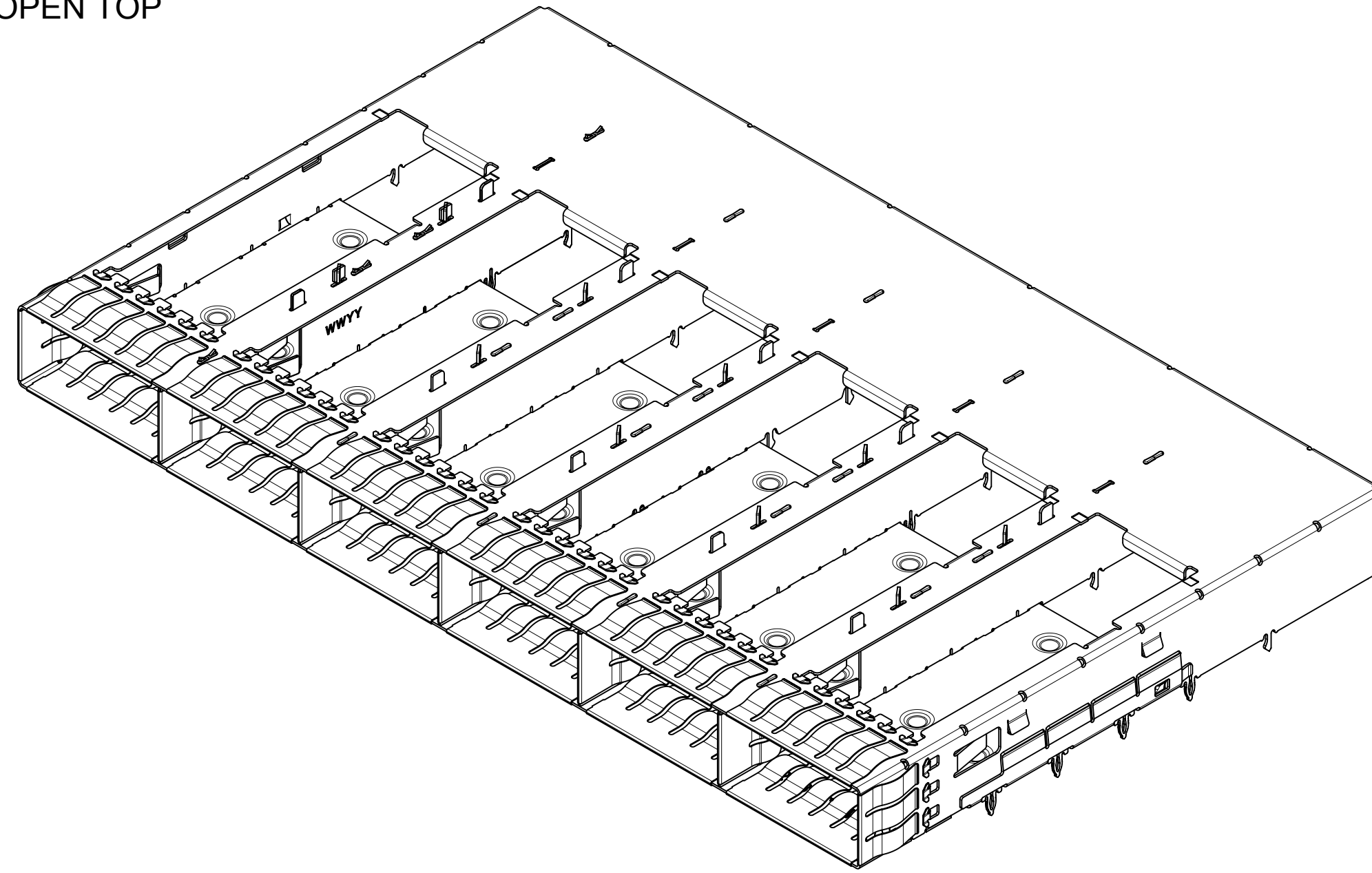
DOCUMENT NUMBER	DOC TYPE	DOC PART	REVISION
2033721201	PSD	ASY	D3

PART NUMBER SELECTION

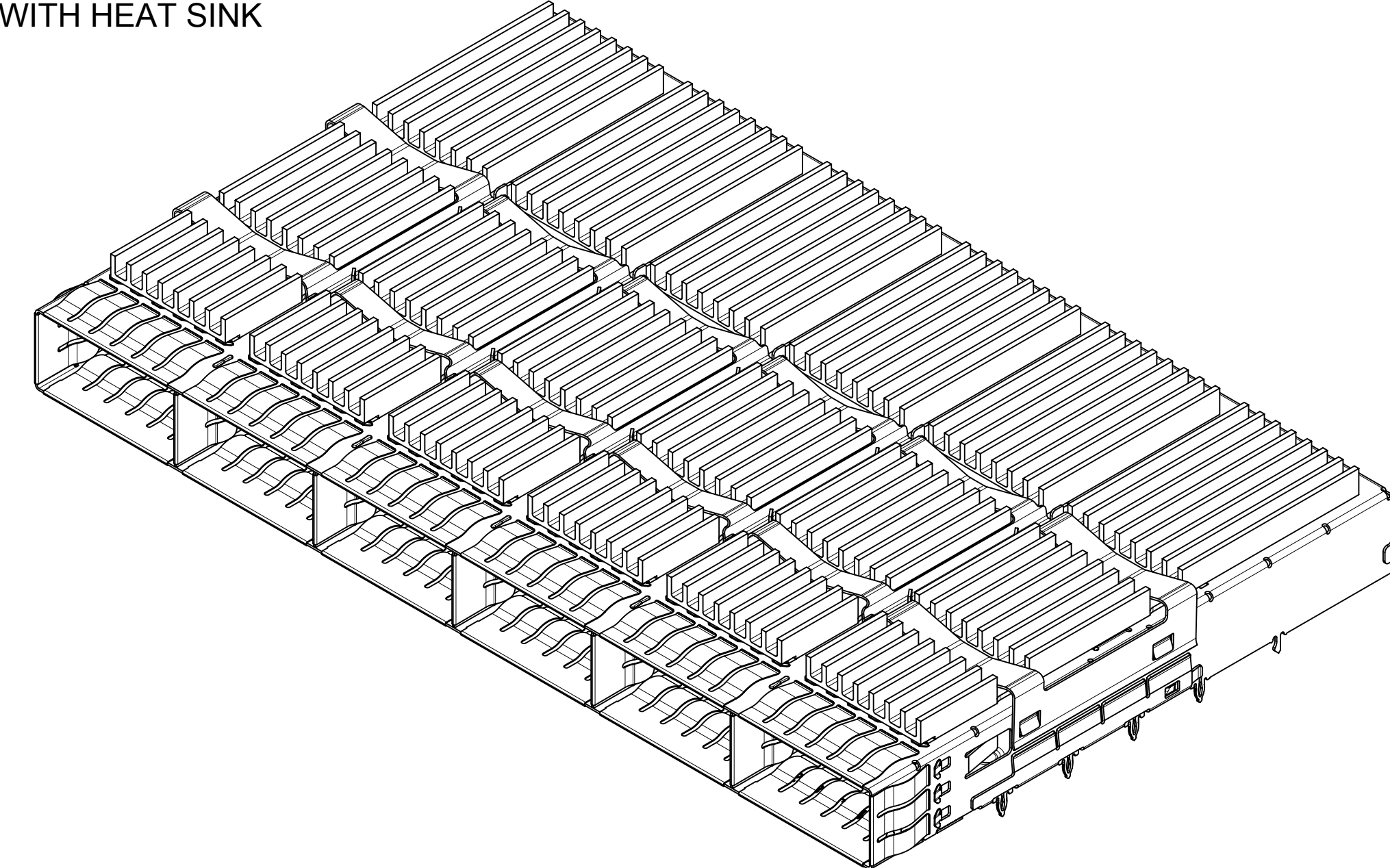
CLOSED TOP



OPEN TOP



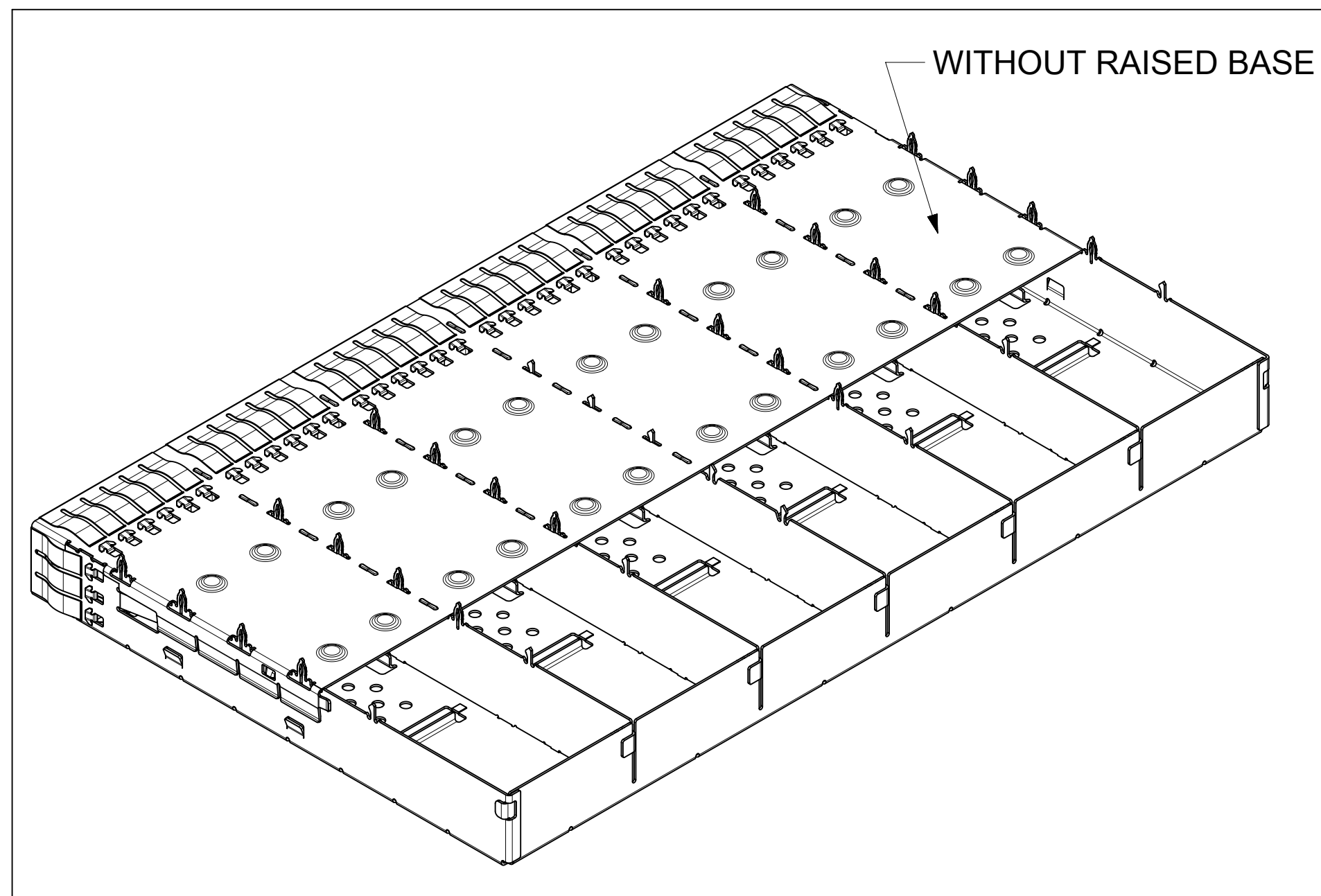
WITH HEAT SINK



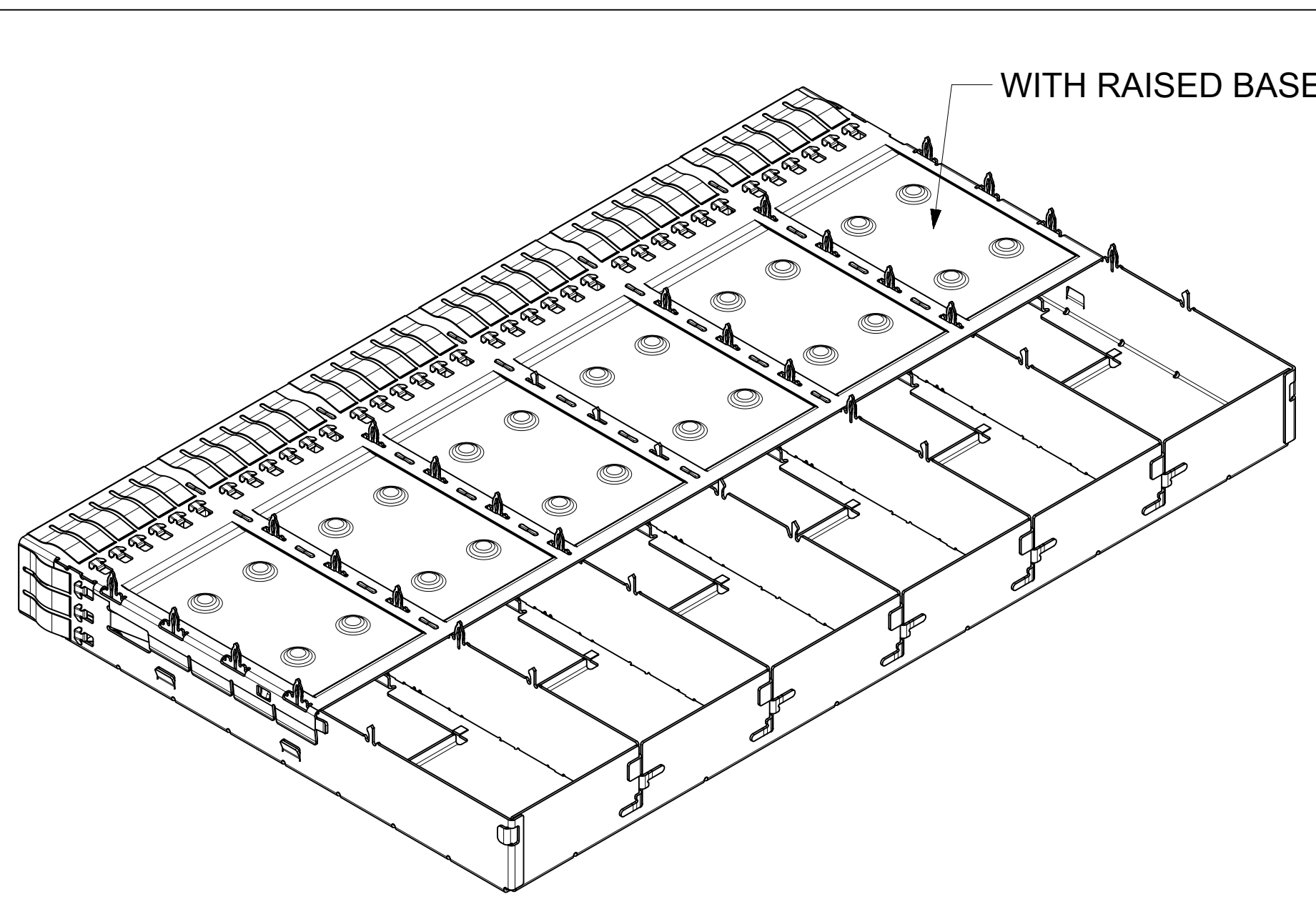
MOLEX P/N	# OF REAR LEGS PER PORT	WITH RAISED BASE
2033721243	0	NO
2033721244	1	NO

MOLEX P/N	# OF REAR LEGS PER PORT	WITH RAISED BASE
2033721253	0	NO
2033721254	1	NO
2033722253	0	YES
2033722254	1	YES

MOLEX P/N	HEAT SINK	# OF REAR LEGS PER PORT	WITH RAISED BASE
2033721346	PCI	0	NO
2033721347	SAN	0	NO
2033721348	NET	0	NO
2033721349	PCI	1	NO
2033721350	SAN	1	NO
2033721351	NET	1	NO
2033722346	PCI	0	YES
2033722347	SAN	0	YES
2033722348	NET	0	YES
2033722349	PCI	1	YES
2033722350	SAN	1	YES
2033722351	NET	1	YES



WITHOUT RAISED BASE



WITH RAISED BASE

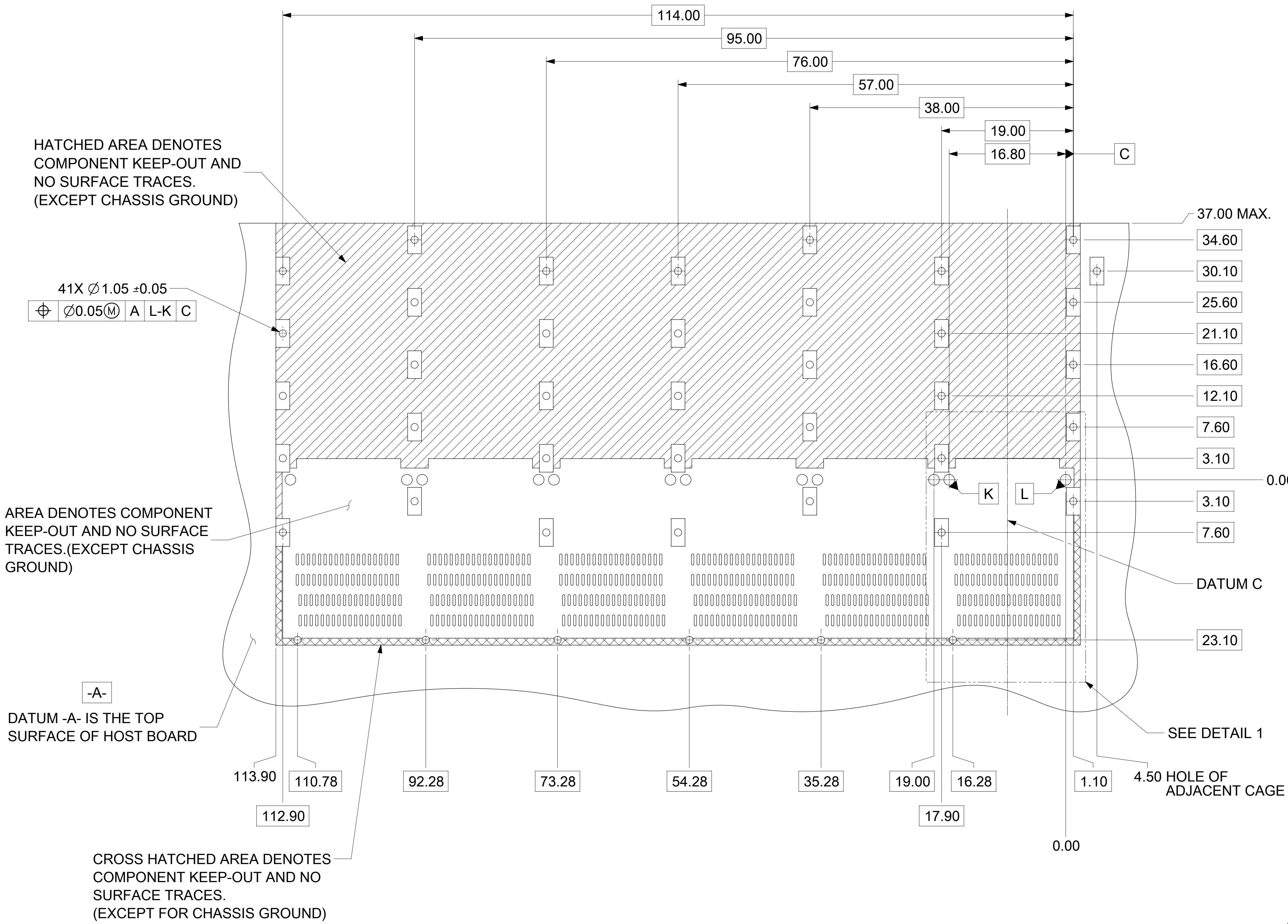
THIS DRAWING CONTAINS INFORMATION THAT IS PROPRIETARY TO MOLEX ELECTRONIC TECHNOLOGIES, LLC AND SHOULD NOT BE USED WITHOUT WRITTEN PERMISSION			
DIMENSION UNITS mm	SCALE 2:1	CURRENT REV DESC: SEE REVISION TABLE	
GENERAL TOLERANCES (UNLESS SPECIFIED)		EC NO: 629406	
ANGULAR TOL	± 2.0°	DRWN: JYEN01	2019/12/13
4 PLACES	±	CHK'D: SCHIEN	2019/12/20
3 PLACES	±	APPR: JCHIANG	2019/12/20
2 PLACES	± 0.13	INITIAL REVISION:	
1 PLACE	± 0.25	DRWN: MKEMPEGOWDA	2017/07/20
0 PLACES	±	APPR: RCHEN08	2017/08/15
DRAFT WHERE APPLICABLE MUST REMAIN WITHIN DIMENSIONS	THIRD ANGLE PROJECTION 	DRAWING D-SIZE	SERIES 203372
DOCUMENT STATUS P1		RELEASE DATE 2019/12/20 10:48:55	DOCUMENT NUMBER 2033721201
MATERIAL NUMBER GENERAL MARKET		DOC TYPE PSD	DOC PART ASY
CUSTOMER GENERAL MARKET		REVISION D3	SHEET NUMBER 3 OF 7

molex

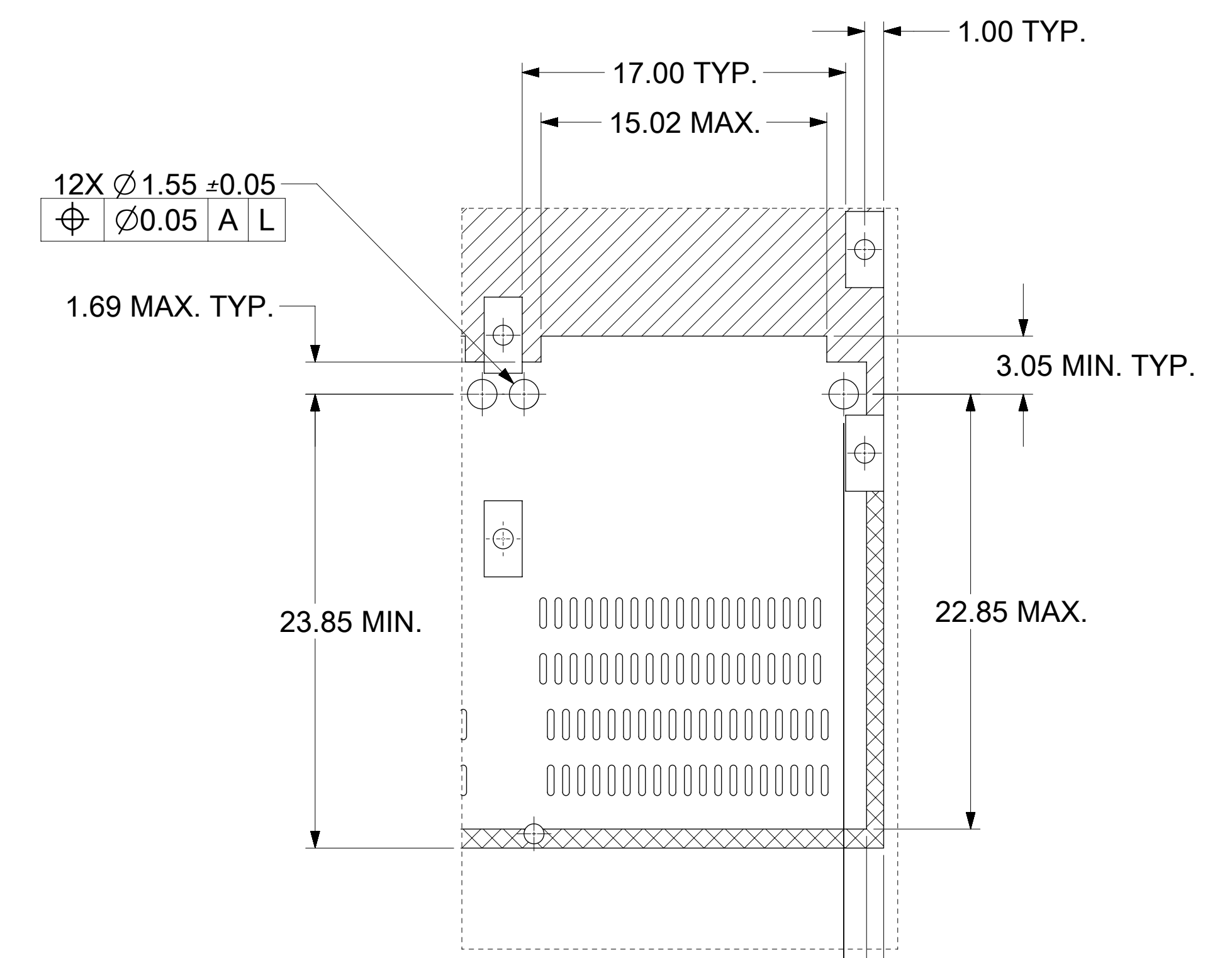
QSFP-DD 1X6 GANGED CAGE ASSY
SPRING FINGER WITH FIN H/S

PRODUCT CUSTOMER DRAWING

PCB LAYOUT FOR SINGLE SIDED MOUNTING

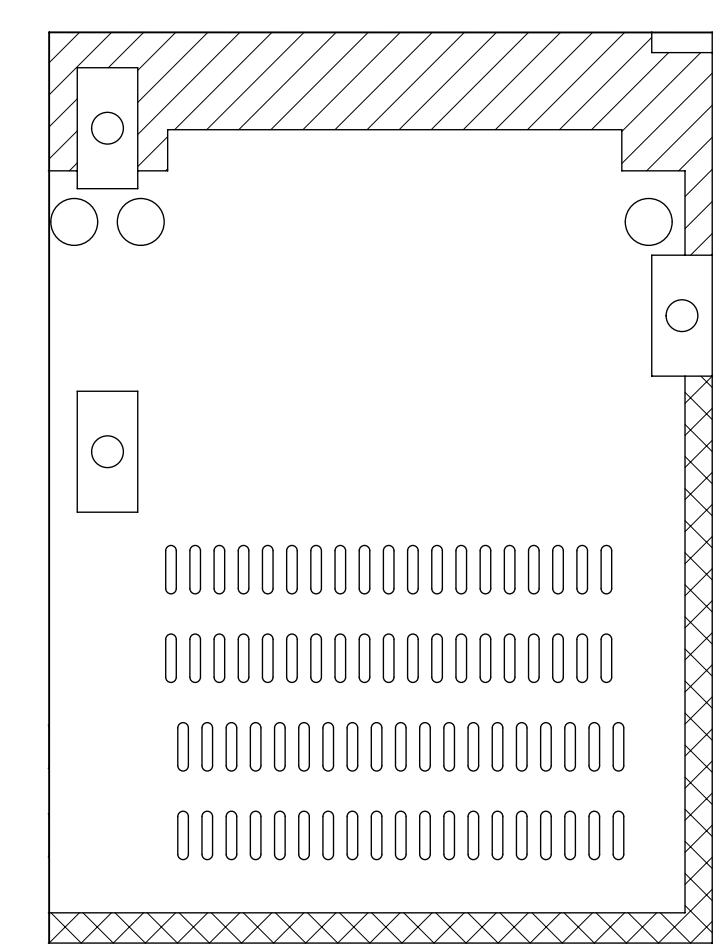


HOST CONNECTOR DETAIL



DETAIL 1
SCALE 4:1

NO REAR LEGS



PARTIAL 1
SCALE 4:1

- NOTES:
1. PADS AND VIAS GO TO CHASSIS GROUND. (RECOMMENDED PADS TO BE 2.00x4.00mm RECTANGLE.)
 2. RECOMMENDED THRU HOLE PLATING INCLUDES HASL, OSP, OR IMMERSION (GOLD, SILVER, OR TIN).
 3. CONNECTOR PAD LAYOUT PER QSFP-DD MSA WILL ACCOMODATE MOLEX CONNECTOR SERIES 202718.

THIS DRAWING CONTAINS INFORMATION THAT IS PROPRIETARY TO MOLEX ELECTRONIC TECHNOLOGIES, LLC AND SHOULD NOT BE USED WITHOUT WRITTEN PERMISSION									
DIMENSION UNITS mm		SCALE 3:1		CURRENT REV DESC: SEE REVISION TABLE					
GENERAL TOLERANCES (UNLESS SPECIFIED)				EC NO: 629406					
ANGULAR TOL ± 2.0°				DRWN: JYEN01 2019/12/13					
4 PLACES ±				CHK'D: SCHIEN 2019/12/20					
3 PLACES ±				APPR: JCHIANG 2019/12/20					
2 PLACES ± 0.13				INITIAL REVISION:					
1 PLACE ± 0.25				DRWN: MKEMPEGOWDA 2017/07/20					
0 PLACES ±				APPR: RCHEN08 2017/08/15					
DRAFT WHERE APPLICABLE MUST REMAIN WITHIN DIMENSIONS		THIRD ANGLE PROJECTION		DRAWING D-SIZE		SERIES 203372		MATERIAL NUMBER SEE P/N TABLE	
DOCUMENT STATUS P1		RELEASE DATE 2019/12/20 10:48:55		CUSTOMER GENERAL MARKET		SHEET NUMBER 4 OF 7			
				PRODUCT CUSTOMER DRAWING		DOCUMENT NUMBER 2033721201		DOC TYPE PSD	
						DOC PART ASY		REVISION D3	

molex

QSFP-DD 1X6 GANGED CAGE ASSY
SPRING FINGER WITH FIN H/S

PRODUCT CUSTOMER DRAWING

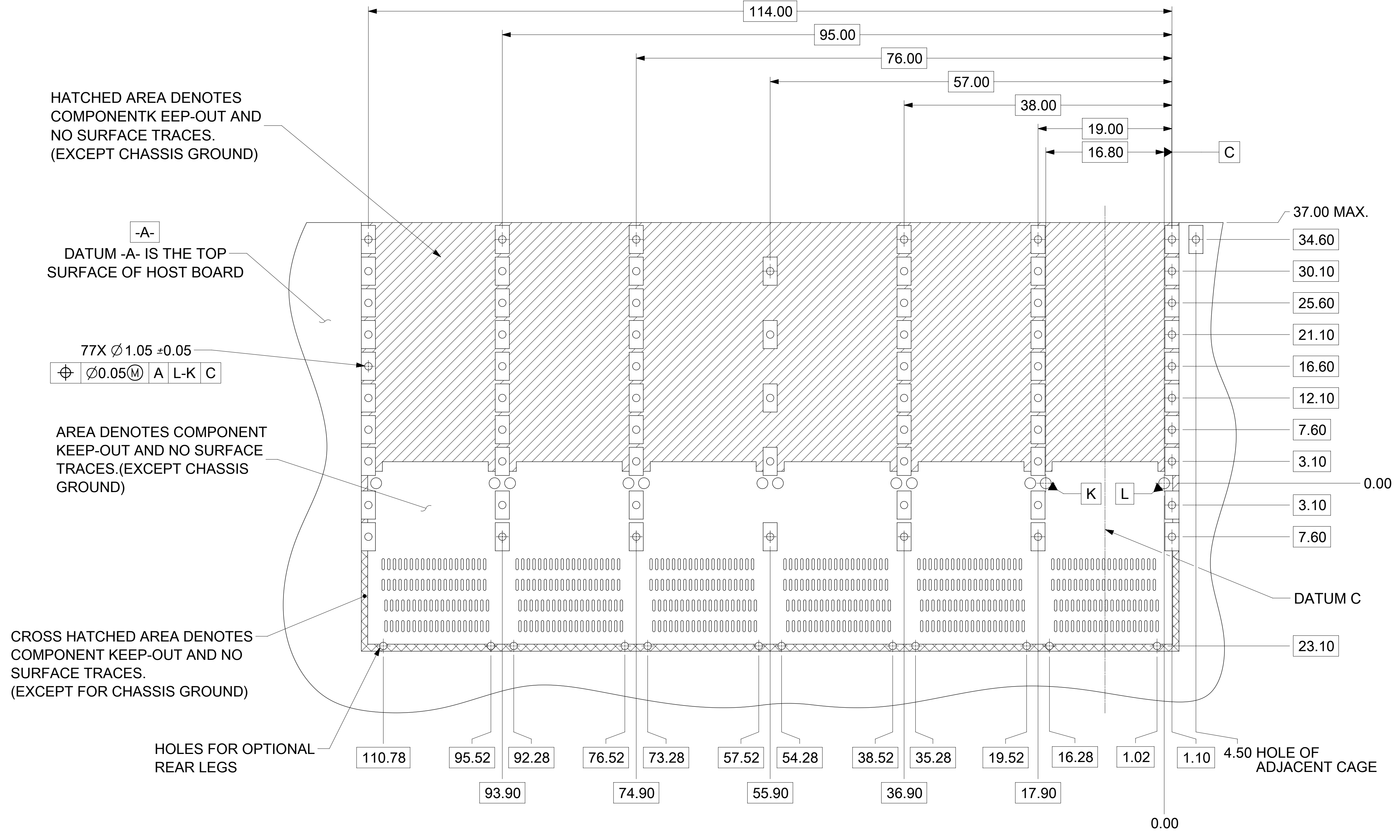
DOCUMENT NUMBER
2033721201

DOC TYPE
PSD

DOC PART
ASY

REVISION
D3

PCB LAYOUT FOR BELLY TO BELLY MOUNTING



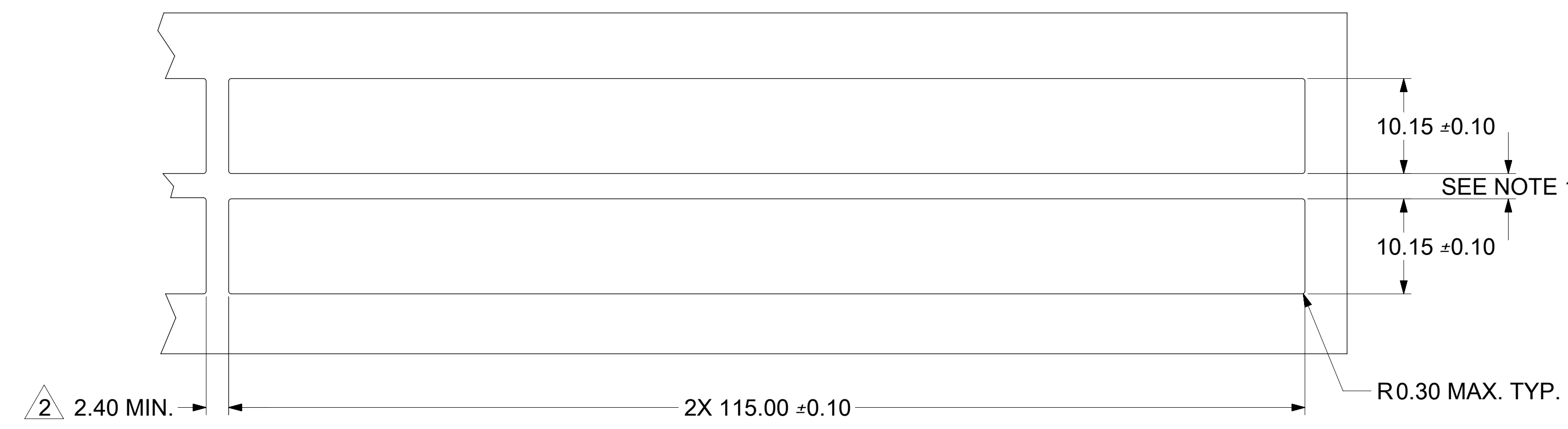
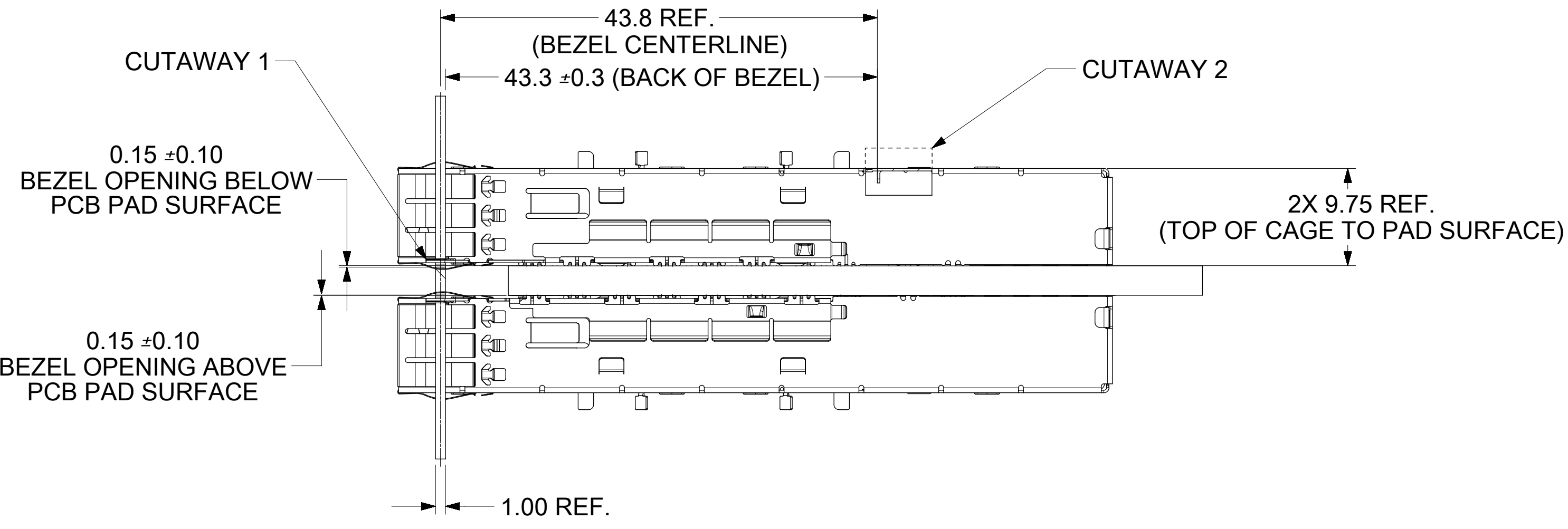
NOTE:
SEE SHEET 4 FOR
HOST CONNECTOR DETAIL

- NOTES:
- PADS AND VIAS GO TO CHASSIS GROUND. (RECOMMENDED PADS TO BE 2.00x4.00mm RECTANGLE.)
 - RECOMMENDED THRU HOLE PLATING INCLUDES HASL, OSP, OR IMMERSION (GOLD, SILVER, OR TIN).
 - CONNECTOR PAD LAYOUT PER QSFP-DD WILL ACCOMODATE MOLEX CONNECTOR SERRIES 202718.

THIS DRAWING CONTAINS INFORMATION THAT IS PROPRIETARY TO MOLEX ELECTRONIC TECHNOLOGIES, LLC AND SHOULD NOT BE USED WITHOUT WRITTEN PERMISSION

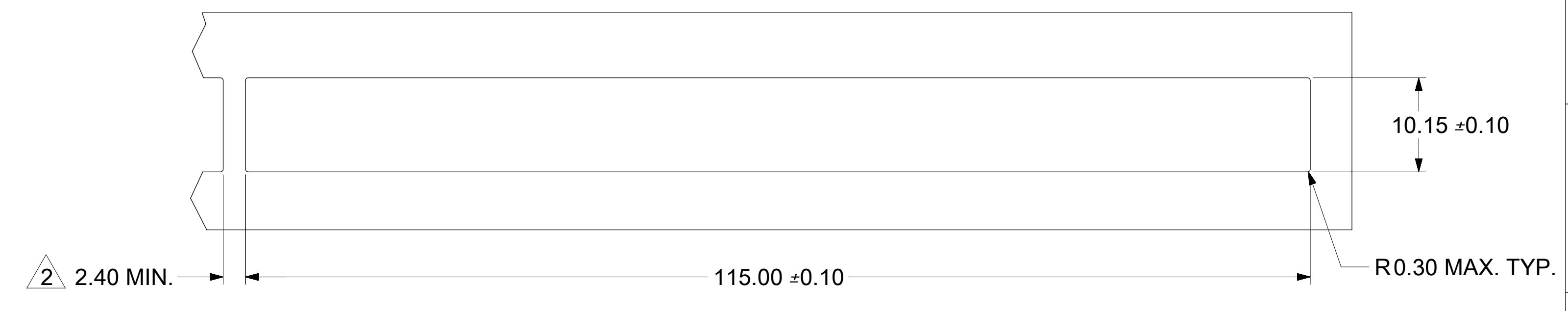
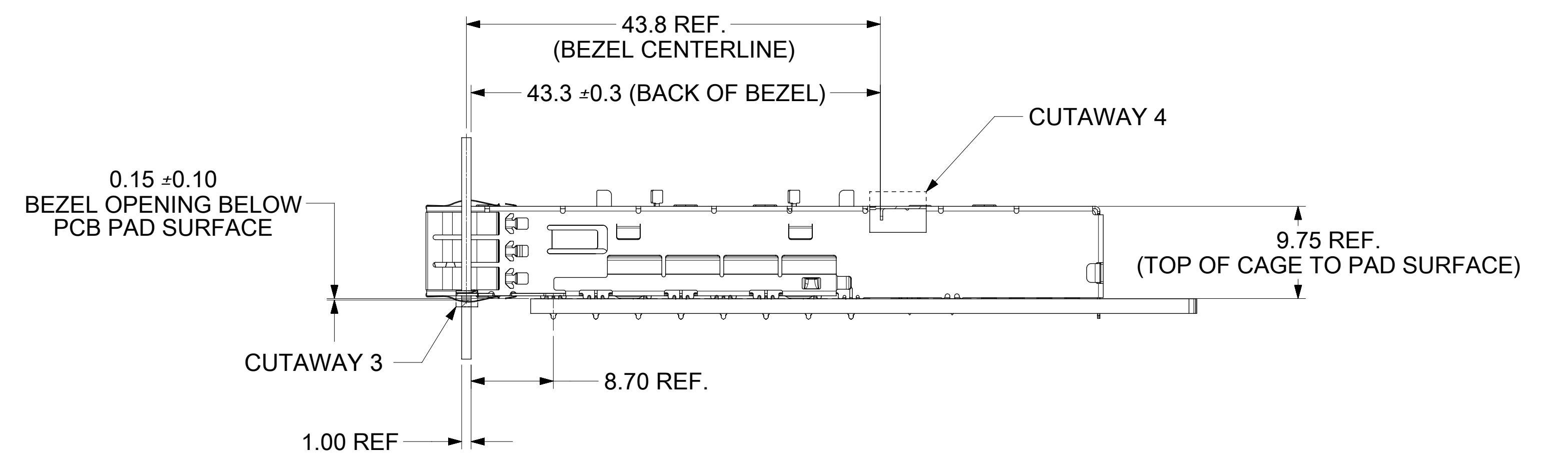
DIMENSION UNITS mm	SCALE 3:1	CURRENT REV DESC: SEE REVISION TABLE	
GENERAL TOLERANCES (UNLESS SPECIFIED)		EC NO: 629406	
ANGULAR TOL	$\pm 2.0^\circ$	DRWN: JYEN01	2019/12/13
4 PLACES	\pm	CHK'D: SCHIEN	2019/12/20
3 PLACES	\pm	APPR: JCHIANG	2019/12/20
2 PLACES	± 0.13	INITIAL REVISION:	
1 PLACE	± 0.25	DRWN: MKEMPEGOWDA	2017/07/20
0 PLACES	\pm	APPR: RCHEN08	2017/08/15
DRAFT WHERE APPLICABLE MUST REMAIN WITHIN DIMENSIONS		THIRD ANGLE PROJECTION	DRAWING SERIES
			D-SIZE 203372
DOCUMENT NUMBER		MATERIAL NUMBER	CUSTOMER
2033721201		SEE P/N TABLE	GENERAL MARKET
DOC TYPE		DOC PART	REVISION
PSD		ASY	D3
SHEET NUMBER		5 OF 7	

BEZEL AND BOARD POSITION DIMENSIONS FOR BELLY TO BELLY MOUNTING




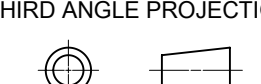
NOTE:
 1. PCB THICKNESS VARIATION MUST BE CONSIDERED WHEN DETERMINING BEZEL OPENING LOCATION.
 2. THIS DIMENSION IS FOR REFERENCE ONLY. USER CAN MODIFY UT DEPENDS ON APPLICATION. (THIS DIMENSION VARIES BASED ON DISTANCE OF "HOLE OF ADJACENT CAGE" ON PCB LAYOUT.)

BEZEL AND BOARD POSITION DIMENSIONS FOR SINGLE SIDE MOUNTING



THIS DRAWING CONTAINS INFORMATION THAT IS PROPRIETARY TO MOLEX ELECTRONIC TECHNOLOGIES, LLC AND SHOULD NOT BE USED WITHOUT WRITTEN PERMISSION									
DIMENSION UNITS	SCALE	CURRENT REV DESC: SEE REVISION TABLE							
mm	2.5:1	<div style="text-align: center;">molex</div> QSFP-DD 1X6 GANGED CAGE ASSY SPRING FINGER WITH FIN H/S PRODUCT CUSTOMER DRAWING							
GENERAL TOLERANCES (UNLESS SPECIFIED)									
ANGULAR TOL	± 2.0°								
4 PLACES	±								
3 PLACES	±								
2 PLACES	± 0.13								
1 PLACE	± 0.25	EC NO: 629406	2019/12/13		DOCUMENT NUMBER: 2033721201 DOC TYPE: PSD DOC PART: ASY REVISION: D3				
0 PLACES	±	DRWN: JYEN01	2019/12/20						
DRAFT WHERE APPLICABLE MUST REMAIN WITHIN DIMENSIONS		CHK'D: SCHIEN	2019/12/20						
THIRD ANGLE PROJECTION		APPR: JCHIANG	2019/12/20		INITIAL REVISION: DRWN: MKEMPEGOWDA 2017/07/20 APPR: RCHEN08 2017/08/15				
DRAWING		SERIES		SHEET NUMBER					
D-SIZE		203372		SEE P/N TABLE		GENERAL MARKET		6 OF 7	

REV	DATE	DESCRIPTION
A	2017/07/25	INITIAL RELEASE
A1	2017/08/30	SHEET 4: G11: UPDATED OPEN TOP ISO VIEW.
B	2017/11/03	SHEET 4: H18: AS PER THE QSFP-DD MSA TO CORRECTED TP TOLERANCE FROM 0.1 TO 0.05mm. K06: AS PER THE QSFP-DD MSA TO ADDED TP TOLERANCE AS 0.05MM AND CHANGED 1.55REF. TO 1.55±0.05mm.. SHEET 5: G17: AS PER THE QSFP-DD MSA TO CORRECTED TP TOLERANCE FROM 0.1 TO 0.05mm.
C	2018/03/19	SHEET 1: K17: ADDED DIMENSION 114.85 REF. SHEET 2: E04: ADDED A BACK VIEW. SHEET 4: H18: CHANGED "TYP." TO "41X" OF DIMENSION 1.05mm. H18: UPDATED TRUE POSITION DATUM FROM A, K AND L TO A, L-K AND C. J10: AS PER THE QSFP-DD MSA TO ADDED BASIC DIMENSION 16.80 AND DATUM C. K06 : CHANGED "TYP." TO "12X" OF DIMENSION 1.55mm. SHEET 5: G17: CHANGED "TYP." TO "77X" OF DIMENSION 1.05mm. G17: UPDATED TRUE POSITION DATUM FROM A, K AND L TO A, L-K AND C. J08: AS PER THE QSFP-DD MSA TO ADDED BASIC DIMENSION 16.80 AND DATUM C.
D	2019/05/02	OPEN TOP SERIES RELLOCATED TO DRAWING NUMBER 2033722201. SHEET 3(C18) & SHEET(E18) : UPDATE RECOMMEND PCB LAYOUT OF TRACE KEEP-OUT ZONE.
D1	2019/07/15	SHEET 3: ADDED NEW P/Ns(-2XXX, WITH RAISED BASE).
D2	2019/08/05	SHEET 3 : 5G : ADDED A COLUMN FOR TYPES OF HEAT SINK.
D3	2019/12/13	SHEET 6 : F2 & E11 : CHANGED R0.30 TYP. TO R0.30 MAX. TYP. SHEET 6 : J8 & H17 : CHANGED BEZEL THICKNESS FROM 1.60 REF. TO 1.00 REF. SHEET 6 : K6 & L16 : CHANGED FROM 43.0 ±0.3 TO 43.3 ±0.3 SHEET 6 : J7 : CHANGED FROM 8.40 REF. TO 8.70 REF.

THIS DRAWING CONTAINS INFORMATION THAT IS PROPRIETARY TO MOLEX ELECTRONIC TECHNOLOGIES, LLC AND SHOULD NOT BE USED WITHOUT WRITTEN PERMISSION									
DIMENSION UNITS	SCALE	CURRENT REV DESC: SEE REVISION TABLE							
mm	1:1	 <p>QSFP-DD 1X6 GANGED CAGE ASSY SPRING FINGER WITH FIN H/S</p> <p>PRODUCT CUSTOMER DRAWING</p>							
GENERAL TOLERANCES (UNLESS SPECIFIED)									
ANGULAR TOL	± 2.0°								
4 PLACES	±								
3 PLACES	±								
2 PLACES	± 0.13								
1 PLACE	± 0.25	EC NO: 629406	2019/12/13		DRWN: JYEN01		2019/12/20		
0 PLACES	±	APPR: JCHIANG	2019/12/20		INITIAL REVISION:		2017/08/15		
DRAFT WHERE APPLICABLE MUST REMAIN WITHIN DIMENSIONS		THIRD ANGLE PROJECTION	DRAWING	SERIES	MATERIAL NUMBER	CUSTOMER	SHEET NUMBER		
			D-SIZE	203372	SEE P/N TABLE	GENERAL MARKET	7 OF 7		