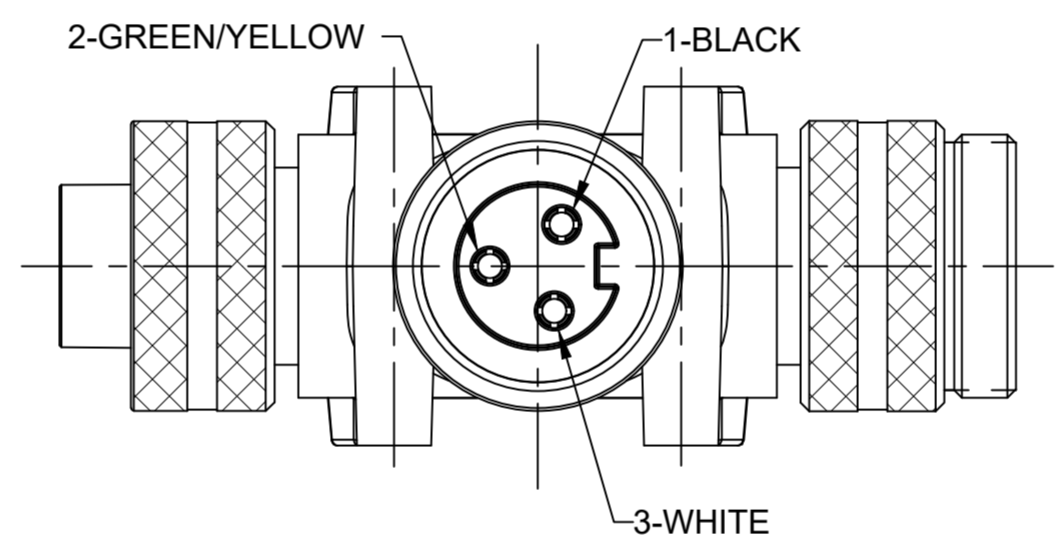
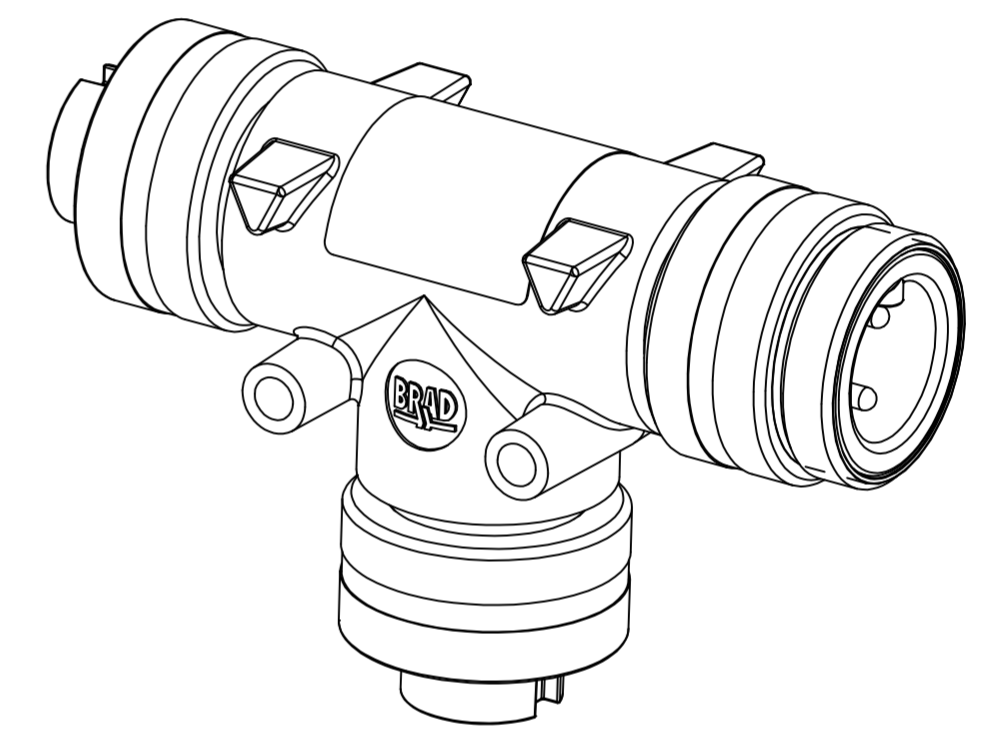
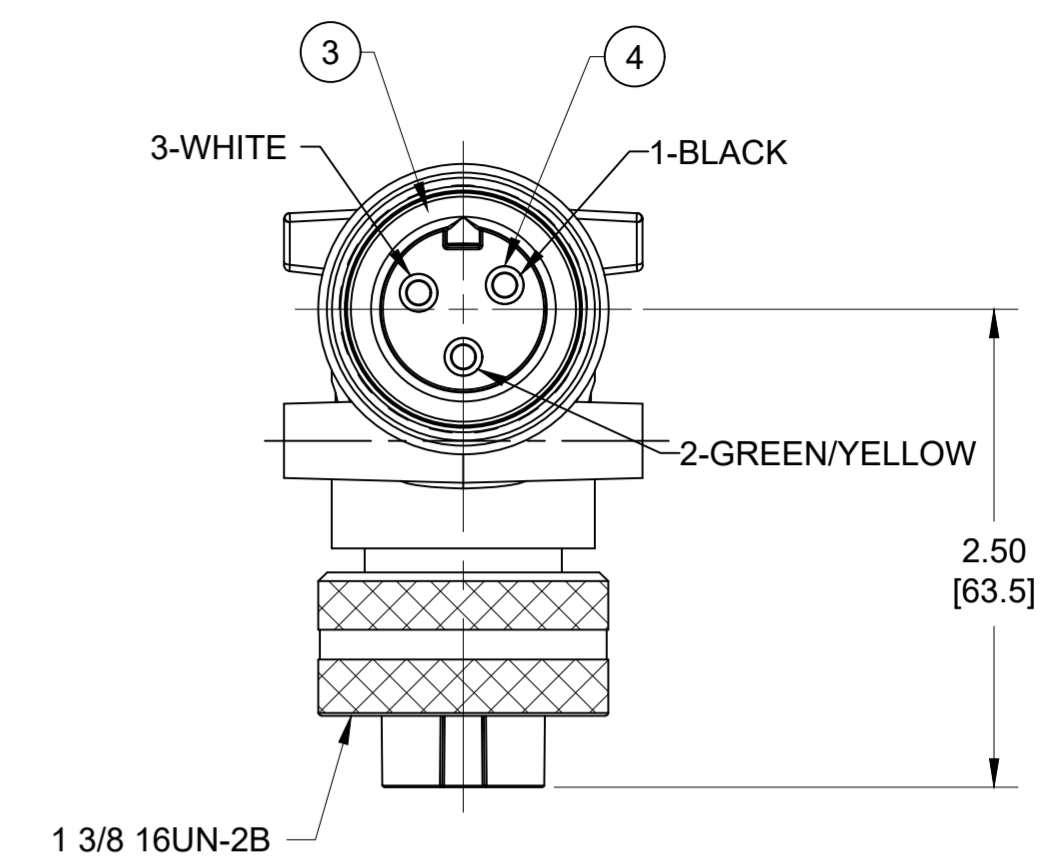
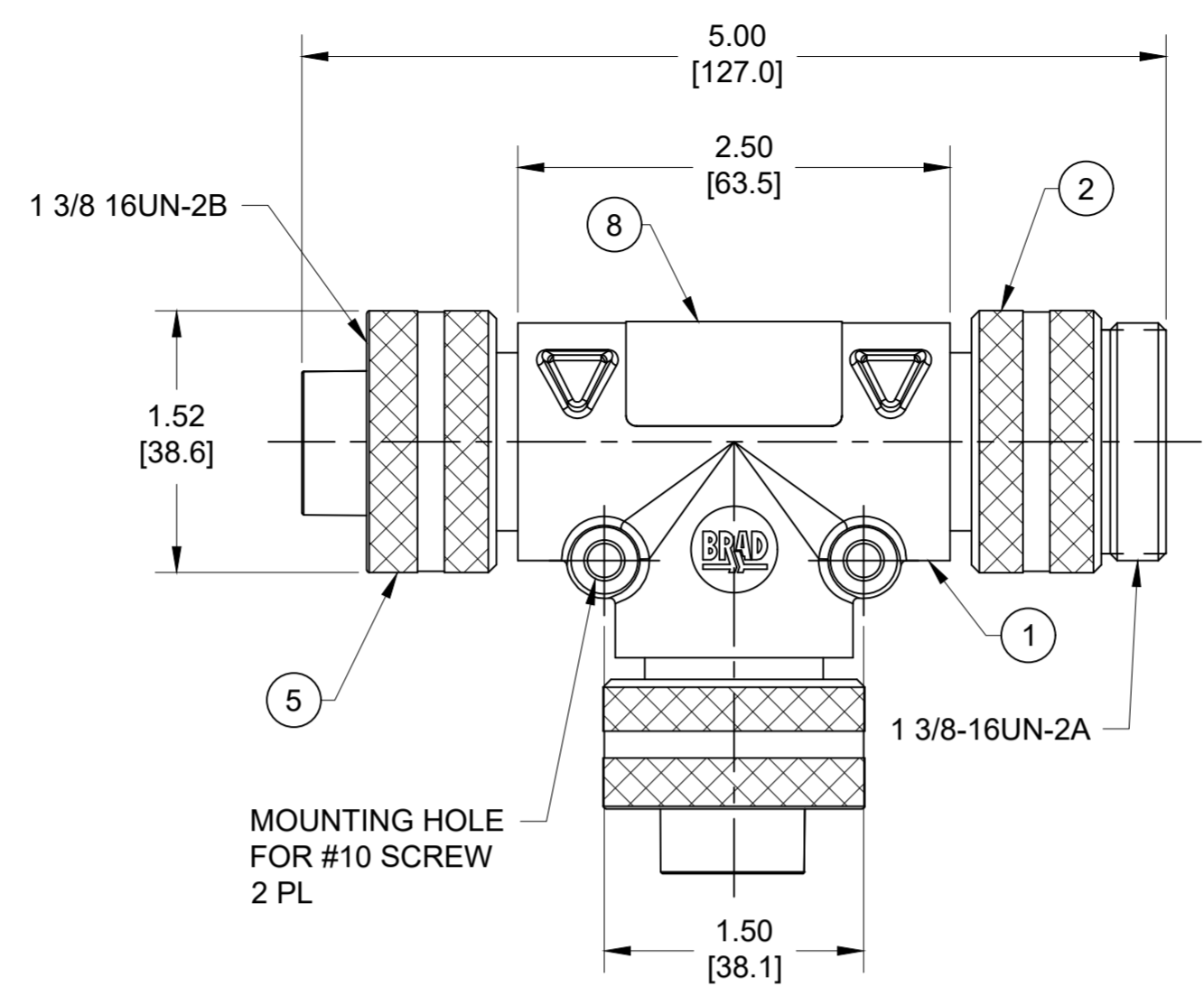
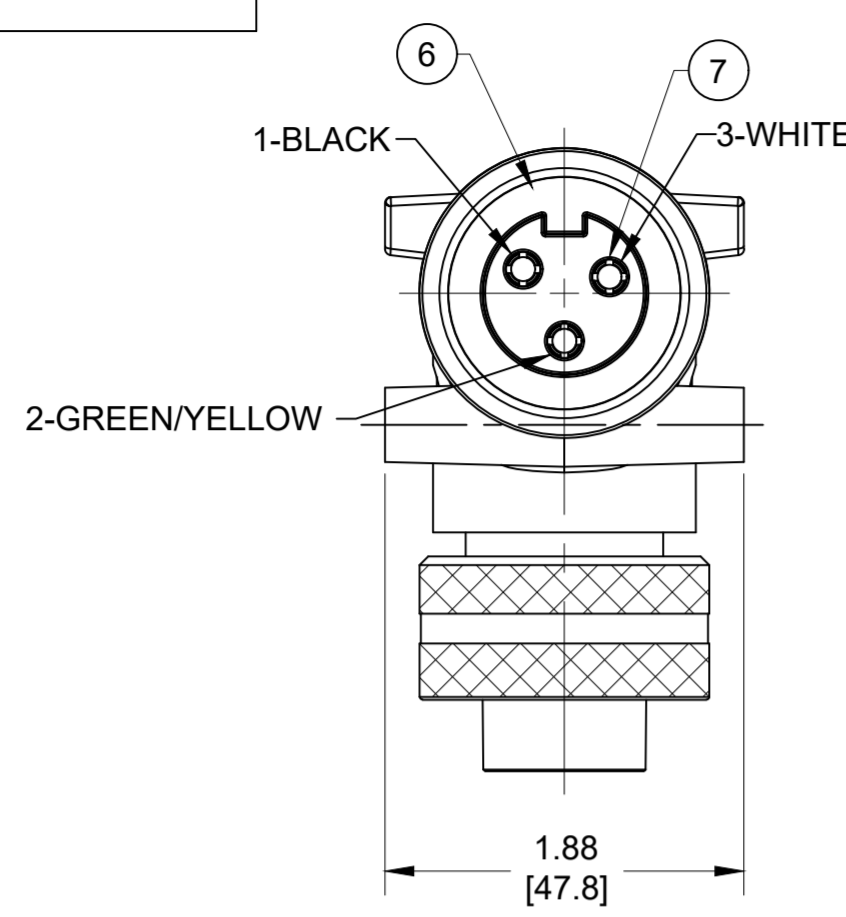
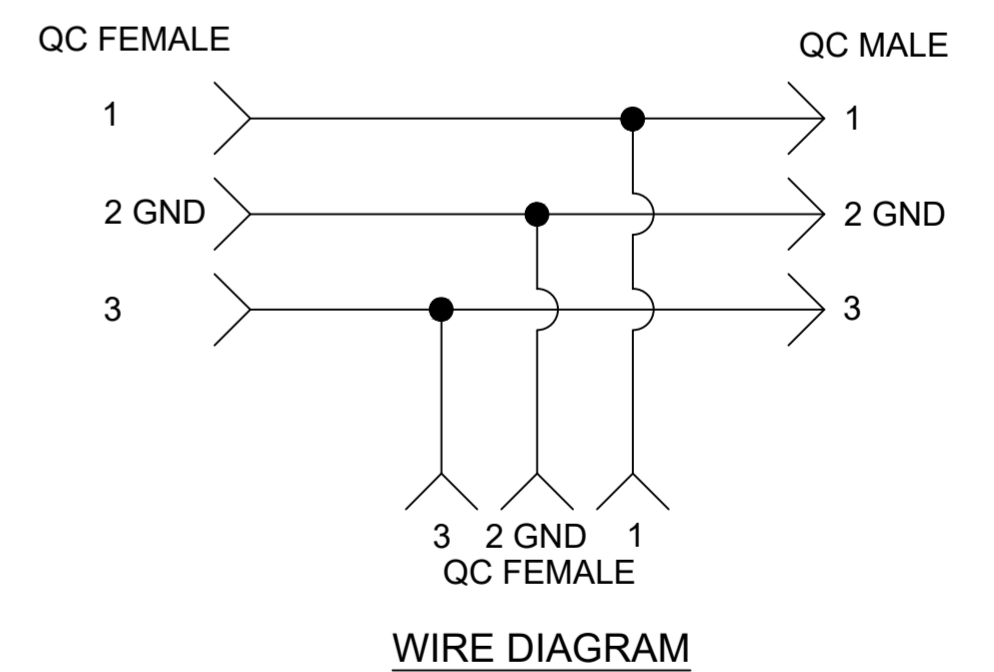


PART NUMBER	ENGINEERING NUMBER
1300680104	TC30C30-200E



- NOTES:
- MATERIAL: AS NOTED
 - FINISH: AS NOTED
 - ELECTRICAL:
 - VOLTAGE: 630V PER IEC60664 (C)
 - 600V PER UL2237
 - CURRENT: 32A
 - TEMP RATING: -20° TO +105°C (C)
 - PROTECTION: IP67 (WHEN MATED)
 - UL LISTED FILE: E258922
 - ALL DIMENSIONS ARE FOR REFERENCE UNLESS TOLERANCED OR NOTED OTHERWISE



8	LABEL	POLYESTER	BLACK/ORANGE
7	SOCKET CONTACT	COPPER ALLOY	GOLD PLATED
6	FEMALE INSERT	TPE	BLACK
5	FEMALE COUPLING NUT	ALUMINUM	CLEAR ANODIZE
4	PIN CONTACT	COPPER ALLOY	GOLD PLATED
3	MALE INSERT	TPE	BLACK
2	MALE COUPLING NUT	ALUMINUM	CLEAR ANODIZE
1	OVERMOLD	TPE	RED
ITEM	DESCRIPTION	MATERIAL	FINISH

FUNCTIONAL SYMBOLS FA=0 FC=0 FP=0	THIS DRAWING CONTAINS INFORMATION THAT IS PROPRIETARY TO MOLEX ELECTRONIC TECHNOLOGIES, LLC AND SHOULD NOT BE USED WITHOUT WRITTEN PERMISSION		CURRENT REV DESC: ITEM# 1, 3 & 6 WERE PVC. MODIFIED TEMP RATING. UPDATED IEC VOLTAGE	
	DIMENSION UNITS	SCALE	EC NO: 664420	
	INCH/MM	NTS	DRWN: ABENJAMINLW	2021/01/11
	GENERAL TOLERANCES (UNLESS SPECIFIED)		CHK'D: RSTONE	2021/05/19
DIVISIONAL SYMBOLS	mm	INCH	APPR: BWOODMAN	2021/05/19
4 PLACES	±----	±----	INITIAL REVISION:	
3 PLACES	±----	±----	DRWN: GGUSTAFS	2014/07/09
2 PLACES	±----	±----	APPR: BWOODMAN	2014/09/19
1 PLACE	±----	±----	THIRD ANGLE PROJECTION	
0 PLACES	±----	±----	DRAWING	
ANGULAR TOL ± ---- °		SERIES		DOCUMENT NUMBER
DRAFT WHERE APPLICABLE MUST REMAIN WITHIN DIMENSIONS		C-SIZE		SD-130068-020
		MATERIAL NUMBER		DOC TYPE/DOC PART/REVISION
		SEE CHART		PSD 001 C
		CUSTOMER		SHEET NUMBER
		GENERAL MARKET		1 OF 1