

LC SIMPLEX PC SINGLEMODE ADAPTOR  
 ZIRCONIA ALIGNMENT SLEEVE

 Packaging  
 100

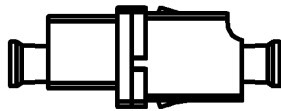
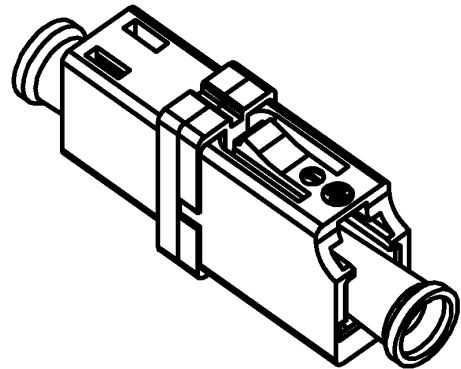
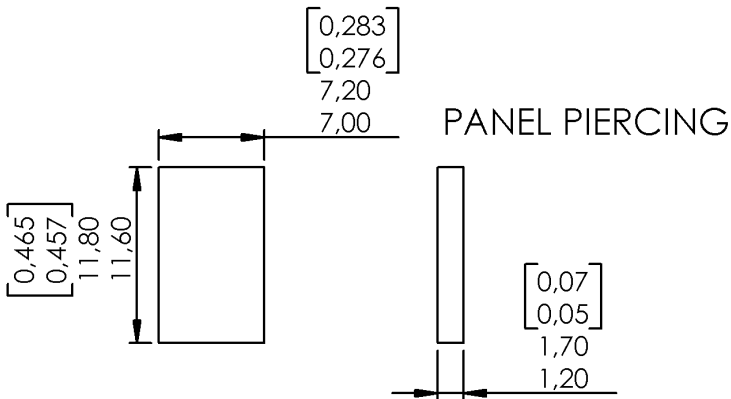
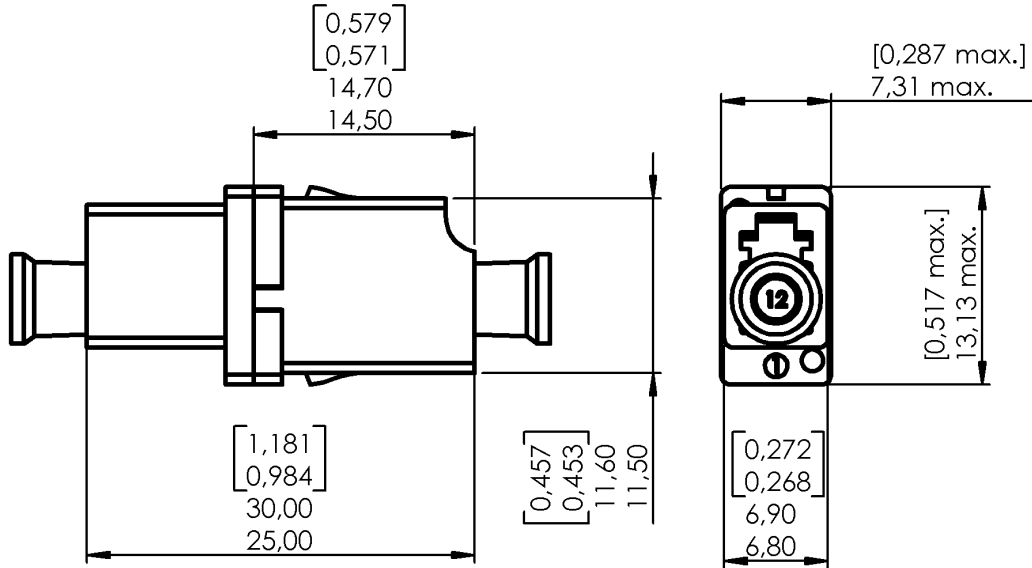
 Series  
 LC

 Issue  
 12 05 02

 Page  
 1 / 2

Adaptor : color BLUE

Simplex



Scale : 1/1

- Contents :
- Low profile simplex adapter
  - Receptacle dust cap
  - Sleeve

Original dimensions in mm [inch]

LC SIMPLEX PC SINGLEMODE ADAPTOR  
ZIRCONIA ALIGNMENT SLEEVE

Packaging  
100

Series  
LC

Issue  
12 05 02

Page  
2 / 2

Adaptor : color BLUE

Simplex

**GENERAL**

- TYPE** IEC 61754-20 (LC)  
RJ-45 latching system  
Receptacle color : BLUE
- MOUNTING** Snap-in mounting  
Max. panel thickness 1.7 mm
- ALIGNMENT SLEEVE** Zirconia

**CHARACTERISTICS (Depending on fibre or cable construction)**

- MATERIAL** Plastic molded : Material in accordance with TELCORDIA GR-326 CORE  
Inflammability V0 (UL 94)
- MECHANICAL** Durability 200 cycles
- ENVIRONMENTAL** Storage temperature range -40°C to +85°C  
Operating temperature range -40°C to +70°C
- PROOF TEST** Straight pull 68 N load at 0°  
Side pull 23 N load at 90°
- VIBRATION TEST** 10 to 55 Hz, 1,5 mm (peak to peak), 2 Hr/axis

*(Performance and specification : see document GEN - F727 001)*