



ANATECH ELECTRONICS INC
RF & Microwave Filters & Products

12.5 MHz LC Band Pass Filter

Part Number: AE12.5B6111



Electrical Specifications

Center Frequency: 12.5 MHz
Bandwidth: 4 MHz Min.
Insertion Loss: 3.0dB Max.
Return Loss: 14dB Min.
Rejection: $\geq 70\text{dB}$ @ 1 MHz
Rejection2: $\geq 70\text{dB}$ @ 27.5 MHz

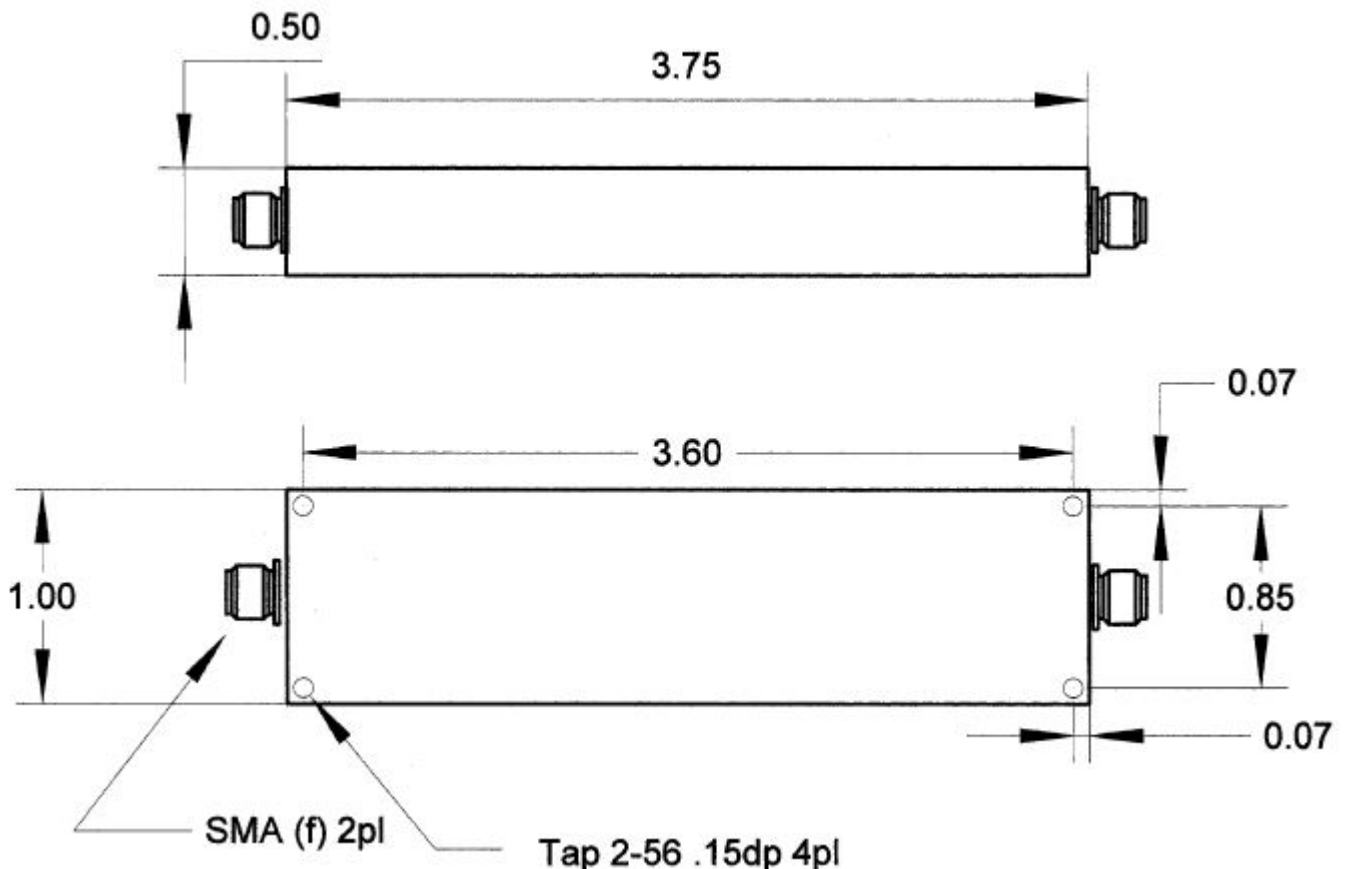
Mechanical

Connector Type: SMA(F)
Dimensions: 3.75" X 1.0" x 0.5" .

Environmental

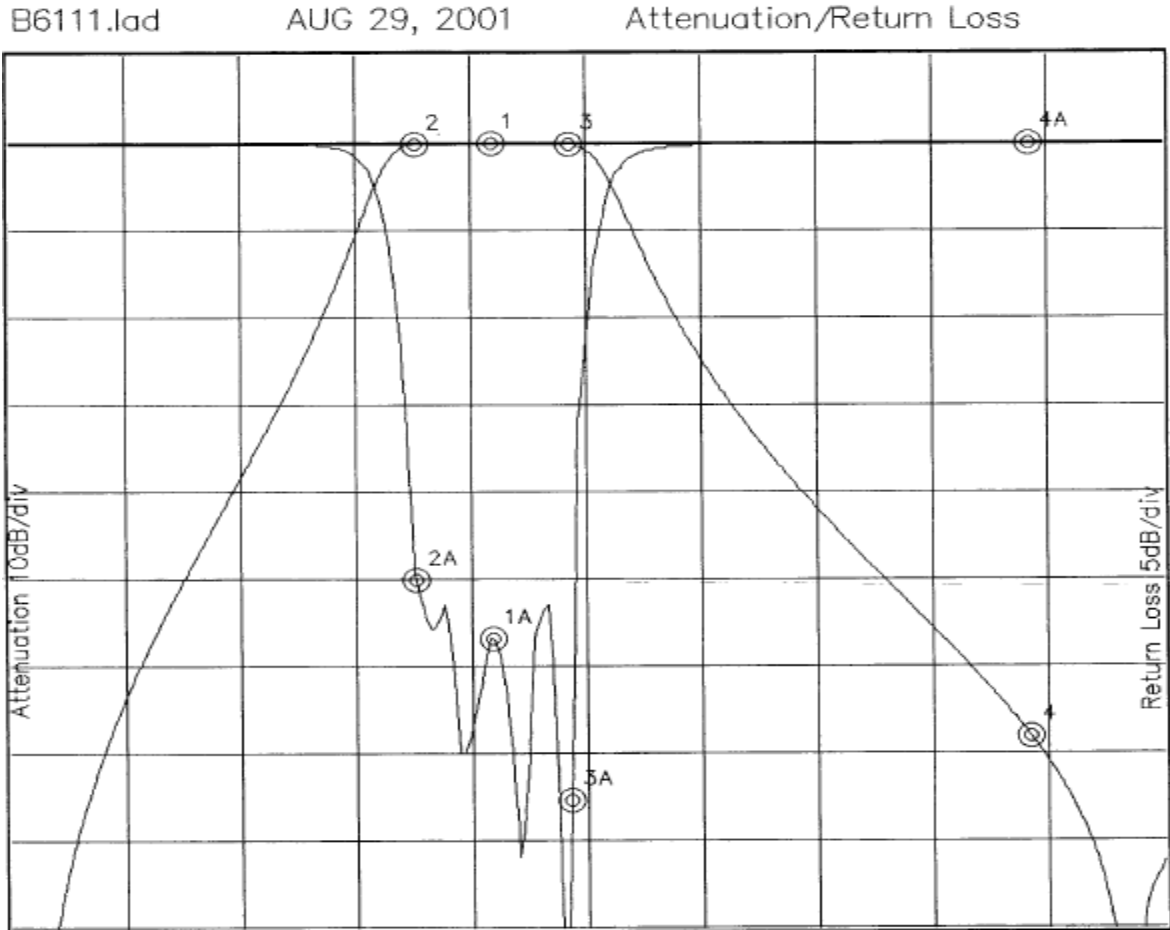
Operating Temperature: -25°C to $+70^{\circ}\text{C}$
Storage Temperature: -40°C to $+90^{\circ}\text{C}$
Shock: 10 G. 11ms
Vibration: 10 G. 5 to 200Hz

Outline Drawing:





Response Plot:



Attenuation Start: 0.003Hz Stop: 30.0MHz Return Loss Start: 0.003Hz Stop: 30.0MHz

Offset -0.4347dB

Marker 1 Freq 12.504MHz Atten -0.003dB
 Marker 2 Freq 10.517MHz Atten -0.169dB
 Marker 3 Freq 14.540MHz Atten -0.194dB
 Marker 4 Freq 26.510MHz Atten -68.470dB

Marker 1A Freq 12.504MHz Ret Loss -28.592dB
 Marker 2A Freq 10.517MHz Ret Loss -25.225dB
 Marker 3A Freq 14.540MHz Ret Loss -37.893dB
 Marker 4A Freq 26.510MHz Ret Loss 0.000dB