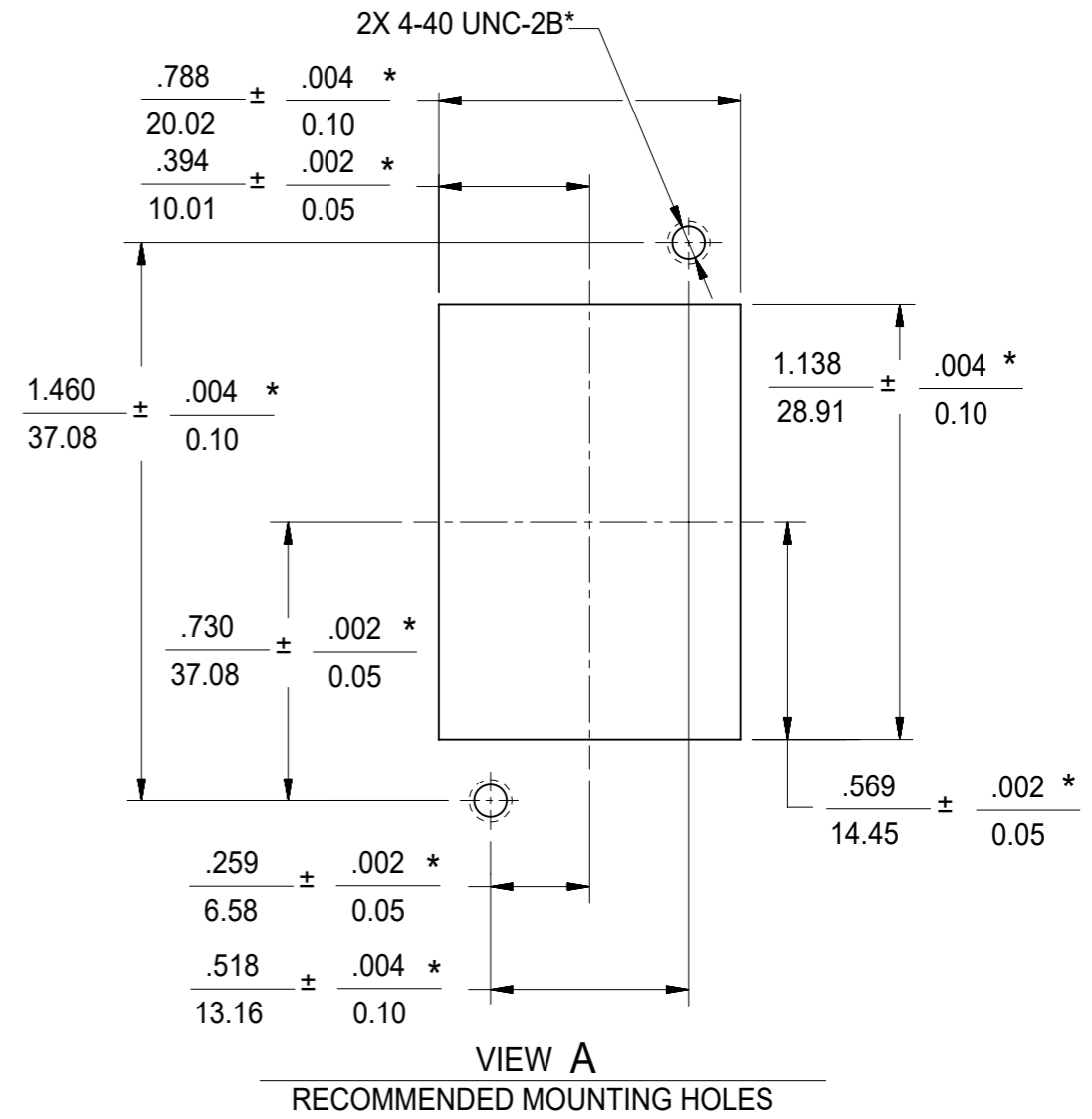
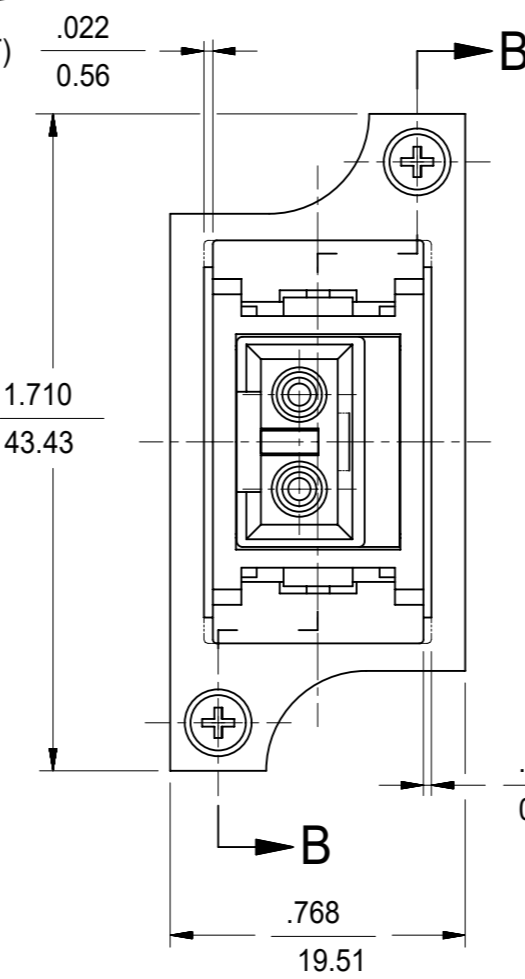
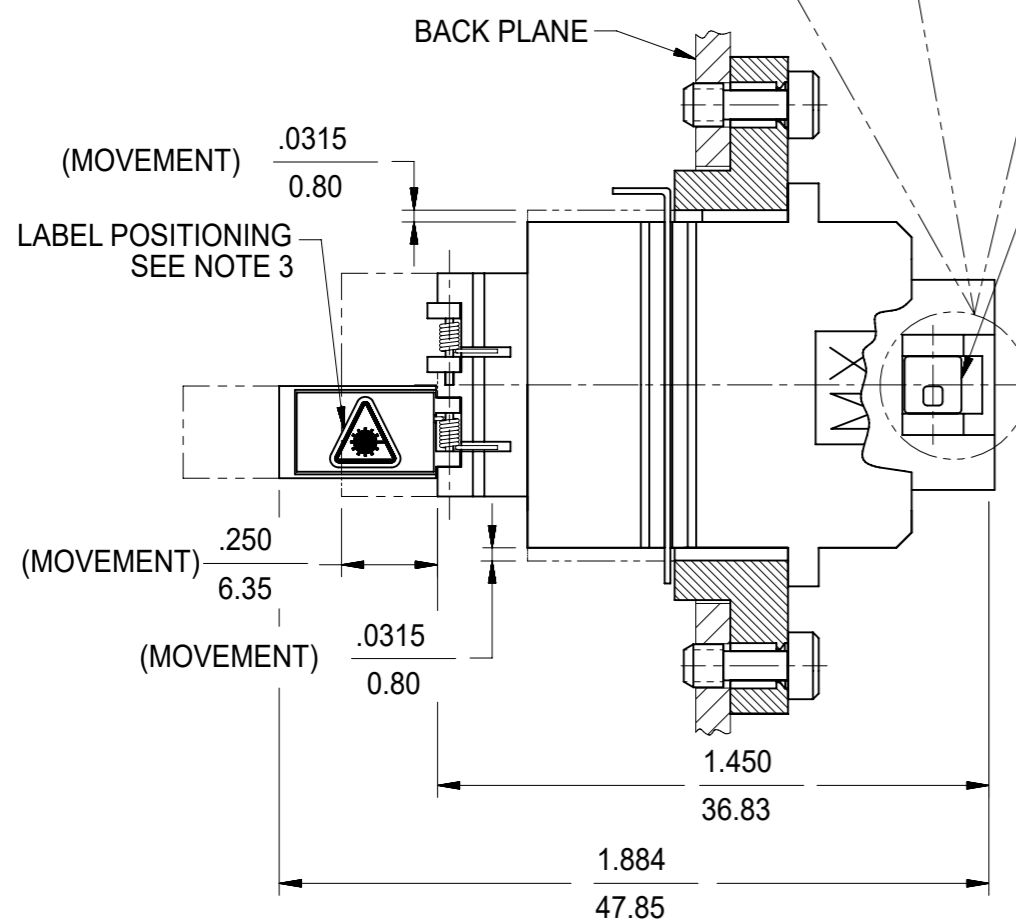
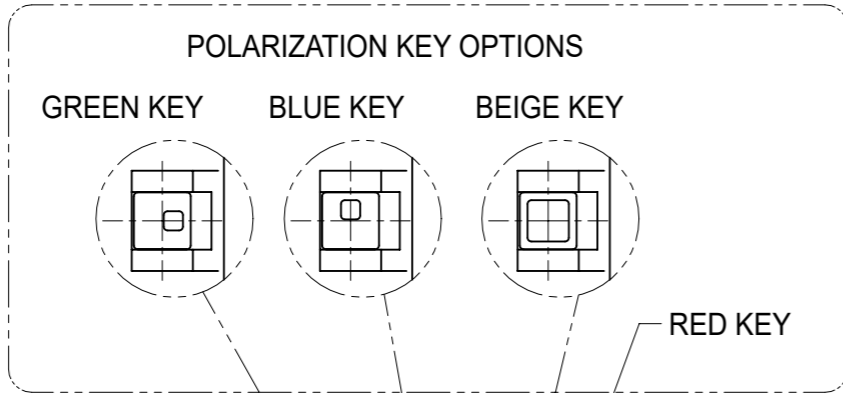


10	9	
BLC ADAPTER P/N	SPLIT SLEEVE MATERIAL	COLOR
106145-1100	Zr	BLACK



- NOTES:
1. ALL DIM. ARE FOR REFERENCE ONLY, EXCEPT WHEN MARKED WITH (\*).
  2. POLARIZATION KEYS AND LABELS ARE PACKED UNASSEMBLED WITH ADAPTER ASSEMBLY IN POLY BAG.
  3. ADHESIVE LABELS TO BE POSITIONED ON LC DOORS BY USER. THE ORIENTATION OF THE LABELS SHOULD BE SUCH THAT THE LASER WARNING SYMBOL IS EASILY IDENTIFIED.

THIS DRAWING CONTAINS INFORMATION THAT IS PROPRIETARY TO MOLEX ELECTRONIC TECHNOLOGIES, LLC AND SHOULD NOT BE USED WITHOUT WRITTEN PERMISSION											
DIMENSION UNITS <b>IN/MM</b>		SCALE <b>2:1</b>		CURRENT REV DESC: REMOVED OBSOLETE PART NUMBERS AS PER PCN#510808.				<b>molex</b>		BLC ADAPTER ASSEMBLY (2 POSITION)	
GENERAL TOLERANCES (UNLESS SPECIFIED)				EC NO: 736640 DRWN: LIKITV CHK'D: GGA APPR: GGA							
4 PLACES ±		MM		INCH		2023/01/25		PRODUCT CUSTOMER DRAWING			
3 PLACES ±						2023/02/16		DOCUMENT NUMBER			
2 PLACES ±						2023/02/16		SD-106145-XX00			
1 PLACE ±						INITIAL REVISION:		DOC TYPE			
0 PLACES ±						DRWN: PGIBLIN APPR:		DOC PART			
ANGULAR TOL ± 0.5°						2005/10/21		REVISION			
DRAFT WHERE APPLICABLE MUST REMAIN WITHIN DIMENSIONS		THIRD ANGLE PROJECTION		DRAWING		SERIES		MATERIAL NUMBER		CUSTOMER	
		A3-SIZE		106145		SEE TABLE		GENERAL MARKET		SHEET NUMBER	
										1 OF 1	

DOCUMENT STATUS	P1	RELEASE DATE	2023/02/16	05:36:32
-----------------	----	--------------	------------	----------