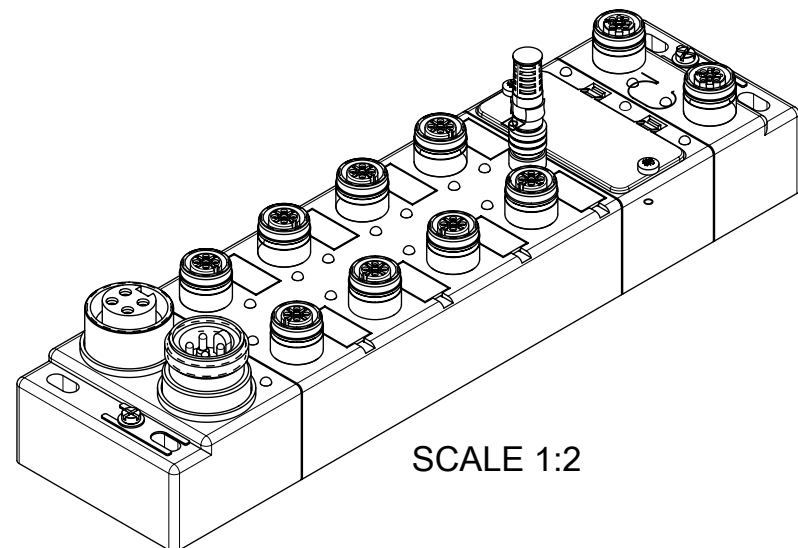


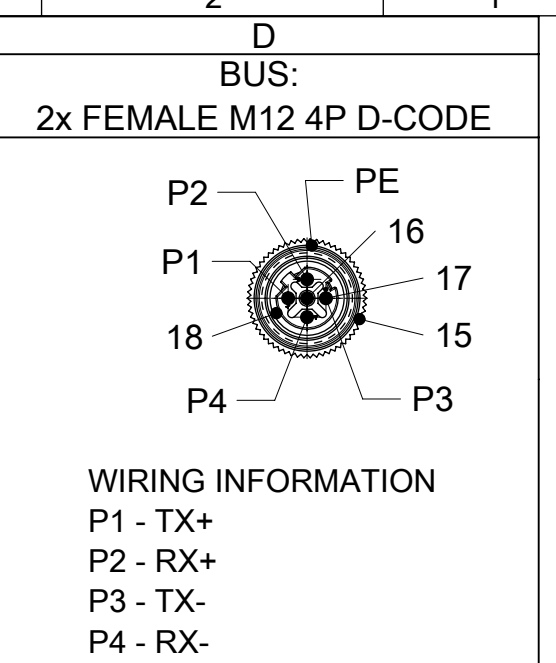
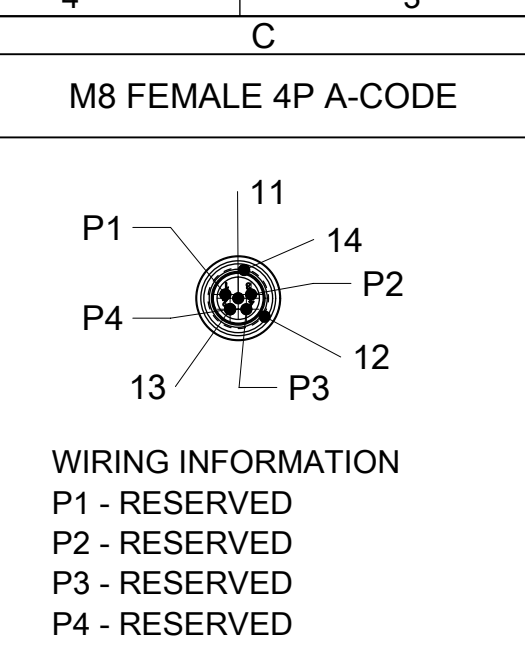
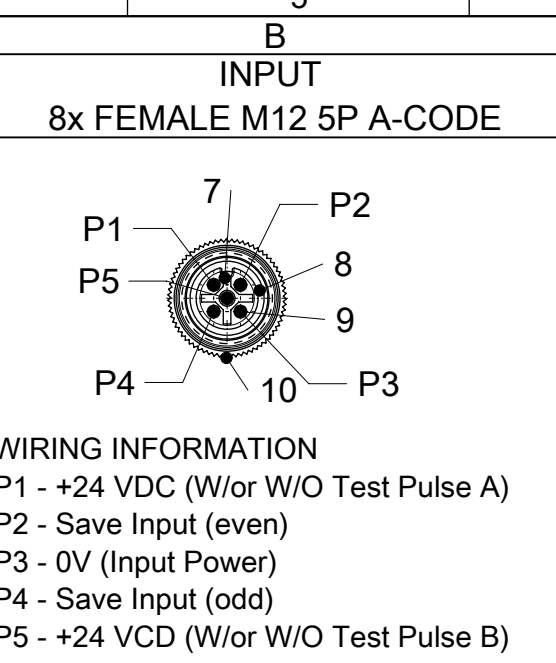
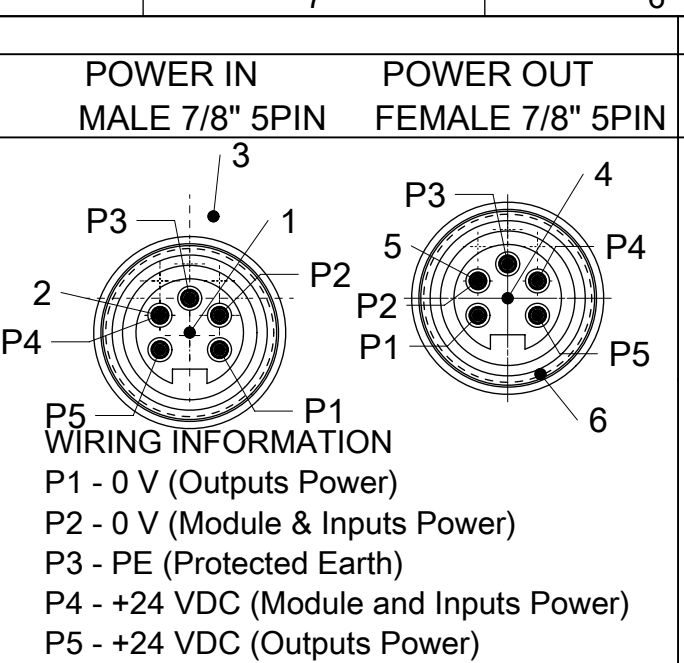
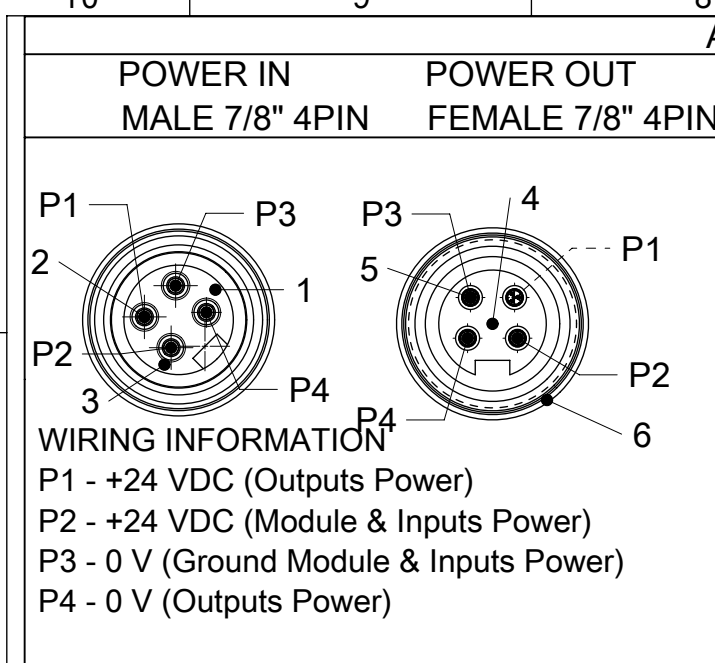
FIXING HOLES
SUITABLE FOR M5
SCREWS

FIXING HOLES
SUITABLE FOR M5
SCREWS



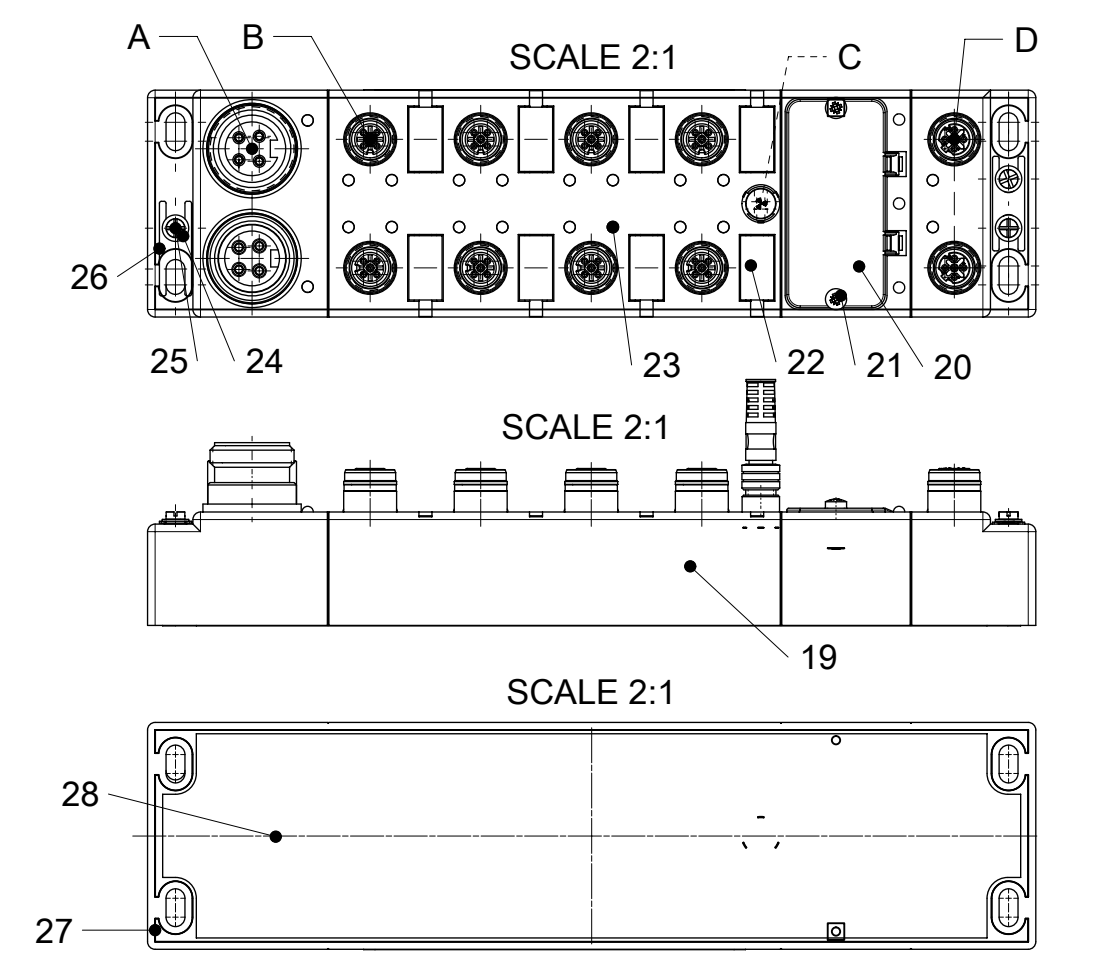
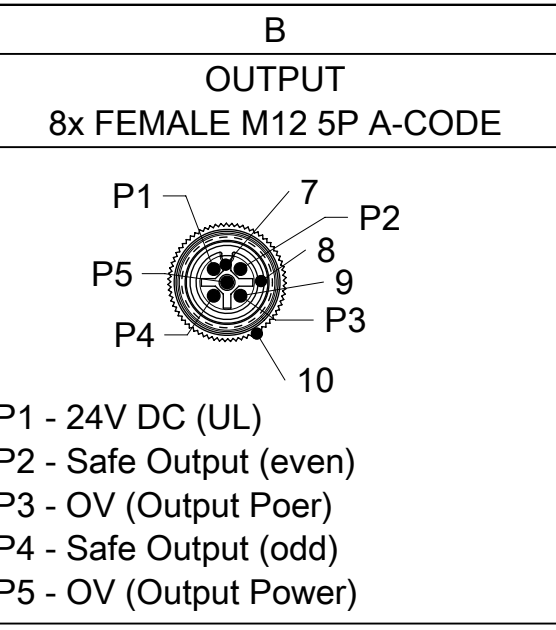
SCALE 1:2

SYMBOLS	THIS DRAWING CONTAINS INFORMATION THAT IS PROPRIETARY TO MOLEX ELECTRONIC TECHNOLOGIES, LLC AND SHOULD NOT BE USED WITHOUT WRITTEN PERMISSION		CURRENT REV DESC:			molex		
	DIMENSION UNITS	SCALE						
▽ = 0	mm		DRWN: ULETTENMEIER	2019/03/07				
▽ = 0	GENERAL TOLERANCES (UNLESS SPECIFIED)		CHK'D: RSILLER	2019/05/10				
▽ = 0	ANGULAR TOL ±		APPR: RSILLER	2019/05/10				
▽ = 0	4 PLACES	±	INITIAL REVISION:		PRODUCT CUSTOMER DRAWING			
▽ = 0	3 PLACES	±	DRWN: ULETTENMEIER	2015/02/09	DOCUMENT NUMBER	DOC TYPE	DOC PART	REVISION
▽ = 0	2 PLACES	±	APPR: RSILLER	2015/11/13	1120955087	PSD	000	B1
▽ = 0	1 PLACE	±	THIRD ANGLE PROJECTION		MATERIAL NUMBER	CUSTOMER	SHEET NUMBER	
▽ = 0	0 PLACES	± 0.1	DRAWING		112095	GENERAL MARKET	1 OF 3	
■ = 0	DRAFT WHERE APPLICABLE MUST REMAIN WITHIN DIMENSIONS		SERIES					
▽ = 0			A3-SIZE					

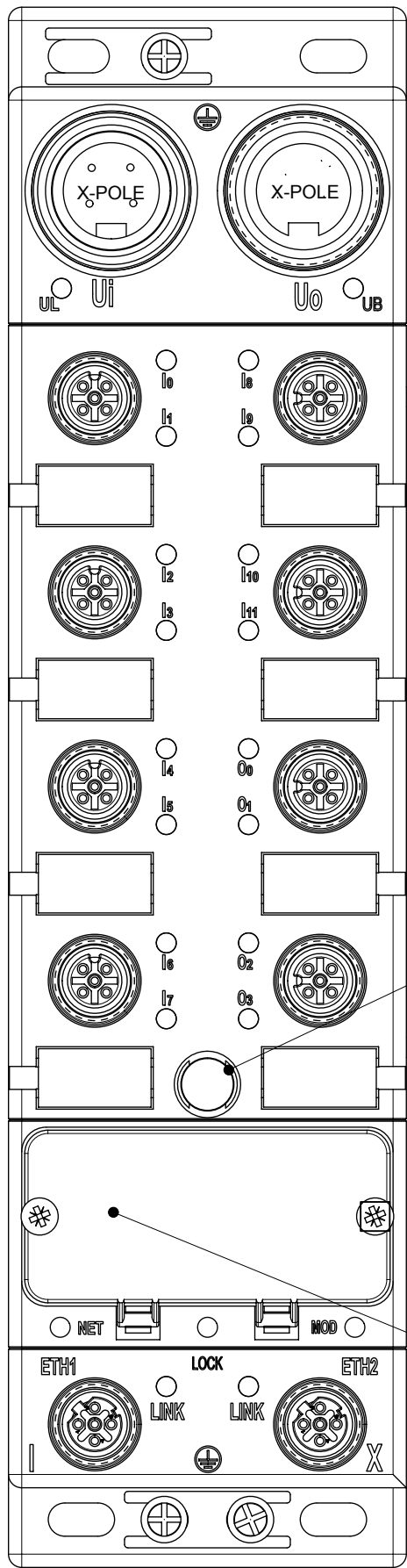


BILL OF MATERIAL

ITEM	DESCRIPTION	MATERIAL	FINISH
1	INSERT	TPE	YELLOW
2	CONTACT	COPPER ALLOY	GOLD OVER NICKEL
3	SHELL	BRASS	NICKEL PLATET
4	INSERT	TPE	YELLOW
5	CONTACT	COPPER ALLOY	GOLD OVER NICKEL
6	SHELL	BRASS	NICKEL PLATET
7	INSERT	TPU	BLACK
8	GASKET	FPM	RED
9	CONTACT	COPPER ALLOY	GOLD OVER NICKEL
10	SHELL	BRASS	NICKEL PLATET
11	INSERT	TPU	BLACK
12	SHELL	BRASS	NICKEL PLATET
13	CONTACT	COPPER ALLOY	GOLD OVER NICKEL
14	GASKET	FPM	RED
15	SHELL	BRASS	NICKEL PLATET
16	INSERT	TPU	BLACK
17	CONTACT	COPPER ALLOY	GOLD OVER NICKEL
18	GASKET	FPM	RED
19	HOUSING	PBT	RED
20	WINDOW	PC	TRANSPARENT
21	SCREW	V2A	V2A
22	LABEL	PC	WHITE
23	FIBER OPTIC	PA	TRANSPARENT
24	WASHER	BRASS	NICKEL PLATET
25	SCREW	V2A	V2A
26	SHIELD PLATE	STAINLESS STEEL	STAINLESS STEEL
27	RESIN	EPOXY	TRANSPARENT
28	LABEL	PVC	WHITE



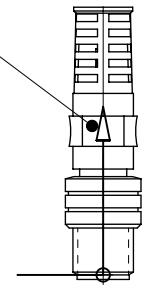
SYMBOLS DIMENSION UNITS: mm SCALE: 2:1 GENERAL TOLERANCES (UNLESS SPECIFIED): ANGULAR TOL: ± 0° 4 PLACES: ± 0.1 3 PLACES: ± 0.2 2 PLACES: ± 0.3 1 PLACE: ± 0.4 0 PLACES: ± 0.5 DRAFT WHERE APPLICABLE MUST REMAIN WITHIN DIMENSIONS	THIS DRAWING CONTAINS INFORMATION THAT IS PROPRIETARY TO MOLEX ELECTRONIC TECHNOLOGIES, LLC AND SHOULD NOT BE USED WITHOUT WRITTEN PERMISSION CURRENT REV DESC:			
	EC NO: 616956 DRWN: ULETTENMEIER 2019/03/07 CHK'D: RSILLER 2019/05/10 APPR: RSILLER 2019/05/10		DBO HARSH IO SAFETY 60/30 MM 7/8" 4P AC MA FE U12 5P 8PT AC FE U12 4P 2PT BC FE	
	INITIAL REVISION: DRWN: ULETTENMEIER 2015/02/09 APPR: RSILLER 2015/11/13		PRODUCT CUSTOMER DRAWING DOCUMENT NUMBER: 1120955087 DOC TYPE: PSD DOC PART: 000 REVISION: B1	
	THIRD ANGLE PROJECTION		DRAWING: A3-SIZE	SERIES: 112095



12 IN / 4 OUT IN PRINTING

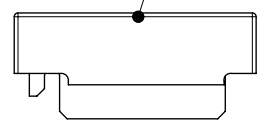
TABLE 1 12 IN / 4 OUT PRINTING					
HARSH SAFETY I/O					3D MODEL NO.
POWER TYPE	KEY TYPE	INPUT/OUTPUT		ENG. NO	
7/8" 5 POLE	M8 KEY	12 IN	4 OUT	TCDEC-8B4P-D1U-G8	1120955129
7/8" 5 POLE	M8 KEY	12 IN	2 BIPOLAR OUT	TCDEC-8B4B-D1U-G8	1120955130
7/8" 5 POLE	WINDOW KEY	12 IN	4 OUT	TCDEC-8B4P-D1U-GW	1120955111
7/8" 5 POLE	WINDOW KEY	12 IN	2 BIPOLAR OUT	TCDEC-8B4B-D1U-GW	1120955112
1120955091 (PDM)					
7/8" 4 POLE	M8 KEY	12 IN	4 OUT	TCDEC-8B4P-DYU-G8	1120955127
7/8" 4 POLE	M8 KEY	12 IN	2 BIPOLAR OUT	TCDEC-8B4B-DYU-G8	1120955128
7/8" 4 POLE	WINDOW KEY	12 IN	4 OUT	TCDEC-8B4P-DYU-GW	1120955107
7/8" 4 POLE	WINDOW KEY	12 IN	2 BIPOLAR OUT	TCDEC-8B4B-DYU-GW	1120955108
1120955087 (PDM)					

M8 KEY SEE TABLE 1



SCALE 1:1

WINDOW KEY SEE TABLE 1



SCALE 2:1

SYMBOLS	THIS DRAWING CONTAINS INFORMATION THAT IS PROPRIETARY TO MOLEX ELECTRONIC TECHNOLOGIES, LLC AND SHOULD NOT BE USED WITHOUT WRITTEN PERMISSION	CURRENT REV DESC:		molex																	
	<table border="1"> <tr> <th>DIMENSION UNITS</th> <th>SCALE</th> </tr> <tr> <td>mm</td> <td></td> </tr> <tr> <td colspan="2">GENERAL TOLERANCES (UNLESS SPECIFIED)</td> </tr> <tr> <td>ANGULAR TOL</td> <td>± °</td> </tr> <tr> <td>4 PLACES</td> <td>±</td> </tr> <tr> <td>3 PLACES</td> <td>±</td> </tr> <tr> <td>2 PLACES</td> <td>±</td> </tr> <tr> <td>1 PLACE</td> <td>±</td> </tr> <tr> <td>0 PLACES</td> <td>± 0.1</td> </tr> </table>	DIMENSION UNITS	SCALE		mm		GENERAL TOLERANCES (UNLESS SPECIFIED)		ANGULAR TOL	± °	4 PLACES	±	3 PLACES	±	2 PLACES	±	1 PLACE	±	0 PLACES	± 0.1	EC NO: 616956 DRWN: ULETTENMEIER 2019/03/07 CHK'D: RSILLER 2019/05/10 APPR: RSILLER 2019/05/10
DIMENSION UNITS	SCALE																				
mm																					
GENERAL TOLERANCES (UNLESS SPECIFIED)																					
ANGULAR TOL	± °																				
4 PLACES	±																				
3 PLACES	±																				
2 PLACES	±																				
1 PLACE	±																				
0 PLACES	± 0.1																				
		INITIAL REVISION:		PRODUCT CUSTOMER DRAWING																	
		DRWN: ULETTENMEIER 2015/02/09 APPR: RSILLER 2015/11/13		DOCUMENT NUMBER: 1120955087 DOC TYPE: PSD DOC PART: 000 REVISION: B1																	
	DRAFT WHERE APPLICABLE MUST REMAIN WITHIN DIMENSIONS	THIRD ANGLE PROJECTION	DRAWING: A3-SIZE	SHEET NUMBER: 3 OF 3																	