



Fuseless motor starter Direct start 600VAC Size S00 0.45-0.63A
110/120VAC 50/60HZ screw connection For screw mounting Or 35 mm
rail-mounting Type of coordination 2 IQ = 150 KA Also full fills type Of
coordination 1 1NO+1NC (MSP) 1NO (contactor)

| | |
|--|---|
| product brand name | SIRIUS |
| product designation | non-fused motor starter 3RA2 |
| design of the product | direct starter |
| manufacturer's article number | |
| <ul style="list-style-type: none"> • of the supplied contactor • of the supplied circuit-breakers • of the supplied link module | 3RT2015-1AK61 3RV2011-0GA15 3RA1921-1DA00 |
| General technical data | |
| size of the circuit-breaker | S00 |
| size of load feeder | S00 |
| product extension auxiliary switch | Yes |
| insulation voltage with degree of pollution 3 at AC rated value | 690 V |
| degree of pollution | 3 |
| surge voltage resistance rated value | 6 kV |
| shock resistance according to IEC 60068-2-27 | 6g / 11 ms |
| mechanical service life (switching cycles) of contactor typical | 30 000 000 |
| type of assignment | 2 |
| Ambient conditions | |
| ambient temperature | |
| <ul style="list-style-type: none"> • during operation • during storage • during transport | -20 ... +60 °C -50 ... +80 °C -55 ... +80 °C |
| Main circuit | |
| number of poles for main current circuit | 3 |
| design of the switching contact | electromechanical |
| adjustable current response value current of the current-dependent overload release | 0.45 ... 0.63 A |
| operating voltage | |
| <ul style="list-style-type: none"> • rated value • at AC-3 rated value maximum | 690 V 690 V |
| operating frequency rated value | 50 ... 60 Hz |
| operational current at AC-3 at 400 V rated value | 0.6 A |
| operating power at AC-3 | |
| <ul style="list-style-type: none"> • at 400 V rated value • at 500 V rated value • at 690 V rated value | 180 W 180 W 250 W |
| Control circuit/ Control | |
| control supply voltage at AC | |

| | | |
|--|---|----------------------------------|
| <ul style="list-style-type: none"> • at 50 Hz rated value • at 50 Hz rated value • at 60 Hz rated value • at 60 Hz rated value | 110 V | |
| | 93.5 ... 121 V | |
| | 120 V | |
| | 96 ... 132 V | |
| apparent holding power of magnet coil at AC | 4.8 VA | |
| inductive power factor with the holding power of the coil | 0.25 | |
| Auxiliary circuit | | |
| number of NC contacts for auxiliary contacts | 1 | |
| number of NO contacts for auxiliary contacts | 2 | |
| Protective and monitoring functions | | |
| trip class | CLASS 10 | |
| design of the overload release | thermal (bimetallic) | |
| response value current of instantaneous short-circuit trip unit | 8.19 A | |
| Short-circuit protection | | |
| product function short circuit protection | Yes | |
| design of the short-circuit trip | magnetic | |
| conditional short-circuit current (I_q) | | |
| <ul style="list-style-type: none"> • at 690 V according to IEC 60947-4-1 rated value • at 400 V according to IEC 60947-4-1 rated value • at 500 V according to IEC 60947-4-1 rated value | 100 000 A | |
| | 153 000 A | |
| | 100 000 A | |
| Installation/ mounting/ dimensions | | |
| mounting position | vertical | |
| fastening method | Snap-mounted to DIN rail or screw-mounted with additional push-in lug | |
| height | 167.2 mm | |
| width | 45 mm | |
| depth | 97.1 mm | |
| required spacing | | |
| <ul style="list-style-type: none"> • for grounded parts <ul style="list-style-type: none"> — forwards — backwards — upwards — at the side — downwards • for live parts <ul style="list-style-type: none"> — forwards — backwards — upwards — downwards — at the side | 0 mm | |
| | 0 mm | |
| | 20 mm | |
| | 9 mm | |
| | 10 mm | |
| | 0 mm | |
| | 0 mm | |
| | 20 mm | |
| | 10 mm | |
| | 9 mm | |
| Connections/ Terminals | | |
| type of electrical connection for main current circuit | screw-type terminals | |
| type of connectable conductor cross-sections | | |
| <ul style="list-style-type: none"> • for main contacts stranded • at AWG cables for main contacts | 0.5 ... 4 mm ² , 2x (0.75 ... 2.5 mm ²) | |
| | 2x (20 ... 16), only for contactor 2x (18 ... 14), 2x 12 | |
| connectable conductor cross-section for main contacts finely stranded with core end processing | 0.5 ... 2.5 mm ² | |
| Safety related data | | |
| B10 value with high demand rate according to SN 31920 | 1 000 000 | |
| proportion of dangerous failures with high demand rate according to SN 31920 | 73 % | |
| protection class IP on the front according to IEC 60529 | IP20 | |
| touch protection on the front according to IEC 60529 | finger-safe, for vertical contact from the front | |
| Certificates/ approvals | | |
| General Product Approval | For use in hazardous locations | Declaration of Conformity |



[Confirmation](#)



| Declaration of Conformity | Test Certificates | Marine / Shipping |
|---------------------------|-------------------|-------------------|
|---------------------------|-------------------|-------------------|



EG-Konf.

[Special Test Certificate](#)

[Type Test Certificates/Test Report](#)



ABS



BUREAU VERITAS



LRS

| Marine / Shipping | other | Railway |
|-------------------|-------|---------|
|-------------------|-------|---------|



PRS



RINA



RMRS



DNV-GL

[Confirmation](#)

[Vibration and Shock](#)

Further information

Information- and Downloadcenter (Catalogs, Brochures,...)

<https://www.siemens.com/ic10>

Industry Mall (Online ordering system)

<https://mall.industry.siemens.com/mall/en/en/Catalog/product?mlfb=3RA2115-0GA15-1AK6>

Cax online generator

<http://support.automation.siemens.com/WW/CAXorder/default.aspx?lang=en&mlfb=3RA2115-0GA15-1AK6>

Service&Support (Manuals, Certificates, Characteristics, FAQs,...)

<https://support.industry.siemens.com/cs/ww/en/ps/3RA2115-0GA15-1AK6>

Image database (product images, 2D dimension drawings, 3D models, device circuit diagrams, EPLAN macros, ...)

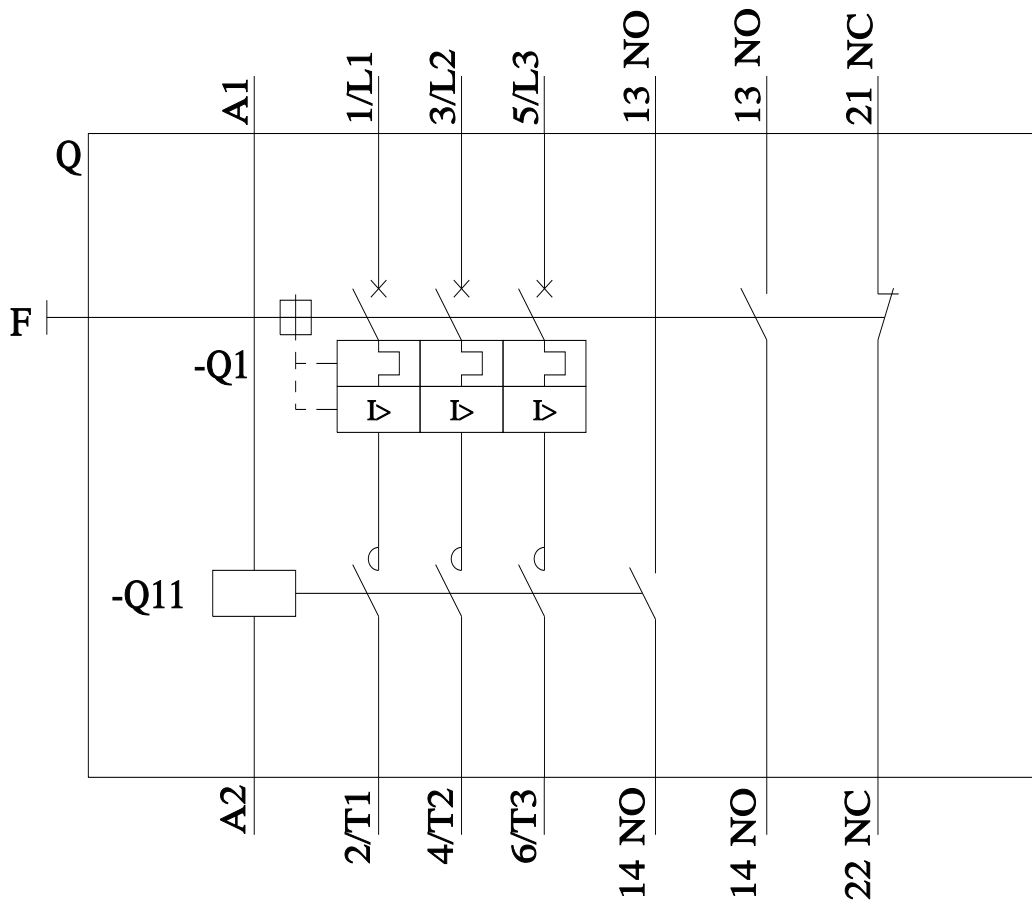
http://www.automation.siemens.com/bilddb/cax_de.aspx?mlfb=3RA2115-0GA15-1AK6&lang=en

Characteristic: Tripping characteristics, I_t, Let-through current

<https://support.industry.siemens.com/cs/ww/en/ps/3RA2115-0GA15-1AK6/char>

Further characteristics (e.g. electrical endurance, switching frequency)

<http://www.automation.siemens.com/bilddb/index.aspx?view=Search&mlfb=3RA2115-0GA15-1AK6&objecttype=14&gridview=view1>



last modified:

12/15/2020 ↻