

REV. PA1	SHEET 1 OF 3	DOCUMENT NO. 10-504637-008
REVISIONS		
LTR	DESCRIPTION	DATE
PA1	INITIAL RELEASE	10/19/15

10-504637-008

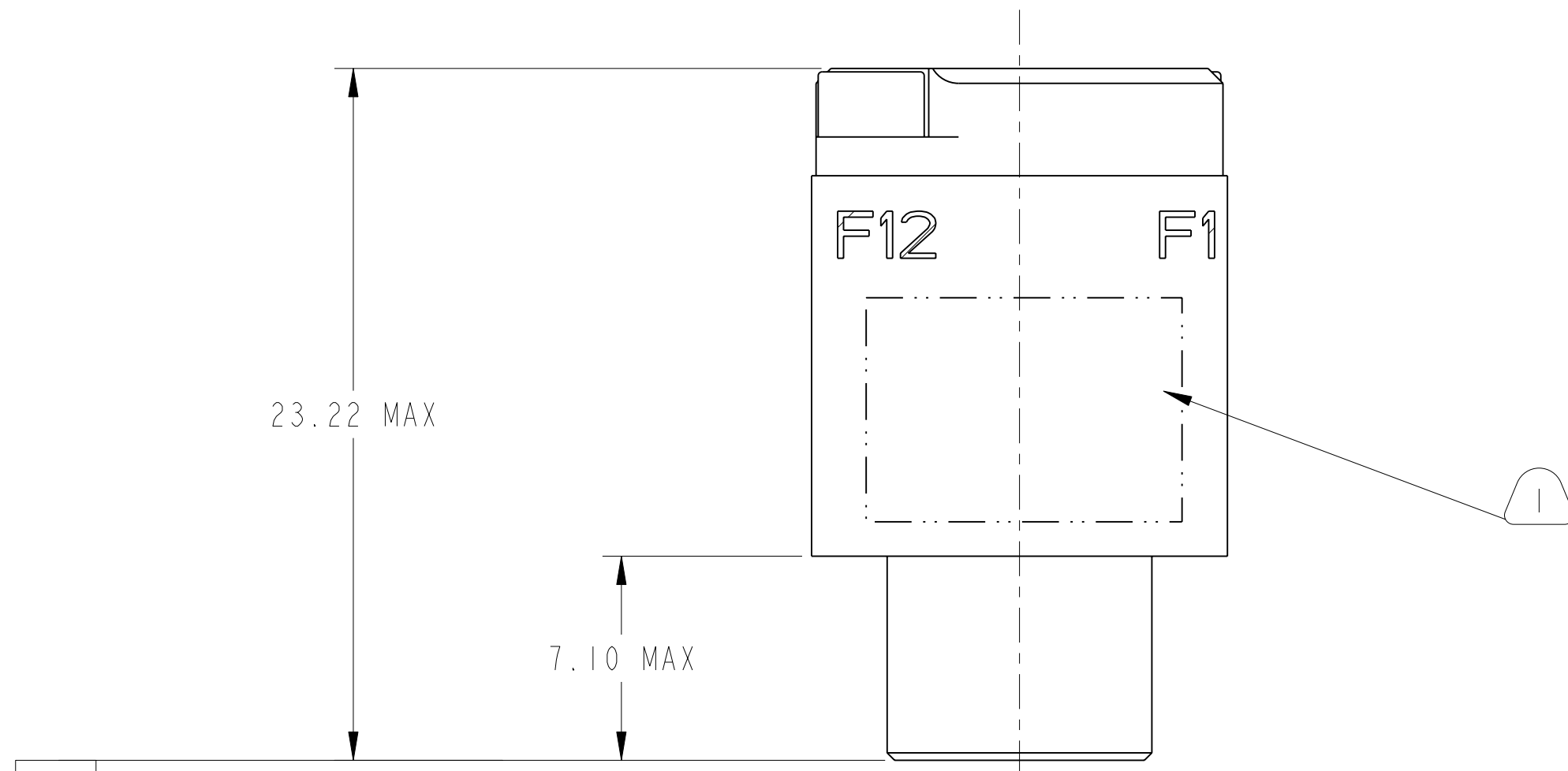
SHEET 1 OF 3

PA1

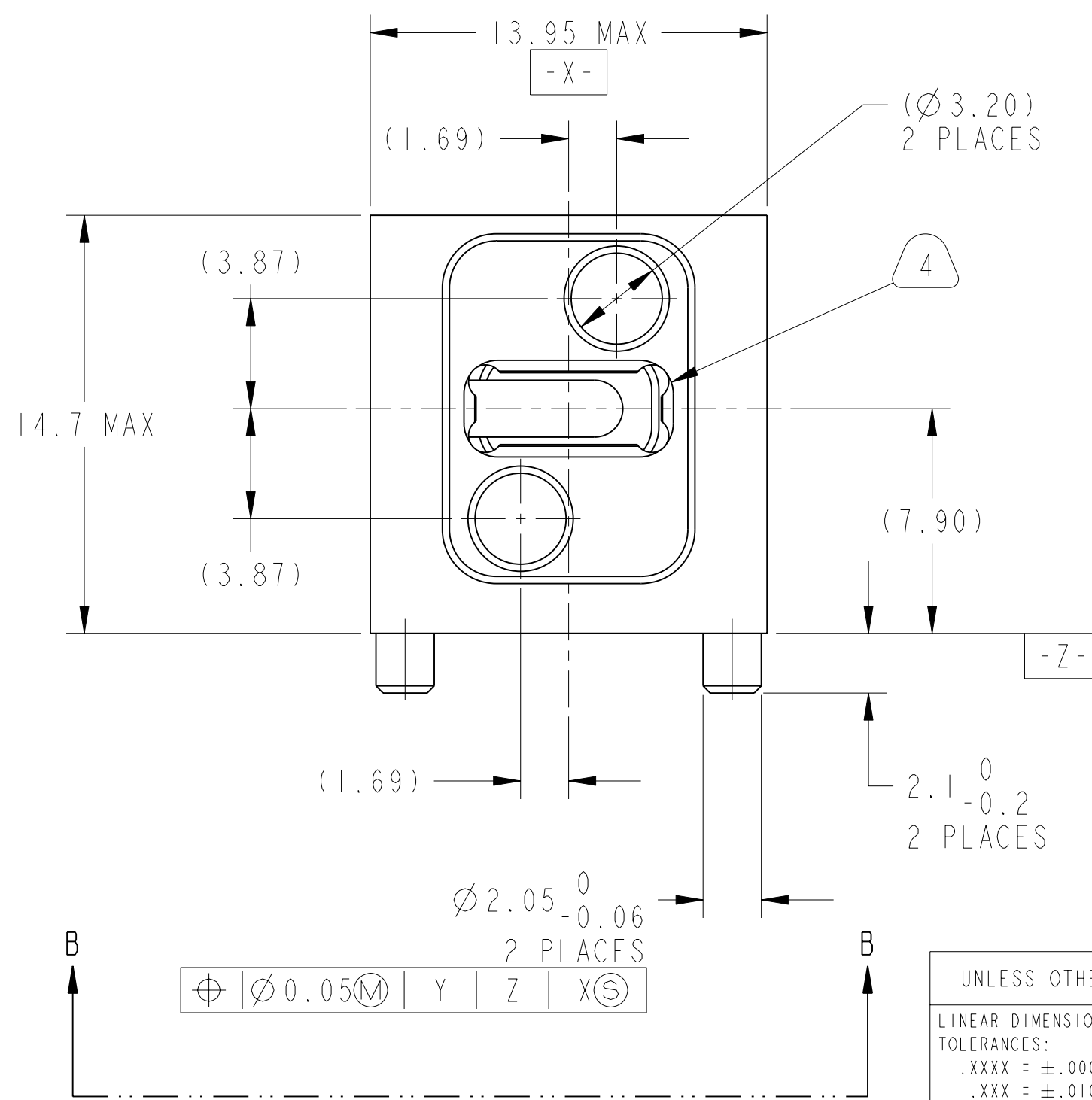
C

B

A



-Y-



-Z-

$\varnothing 0.05$	M	Y	Z	X	S
--------------------	---	---	---	---	---

SCALE 5.000

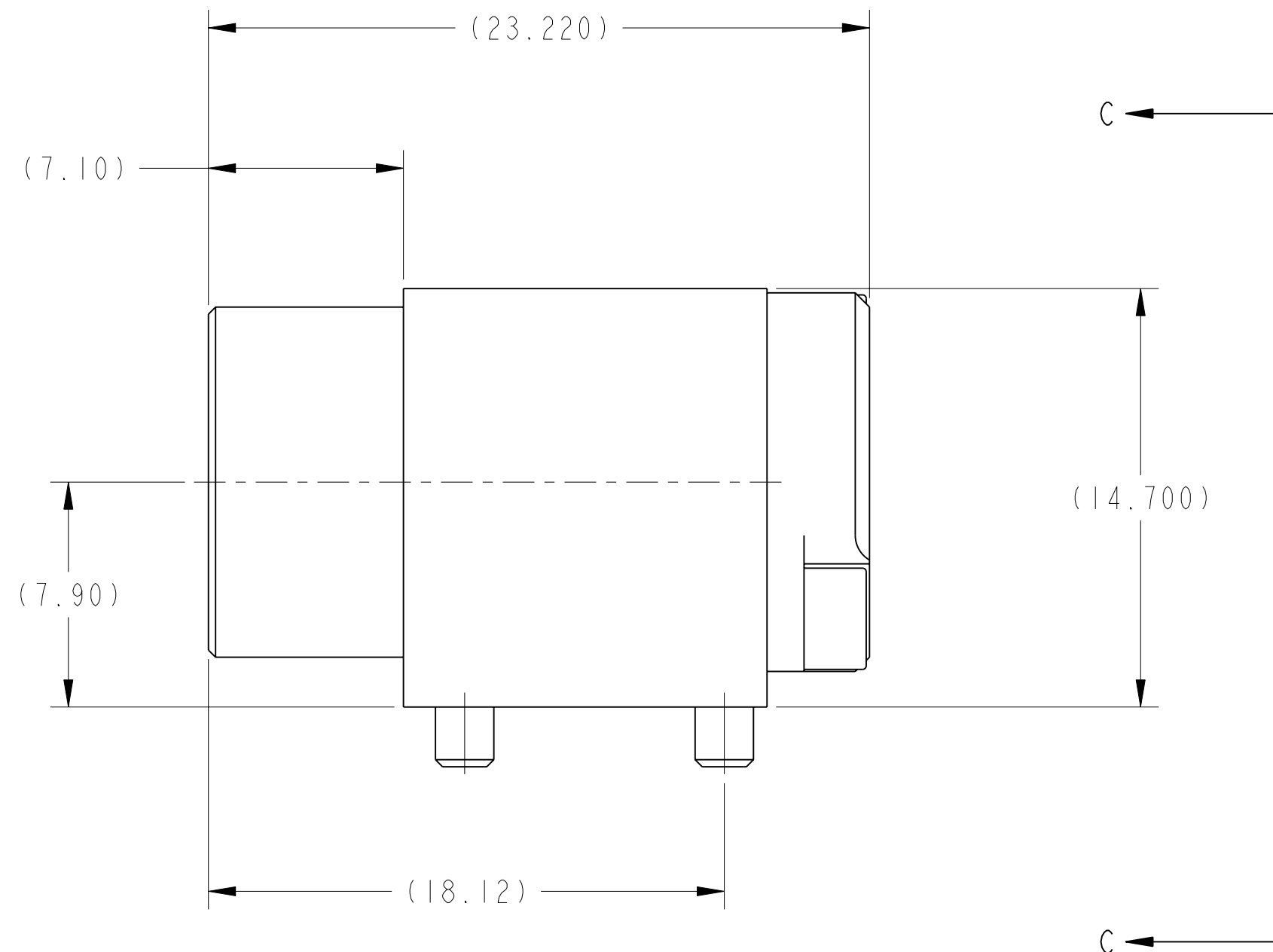
SEE SHEET 2

NOTES:

THE USE OF THIS DOCUMENT IS UNLIMITED. HOWEVER, DOCUMENTS REFERENCED HEREON MAY CONTAIN LIMITED RIGHTS DATA.

N/A	PRO/ENGINEER INFORMATION
N/A	Pro/e Model Used: 10-504637-008.DWG.ASSEM
NEXT ASSEMBLY	Drawing Name: 10-504637-008

UNLESS OTHERWISE SPECIFIED	SPECIFICATIONS	POS	QTY	PART NUMBER	DESCRIPTION	NOTE
LINEAR DIMENSIONS ARE IN INCHES TOLERANCES: .XXXX = ± 0.0005 ANGLES = $\pm 2^\circ$.XXX = ± 0.010 .XX = ± 0.03 .X = ± 0.1	MATERIAL SPEC.	APPROVALS		DATE	PARTS LIST	
	NA	PREPARED BY R. CHAPMAN	DATE 19-01-15	AMPHENOL CORPORATION 40-60 DELAWARE AVENUE SIDNEY, N.Y. 13838		
DIM. & TOL. PER ASME Y14.5M; DRM PER MIL-DTL-31000; OTHER Amphenol Sds. PER 9-3800	PROCESS SPEC.	DESIGN MANAGER R. SELFRIDGE	DESIGN ACTIVITY GROUP BLP	CONNECTOR, FIBER OPTIC, MODULE, 1 MT (VITA 66.4)		
	9-3856-5 9-3895	THIRD ANGLE PROJECTION		SIZE C	CAGE CODE 77820	DOCUMENT NO. 10-504637-008
LEGENDS: = FLAG NOTE CALL OUT REFERENCE ONLY			SCALE: 3.0	REF: NA	SHEET 1 OF 3	REV. PA1

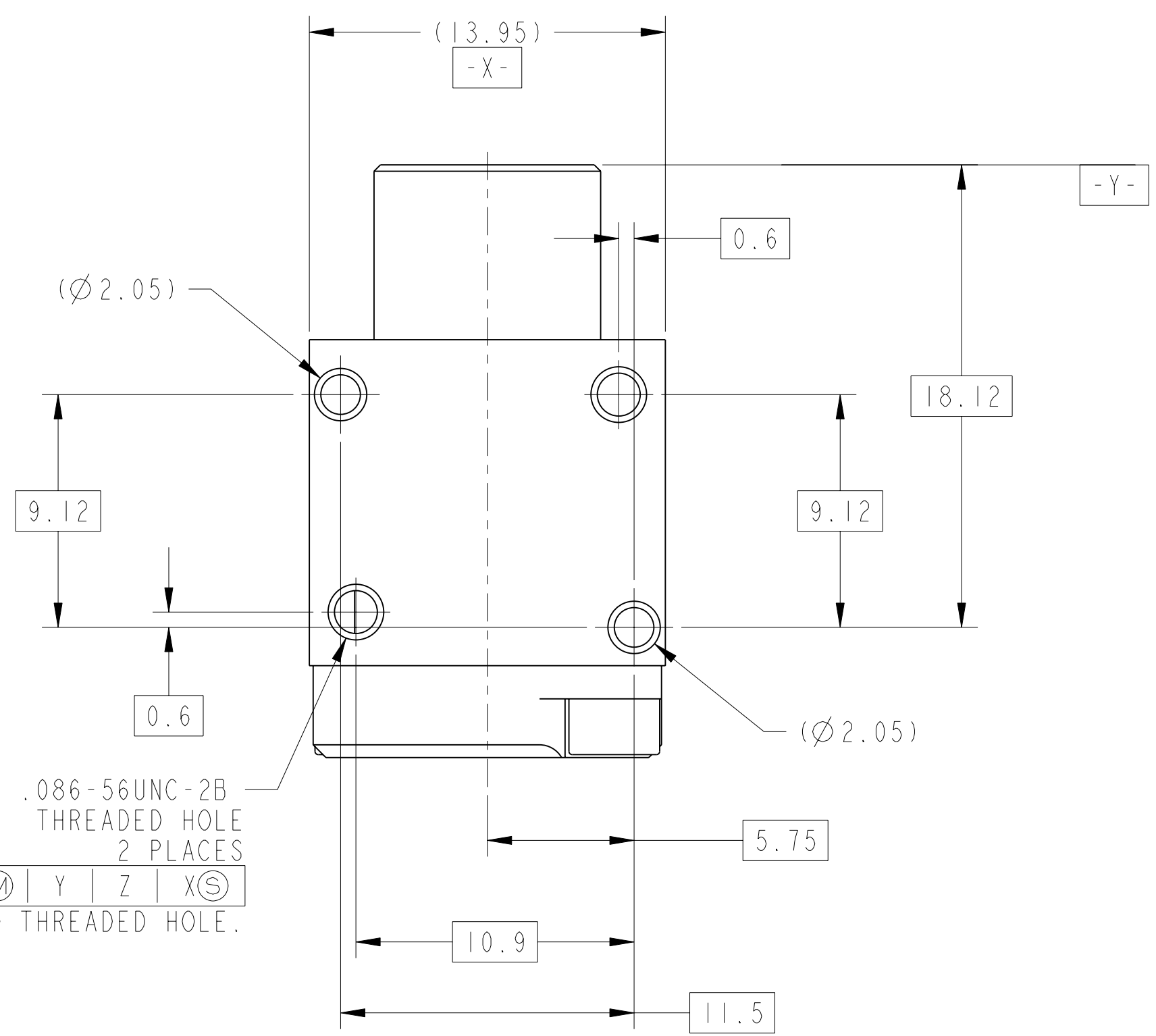


10-504637-008

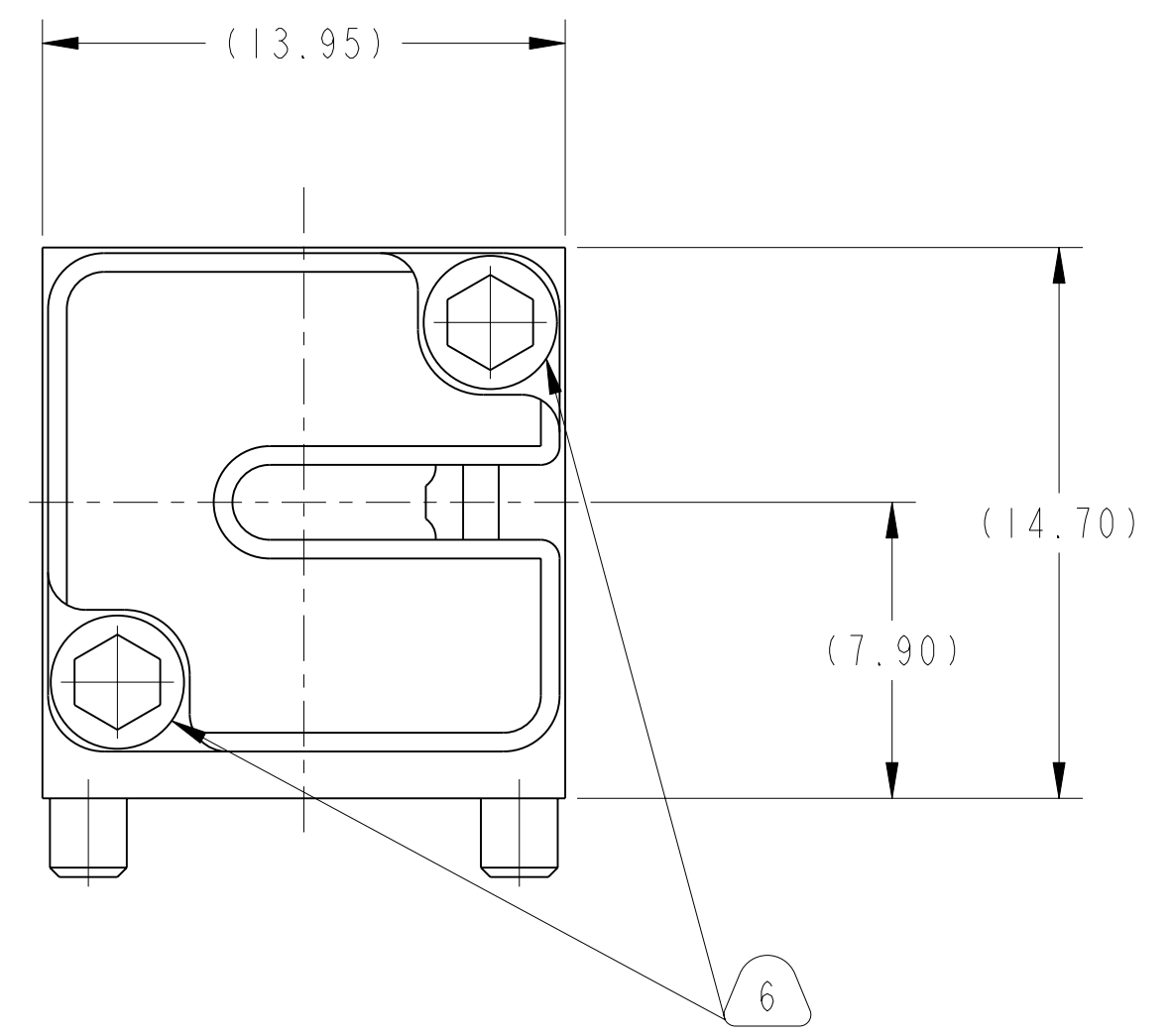
SHEET 1 OF 3

PA1

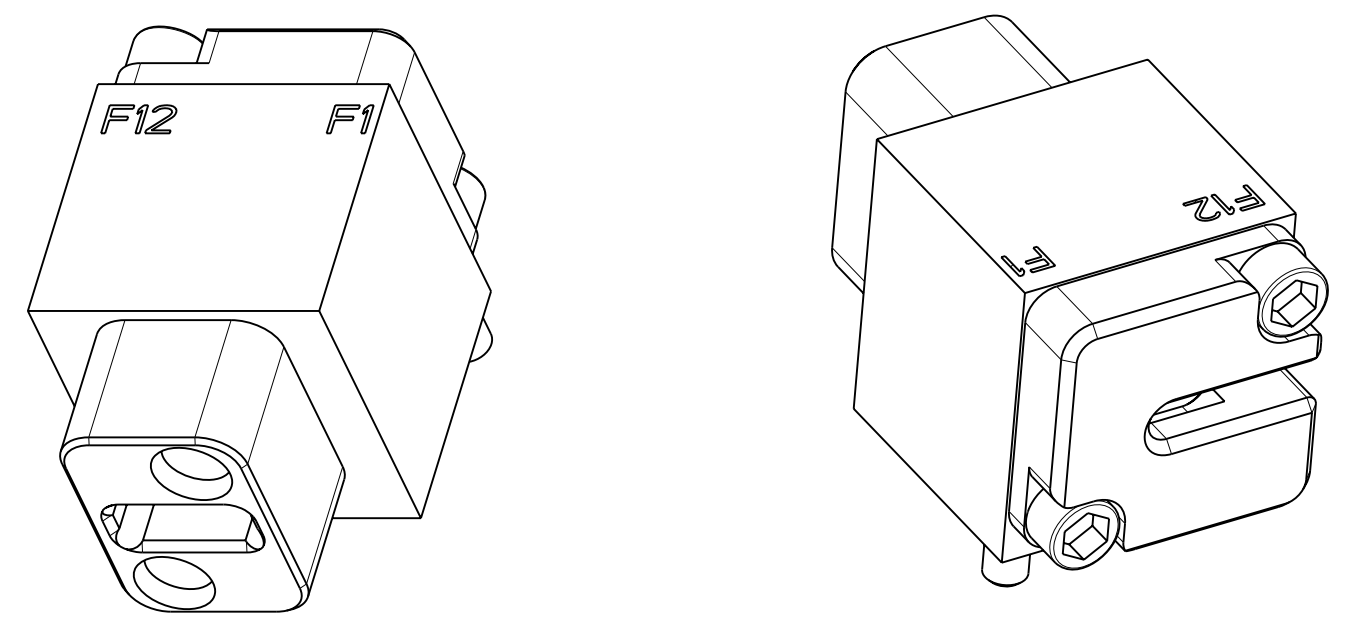
A



VIEW AT B



VIEW AT C



7. RETAINER SCREWS TO BE TIGHTENED TO A TORQUE OF 2 -3 IN-LBS. RETAINER SHOULD BE BOTTOMED ON CONNECTOR BODY.
6. MT PIN CLAMP ASSEMBLIES ARE SHIPPED UNASSEMBLED.
4. INSERT CAVITIY IS FOR A FIBER OPTIC MT FERRULE PER IEC 1754-5-4. MT FERRULES AND ASSOCIATED RIBBON CABLE ARE NOT PART OF THIS ASSEMBLY. GUIDE PINS FOR MT FERRULES ARE INCLUDED IN THE ASSEMBLY.
3. FOR CONNECTOR INSTALLATION ILLUSTRATION SEE SHEET 3.
2. FOR MATING BACKPLANE CONNECTOR ASSEMBLY, SEE DRAWING 10-504639-006.
1. BLACK INK STAMP PART NUMBER AND DATE CODE ON INDICATED SURFACE PER 9-3856-5. DATE CODE PER 9-3895. CHARACTERS TO BE .062±.020 HIGH. ADDITIONAL INFORMATION MAY BE REQUESTED BY PURCHASE ORDER. STAMP ING CAN BE ON BOTH SIDES OF PART.

MATERIALS AND FINISHES

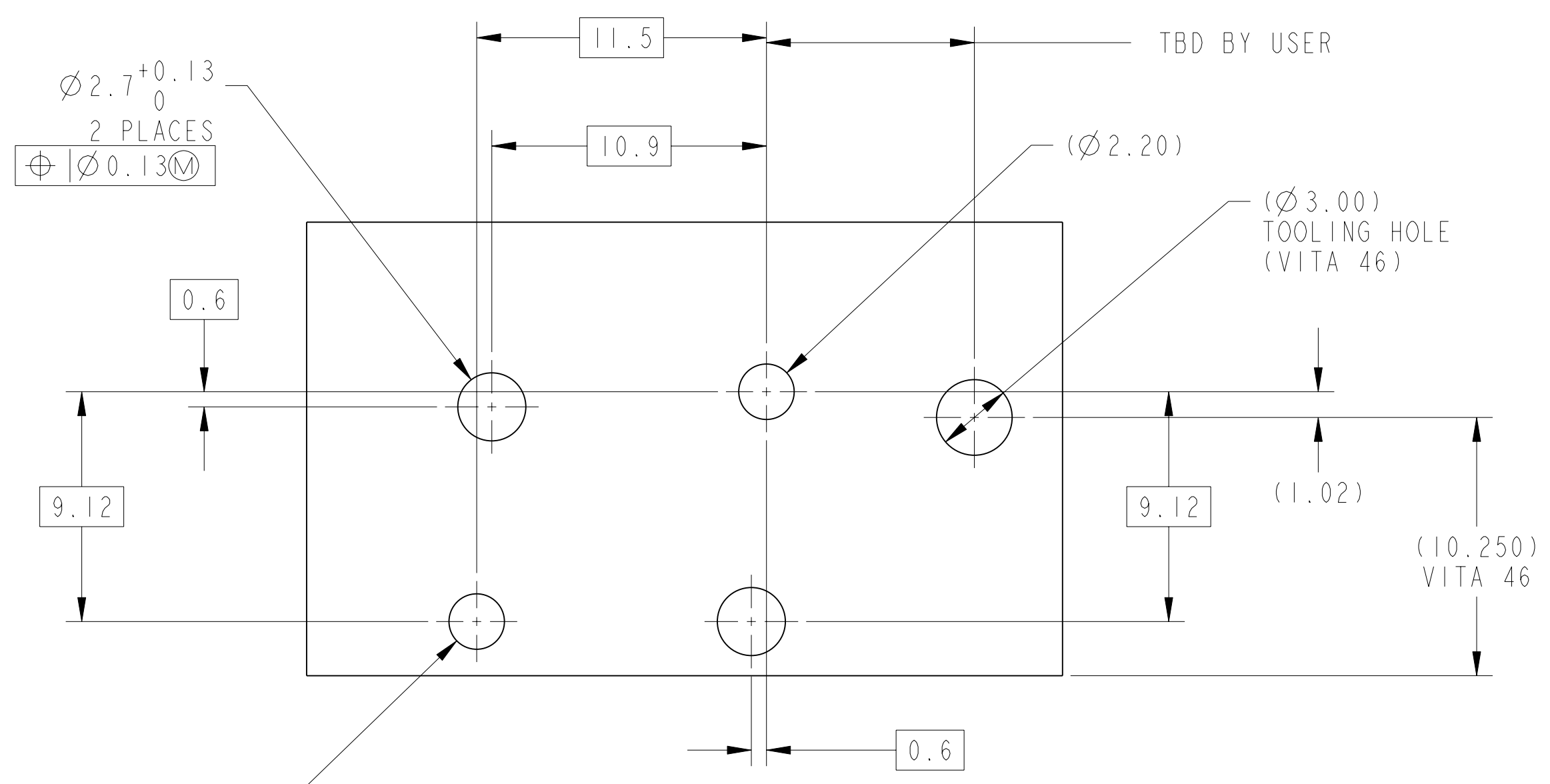
COMPONENT	MATERIAL/ FINISH
MAIN BODY	BODY - MATERIAL - ALUM. ALLOY PER AMS 4150 FINISH - CHROMATE TREATMENT PER MIL-C-5541, CL 3 HELICAL INSERTS - STAINLESS STEEL 304 SERIES PASSIVATED
MT RETAINER	BODY - MATERIAL - ALUM. ALLOY PER AMS 4150 FINISH - CHROMATE TREATMENT PER MIL-C-5541, CL 3 SCREW - STAINLESS STEEL 300 SERIES PASSIVATED
PIN CLAMP ASSEMBLY	BODY - GLASS FILLED LIQUID CRYSTAL POLYMER ALIGNMENT PINS - STAINLESS STEEL 303 SERIES, PASSIVATED

THE USE OF THIS DOCUMENT IS UNLIMITED. HOWEVER, DOCUMENTS REFERENCED HEREON MAY CONTAIN LIMITED RIGHTS DATA.

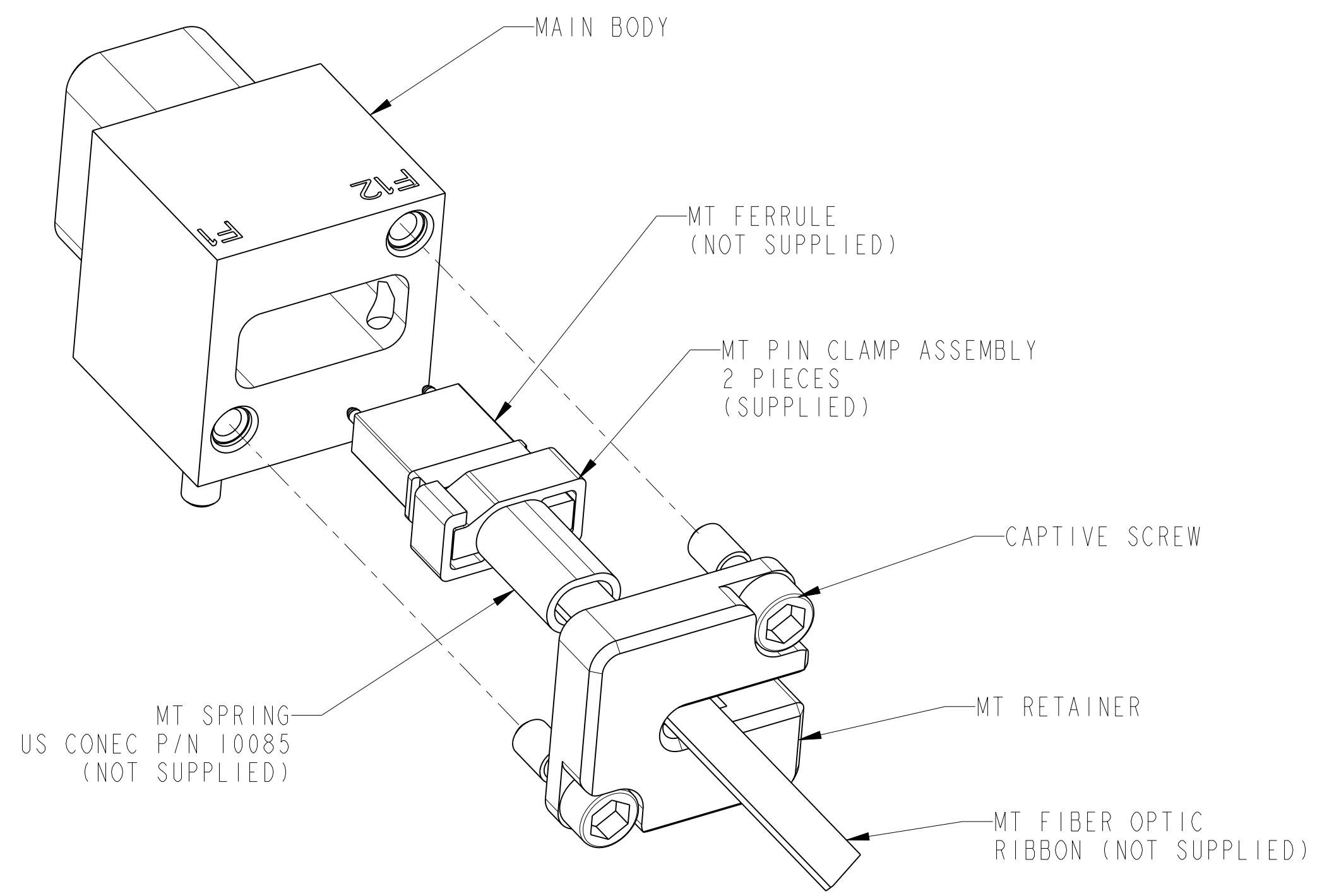
SIZE C	CAGE CODE 77820	DOCUMENT NO. 10-504637-008	REV. PA1
SCALE: 3.0	REF: NA	SHEET 2 OF 3	

DOCUMENT NO. 10-504637-008 SHEET 2 OF 3 REV. PA1

DOCUMENT NO. 10-504637-008 SHEET 2 OF 3 REV. PA1



**SUGGESTED MODULE PCB
INTERFACE DIMENSIONS**
SCALE 5.000



**REAR EXPLODED
ASSEMBLY VIEW**
SCALE 4.000

THE USE OF THIS DOCUMENT IS UNLIMITED. HOWEVER, DOCUMENTS REFERENCED HEREON MAY CONTAIN LIMITED RIGHTS DATA.

SIZE C	CAGE CODE 77820	DOCUMENT NO. 10-504637-008	REV. PA1
SCALE: 3.0	REF.	NA	SHEET 3 OF 3

10-504637-008 DOCUMENT NO. SHEET 3 OF 3 PA1 REV. PA1