

6

5

4

3

2

1

E

E

D

D

C

C

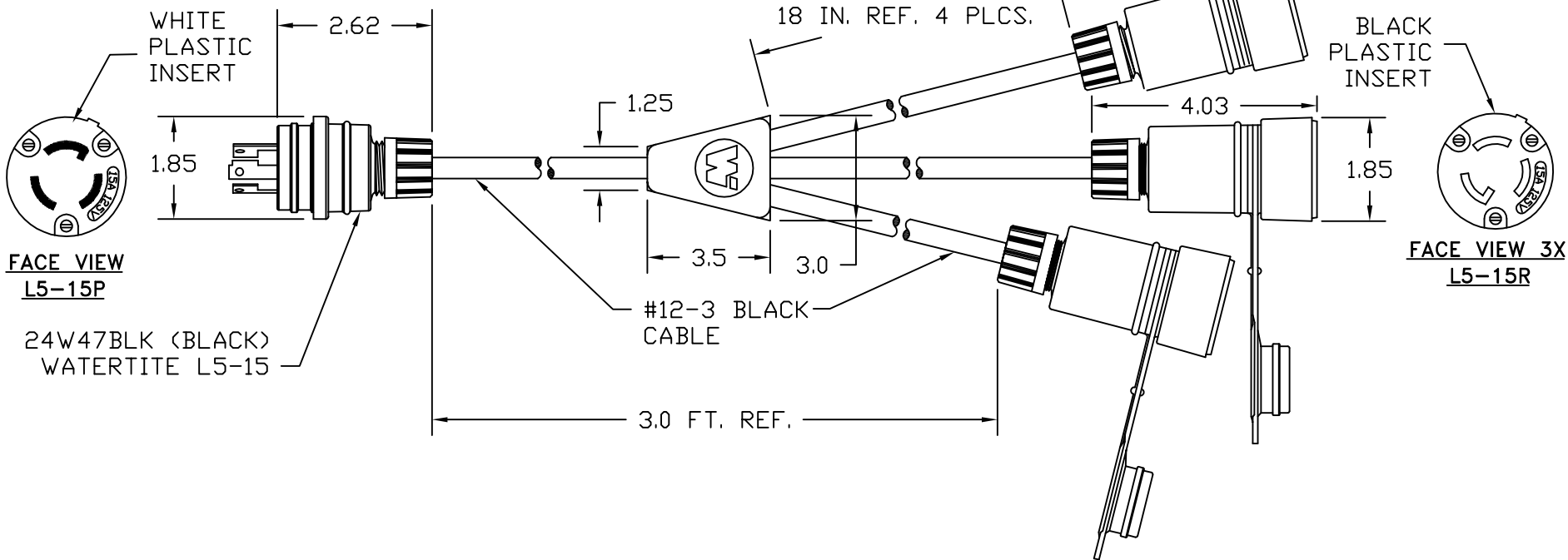
B

B

A

A

(3) 25W47BLK (BLACK)
WATERTITE L5-15



QUOTE #A200904256	MATERIAL #1301540115
CUSTOMER APPROVAL SIGNATURE & DATE	
SIGNATURE	DATE

CUSOTMER APPROVAL DWG
 EC NO: WNA2009-0579
 DRWN: HKNEELAN 3/1/09
 CHKD: DWILLIAM 2009/03/11
 APPR: DTTITUS 2009/03/23

QUALITY SYMBOLS
 ▽=0
 ▽/C=0

GENERAL TOLERANCES (UNLESS SPECIFIED)

	mm	INCH
4 PLACES	±----	±----
3 PLACES	±----	±----
2 PLACES	±----	±----
1 PLACE	±----	±----

ANGULAR ±.5°

DRAFT WHERE APPLICABLE
MUST REMAIN
WITHIN DIMENSIONS

DIMENSION STYLE
INCH

DRAWN BY	DATE
HKNEELAN	2009/03/11
CHECKED BY	DATE
HKNEELAN	2009/03/11
APPROVED BY	DATE
DWILLIAM	2009/03/11
MATERIAL NO.	
1301540115	
SIZE	
A	

SCALE
NTS

DESIGN UNITS
INCH

THIRD ANGLE PROJECTION

TITLE

MOLED "W" SPLICE
NEMA L5-15 PLUG & CONN
#12-3 SOOW CABLE

MOLEX INCORPORATED

DOCUMENT NO.
SD-130154-003

SHEET NO.
1 OF 1

THIS DRAWING CONTAINS INFORMATION THAT IS PROPRIETARY TO MOLEX INCORPORATED AND SHOULD NOT BE USED WITHOUT WRITTEN PERMISSION

6

5

4

3

2

1