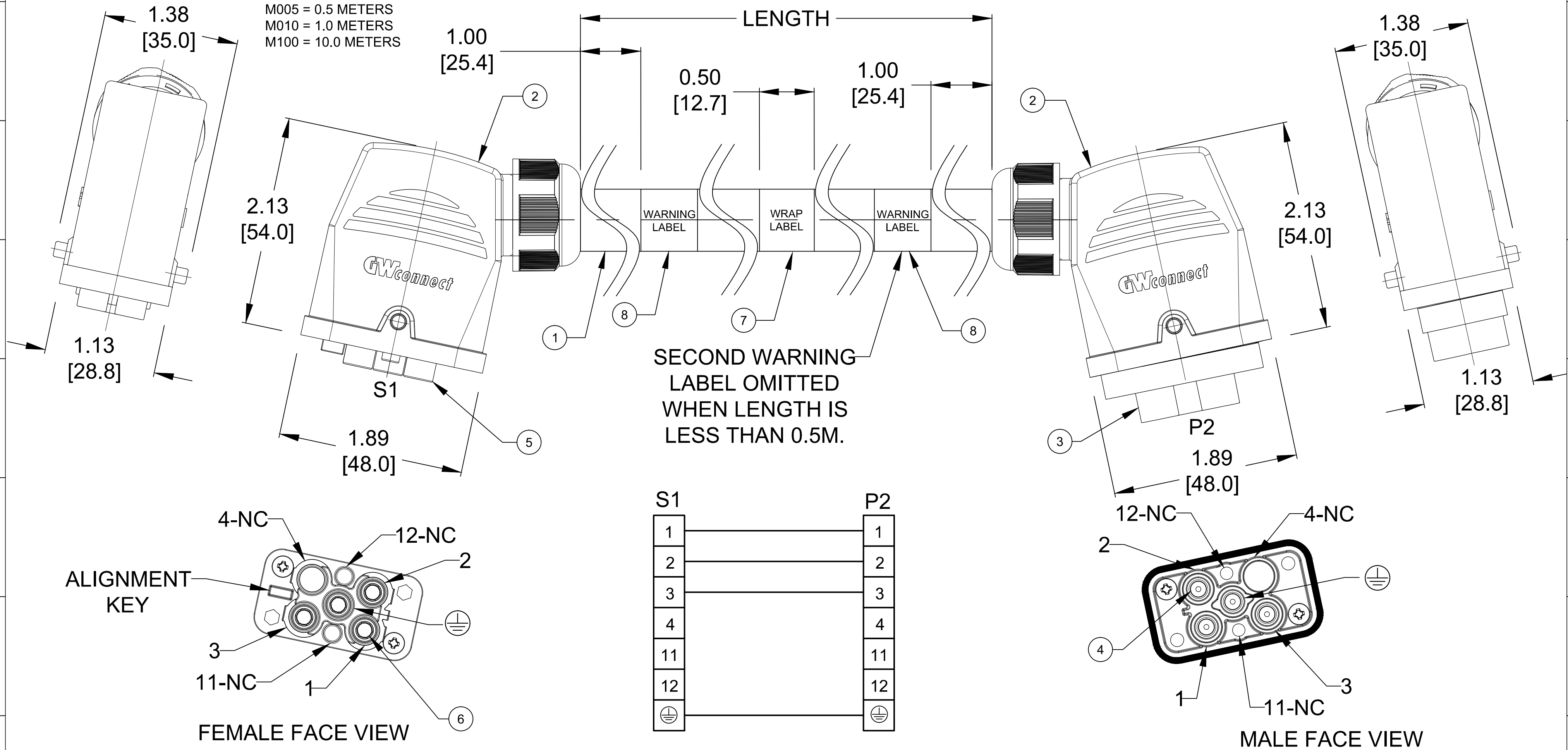


**PART NUMBER KEY**  
93599-0004-M002

LENGTH  
M002 = 8 INCHES  
M005 = 0.5 METERS  
M010 = 1.0 METERS  
M100 = 10.0 METERS



**ELECTRICAL RATING**  
VOLTAGE: 600 VAC  
CURRENT: 32 A

**ALL DIMENSIONS REFERENCE UNLESS OTHERWISE NOTED.**

ITEM	DESCRIPTION	MATERIAL	FINISH
8	WARNING LABEL	VINYL	BLACK/ORANGE
7	WRAP LABEL	VINYL	BLACK/YELLOW
6	CONTACT SOCKET	COPPER ALLOY	SILVER PLATED
5	INSERT, FEMALE	POLYCARBONATE	GREY
4	CONTACT PIN	COPPER ALLOY	SILVER PLATED
3	INSERT, MALE	POLYCARBONATE	GREY
2	HOOD W/ CABLE GLAND	POLYAMIDE	BLACK
1	CABLE #10/4	TPE JACKET	BLACK

REV	DESCRIPTION	DATE	BY	APP'D
C	LENGTH VARIATIONS	10/24/16	KCOX01	BWOODMAN
		10/24/16	KCOX01	BWOODMAN
		2016/10/25	MZELINS	BWOODMAN
		2016/10/05	BWOODMAN	BWOODMAN

GENERAL TOLERANCES (UNLESS SPECIFIED)		DIMENSION STYLE INCH/MM		SCALE NTS	DESIGN UNITS METRIC	THIRD ANGLE PROJECTION
4 PLACES	±---	mm	INCH	DRAWN BY DATE KCOX01 2016/07/20	TITLE HDC MALE-FEMALE S-QD 4/2 M/F 12:00 KEY #10 AWG TPE CABLE	MATERIAL NO. SEE TABLE
3 PLACES	±---					
2 PLACES	±---	ANGULAR ±---°		APPROVED BY DATE BWOODMAN 2016/10/05	MOLEX INCORPORATED	SHEET NO. 1 OF 1
1 PLACE	±---	DRAFT WHERE APPLICABLE MUST REMAIN WITHIN DIMENSIONS		THIS DRAWING CONTAINS INFORMATION THAT IS PROPRIETARY TO MOLEX INCORPORATED AND SHOULD NOT BE USED WITHOUT WRITTEN PERMISSION		