



SMT

KEY LOCATIONS



NOTES:

1. MATERIAL:  
CONNECTOR:  
HOUSING - HIGH TEMPERATURE THERMOPLASTIC GLASS FILLED, UL 94V-0, BLACK  
TERMINALS - COPPER ALLOY  
SHELL  
NICKEL SILVER, C770, THICKNESS: 0.250/0.254
2. FINISH:  
CONNECTOR  
OPTION 1  
CONTACT AREA - 0.38µm MIN GOLD OVER 2.54 µm NICKEL  
SOLDER FOOT AREA - 2.54-5.09µm TIN OVER 1.27 µm NICKEL  
OPTION 2  
CONTACT AREA - 0.76µm MIN GOLD OVER 2.54 µm NICKEL  
SOLDER FOOT AREA - 2.54-5.09µm TIN OVER 1.27 µm NICKEL
3. TERMINAL SOLDER FEET TO BE COPLANAR WITHIN 0.10 MEASURED FROM DATUM E
4. DATE CODE: 4 DIGIT (3 DIGIT DAY, 1 DIGIT YEAR) ON CONNECTOR ONLY
5. CIRCUIT IDENTIFIER: SEE APPROPRIATE INDUSTRY SPECIFICATION FOR LOCATION OF PIN 1
6. TO BE USED WITH THE FOLLOWING CABLE SERIES:  
79575/74563/79576/74573/79536/74562/74569/74586
7. PACKAGED PER PACKAGING SPECIFICATION: PK-75783-001
8. CONFORMS TO PRODUCT SPECIFICATION: PS-75783-001
9. PROCESS PER APPLICATION SPECIFICATION: AS-75783-001
10. THIS PART CONFORMS TO CLASS C REQUIREMENTS OF COSMETIC SPEC PS-45499-002



36 CIRCUIT RETENTION FIT SHELL OPTION SHOWN



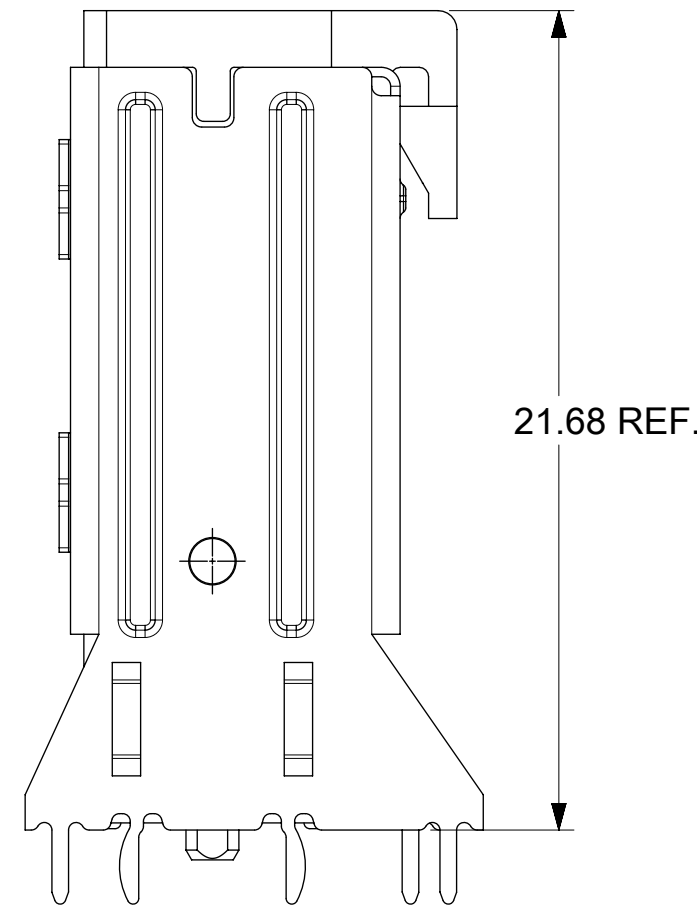
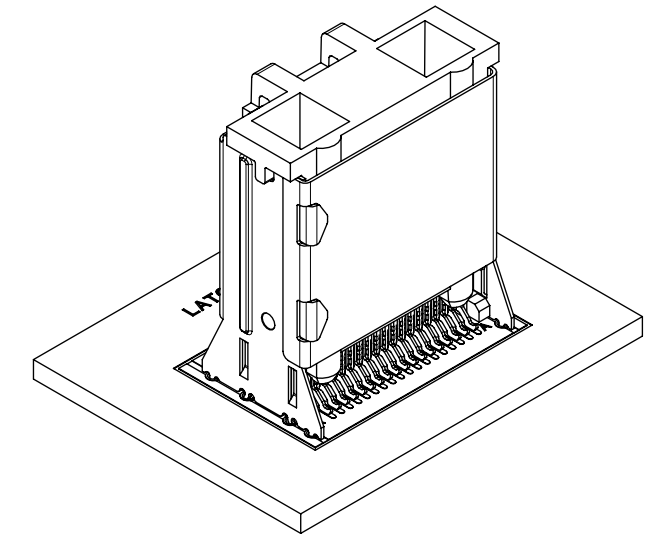
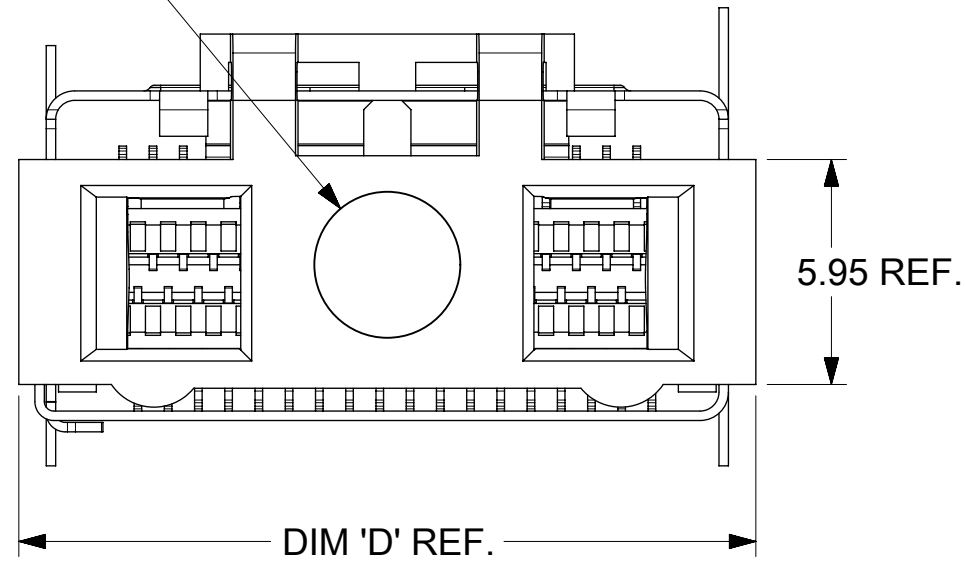
iPass™ IS A TRADEMARK OF MOLEX

| CIRCUIT SIZE | DIM 'A' | DIM 'B' | DIM 'C' |
|--------------|---------|---------|---------|
| 26           | 12.00   | 13.80   | 11.80   |
| 36           | 16.00   | 17.80   | 15.80   |
| 50           | 21.60   | 23.40   | 21.40   |
| 68           | 28.80   | 30.60   | 28.60   |

|   |  |                                     |  |   |  |                        |  |                              |  |   |  |
|---|--|-------------------------------------|--|---|--|------------------------|--|------------------------------|--|---|--|
| THIS DRAWING CONTAINS INFORMATION THAT IS PROPRIETARY TO MOLEX ELECTRONIC TECHNOLOGIES, LLC AND SHOULD NOT BE USED WITHOUT WRITTEN PERMISSION |  |                                     |  |   |  |                        |  |                              |  |   |  |
| DIMENSION UNITS<br><b>mm</b>  |  | SCALE<br><b>5:1</b>                 |  | CURRENT REV DESC: OBSOLETE PART NUMBER<br>AS PER PCN#510579                               |  |                        |  |                              |  |   |  |
| GENERAL TOLERANCES (UNLESS SPECIFIED)   |  | ANGULAR TOL ± 0.5°                  |  | EC NO: 675088<br>DRWN: SUGEEB 2021/08/03<br>CHK'D: GGA 2021/09/08<br>APPR: GGA 2021/09/08 |  |                        |  |                              |  |   |  |
| 4 PLACES ±  |  | 3 PLACES ±                          |  | 2 PLACES ± 0.13   |  | 1 PLACE ± 0.25         |  | 0 PLACES ±                   |  | INITIAL REVISION:<br>DRWN: KLANG 2005/04/15<br>APPR: RNELSON 2005/04/18 |  |
| DRAFT WHERE APPLICABLE MUST REMAIN WITHIN DIMENSIONS  |  | THIRD ANGLE PROJECTION              |  | DRAWING<br><b>C-SIZE</b>  |  | SERIES<br><b>75784</b> |  | MATERIAL NUMBER<br>SEE TABLE |  | CUSTOMER<br>GENERAL MARKET  |  |
| DOCUMENT STATUS<br>P1   |  | RELEASE DATE<br>2021/09/08 12:08:25 |  | DOCUMENT NUMBER<br><b>SD-75784-001</b>  |  | DOC TYPE<br>PSD        |  | DOC PART<br>001              |  | REVISION<br><b>D6</b>   |  |
|   |  |                                     |  | SHEET NUMBER<br>1 OF 13   |  |                        |  |                              |  |   |  |

# ASSEMBLY WITH PRE-POSITIONING DEVICE

PICK & PLACE NOZZLE AREA



36 CIRCUIT RETENTION FIT SHOWN

**NOTES:**

1. PICK AND PLACE LOCATION DEFINED ON APPLICATION SPECIFICATION AS-75783-001
2. PACKAGING CONSISTS OF CONNECTOR AND SHELL WITH A PRE-POSITIONING PICK AND PLACE DEVICE THAT ARE PACKAGED IN "TAPE AND REEL" FOR ROBOTIC PICK AND PLACE.

iPass™ IS A TRADEMARK OF MOLEX

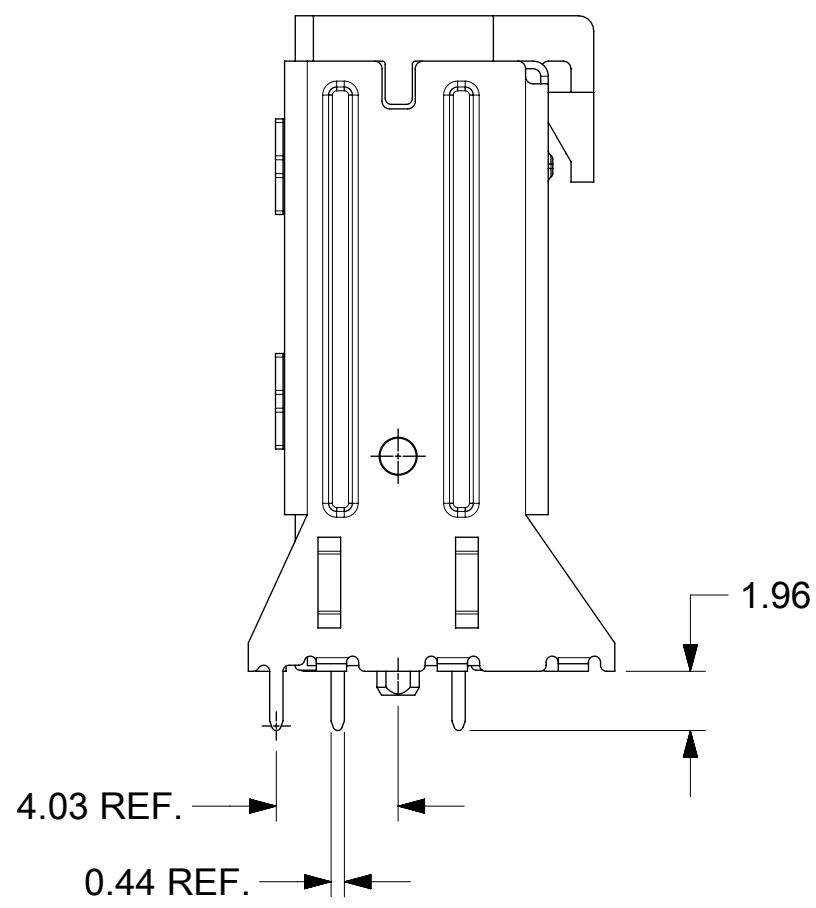
| CIRCUIT SIZE | DIM 'D' |
|--------------|---------|
| 26           | 15.50   |
| 36           | 19.50   |
| 50           | 25.10   |
| 68           | 32.30   |

|   |  |                     |  |   |  |                            |  |                          |  |  |                            |                         |
|---|--|---------------------|--|---|--|----------------------------|--|--------------------------|--|--|----------------------------|-------------------------|
| THIS DRAWING CONTAINS INFORMATION THAT IS PROPRIETARY TO MOLEX ELECTRONIC TECHNOLOGIES, LLC AND SHOULD NOT BE USED WITHOUT WRITTEN PERMISSION |  |                     |  |   |  |                            |  |                          |  |  |                            |                         |
| DIMENSION UNITS<br><b>mm</b>  |  | SCALE<br><b>5:1</b> |  | CURRENT REV DESC: OBSOLETE PART NUMBER<br>AS PER PCN#510579 |  |                            |  |                          |  |  |                            |                         |
| GENERAL TOLERANCES (UNLESS SPECIFIED)   |  |                     |  |   |  | EC NO: 675088              |  |                          |  |  |                            | 2021/08/03              |
| ANGULAR TOL ± 0.5°  |  |                     |  |   |  | DRWN: SUGEEB               |  | 2021/09/08               |  | PRODUCT CUSTOMER DRAWING               |                            |                         |
| 4 PLACES ±  |  |                     |  |   |  | CHK'D: GGA                 |  | 2021/09/08               |  |  |                            |                         |
| 3 PLACES ±  |  |                     |  |   |  | APPR: GGA                  |  | 2021/09/08               |  | DOCUMENT NUMBER<br><b>SD-75784-001</b> |                            |                         |
| 2 PLACES ± 0.13   |  |                     |  |   |  | INITIAL REVISION:          |  | 2005/04/15               |  |  |                            | DOC TYPE<br><b>PSD</b>  |
| 1 PLACE ± 0.25  |  |                     |  |   |  | DRWN: KLANG                |  | 2005/04/18               |  | MATERIAL NUMBER<br>SEE TABLE           | CUSTOMER<br>GENERAL MARKET | SHEET NUMBER<br>2 OF 13 |
| 0 PLACES ±  |  |                     |  |   |  | APPR: RNELSON              |  | DRAWING<br><b>C-SIZE</b> |  | SERIES<br><b>75784</b>                 |                            |                         |
| DRAFT WHERE APPLICABLE<br>MUST REMAIN<br>WITHIN DIMENSIONS  |  |                     |  |   |  | THIRD ANGLE PROJECTION<br> |  |                          |  |  |                            |                         |

# SHELL PCB INTERFACE



**RETENTION-FIT  
SHELL OPTION**



**SMT SHELL OPTION**



**THRU-HOLE SHELL OPTION  
SEE TABLE FOR LENGTH  
(X.XX DENOTES LENGTH)**

**RECOMMENDED PCB THICKNESS  
FOR SPECIFIED TAIL LENGTH**

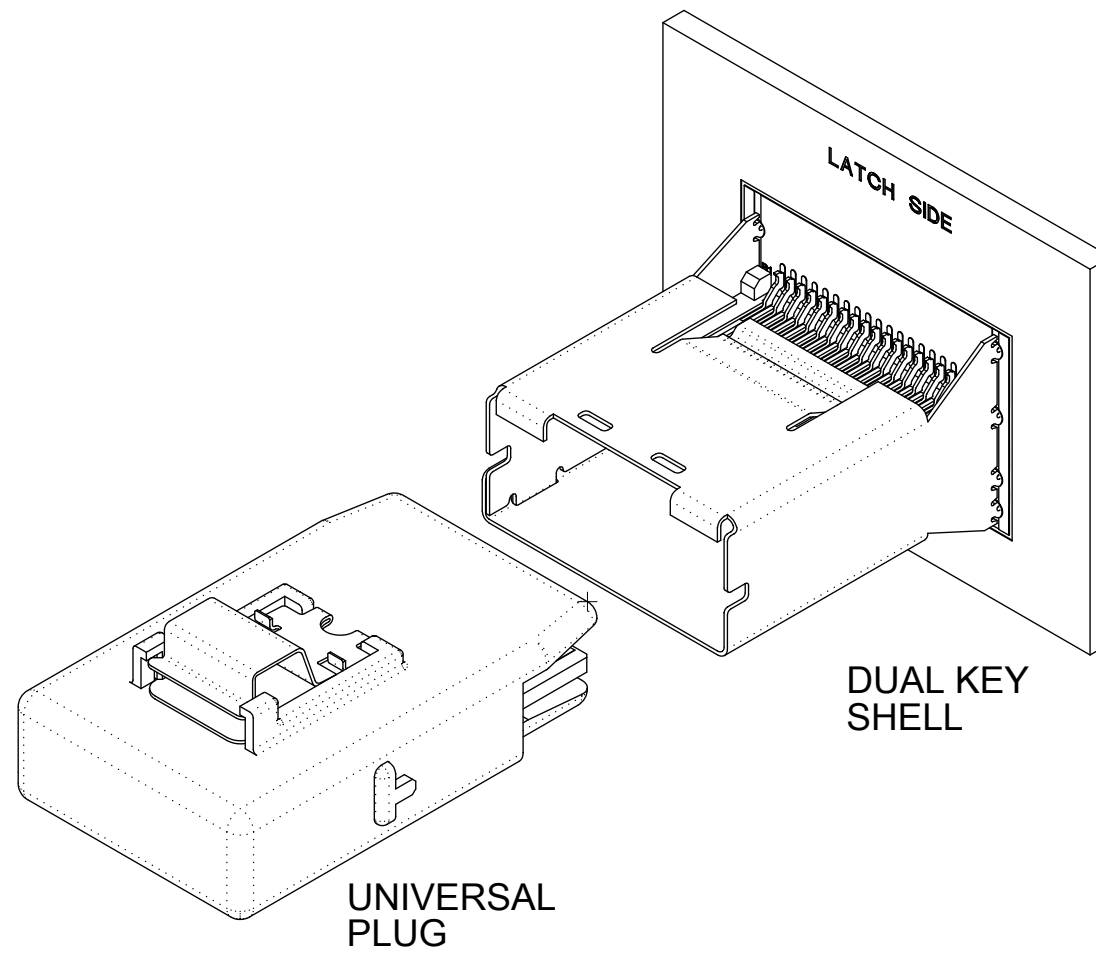
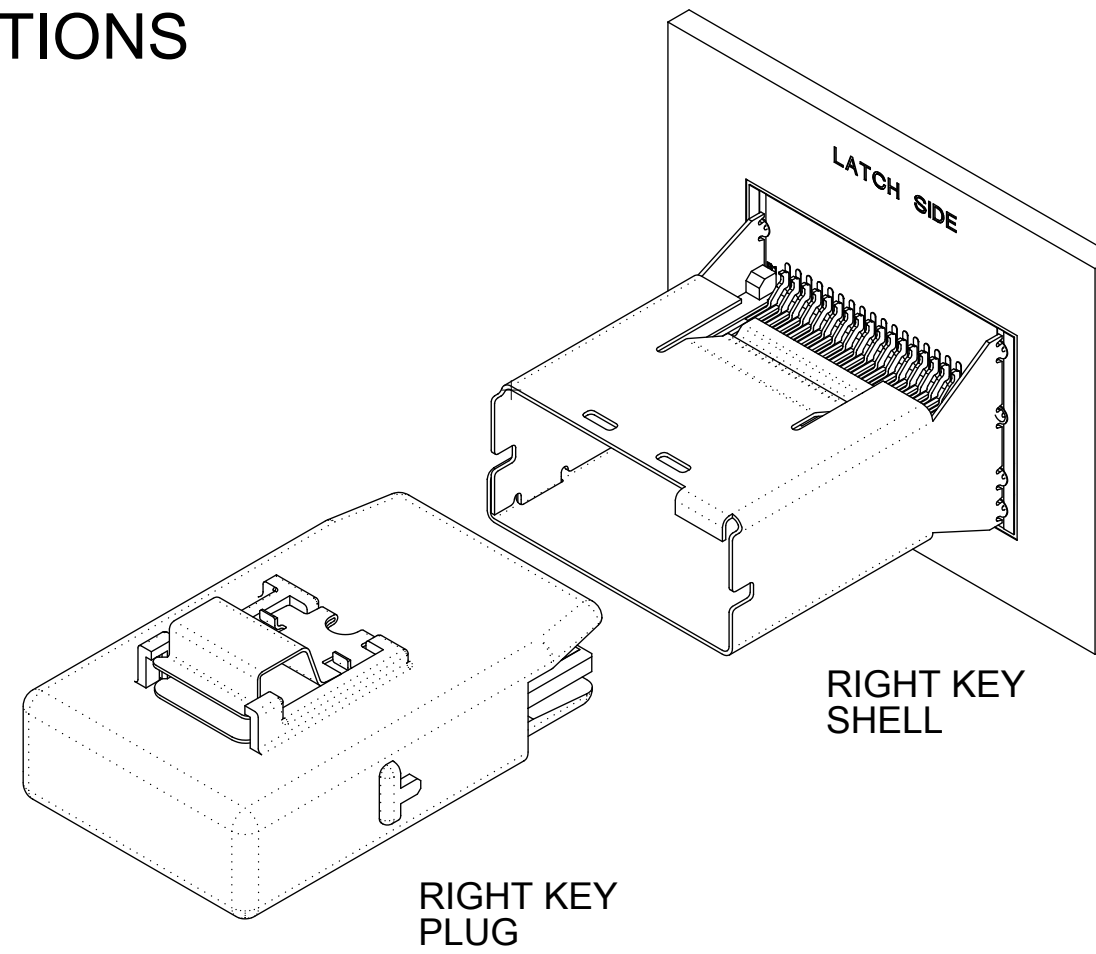
| TAIL LENGTH | PCB THICKNESS |
|-------------|---------------|
| 1.96        | 1.57 (.062)   |
| 2.79        | 2.36 (.093)   |
| 3.18        | 2.79 (.110)   |
| 3.56        | 3.18 (.125)   |

**NOTE:**  
RETENTION FIT DENOTES TAILS THAT OFFER RETENTION TO PCB DURING REFLOW PROCESS  
SMT DENOTES SURFACE MOUNT TERMINATION  
T/H X.XX DENOTES THRU-HOLE TAIL OF LENGTH X.XX

iPass™ IS A TRADEMARK OF MOLEX


|   |  |                                     |  |   |  |                        |  |                              |  |   |  |
|---|--|-------------------------------------|--|---|--|------------------------|--|------------------------------|--|---|--|
| THIS DRAWING CONTAINS INFORMATION THAT IS PROPRIETARY TO MOLEX ELECTRONIC TECHNOLOGIES, LLC AND SHOULD NOT BE USED WITHOUT WRITTEN PERMISSION |  |                                     |  |   |  |                        |  |                              |  |   |  |
| DIMENSION UNITS<br><b>mm</b>  |  | SCALE<br><b>4:1</b>                 |  | CURRENT REV DESC: OBSOLETE PART NUMBER<br>AS PER PCN#510579                               |  |                        |  |                              |  | <b>molex</b>  |  |
| GENERAL TOLERANCES<br>(UNLESS SPECIFIED)  |  | ANGULAR TOL ± 0.5°                  |  | EC NO: 675088<br>DRWN: SUGEEB 2021/08/03<br>CHK'D: GGA 2021/09/08<br>APPR: GGA 2021/09/08 |  |                        |  |                              |  |   |  |
| 4 PLACES ±  |  | 3 PLACES ±                          |  | 2 PLACES ± 0.13   |  | 1 PLACE ± 0.25         |  | 0 PLACES ±                   |  | INITIAL REVISION:<br>DRWN: KLANG 2005/04/15<br>APPR: RNELSON 2005/04/18 |  |
| DRAFT WHERE APPLICABLE<br>MUST REMAIN<br>WITHIN DIMENSIONS  |  | THIRD ANGLE PROJECTION              |  | DRAWING<br><b>C-SIZE</b>  |  | SERIES<br><b>75784</b> |  | MATERIAL NUMBER<br>SEE TABLE |  | CUSTOMER<br>GENERAL MARKET  |  |
| DOCUMENT STATUS<br>P1   |  | RELEASE DATE<br>2021/09/08 12:08:25 |  | DOCUMENT NUMBER<br><b>SD-75784-001</b>  |  | DOC TYPE<br>PSD        |  | DOC PART<br>001              |  | REVISION<br><b>D6</b>   |  |
| SHEET NUMBER<br>3 OF 13   |  |                                     |  |   |  |                        |  |                              |  |   |  |

# KEYING OPTIONS



|                | UNIVERSAL SHELL | LEFT KEY SHELL | RIGHT KEY SHELL | DUAL KEY SHELL |
|----------------|-----------------|----------------|-----------------|----------------|
| NO KEY PLUG    | YES             | NO             | NO              | NO             |
| LEFT KEY PLUG  | YES             | YES            | NO              | NO             |
| RIGHT KEY PLUG | YES             | NO             | YES             | NO             |
| UNIVERSAL PLUG | YES             | YES            | YES             | YES            |

iPass™ IS A TRADEMARK OF MOLEX

|   |  |  |  |   |  |                            |  |   |  |  |  |
|---|--|--|--|---|--|----------------------------|--|---|--|--|--|
| THIS DRAWING CONTAINS INFORMATION THAT IS PROPRIETARY TO MOLEX ELECTRONIC TECHNOLOGIES, LLC AND SHOULD NOT BE USED WITHOUT WRITTEN PERMISSION |  |  |  |   |  |                            |  |   |  |  |  |
| DIMENSION UNITS<br><b>mm</b>  |  | SCALE<br><b>2:1</b>  |  | CURRENT REV DESC: OBSOLETE PART NUMBER<br>AS PER PCN#510579                               |  |                            |  |  |  | I-PASS VERT CONNECTOR<br>INTERNAL ASSY W/SHELL 0.8MM PITCH I/O |  |
| GENERAL TOLERANCES<br>(UNLESS SPECIFIED)  |  | ANGULAR TOL ± 0.5°   |  | EC NO: 675088<br>DRWN: SUGEEB 2021/08/03<br>CHK'D: GGA 2021/09/08<br>APPR: GGA 2021/09/08 |  |                            |  |   |  |  |  |
| 4 PLACES ±  |  | 3 PLACES ±   |  | INITIAL REVISION:   |  |                            |  | PRODUCT CUSTOMER DRAWING  |  | DOCUMENT NUMBER  |  |
| 2 PLACES ± 0.13   |  | 1 PLACE ± 0.25   |  | DRWN: KLANG 2005/04/15<br>APPR: RNELSON 2005/04/18  |  |                            |  | SD-75784-001  |  | PSD 001 D6   |  |
| 0 PLACES ±  |  | DRAFT WHERE APPLICABLE<br>MUST REMAIN<br>WITHIN DIMENSIONS |  | THIRD ANGLE PROJECTION  |  | DRAWING<br><b>C-SIZE</b>   |  | SERIES<br><b>75784</b>  |  | MATERIAL NUMBER<br>SEE TABLE                                   |  |
|   |  |  |  |   |  | CUSTOMER<br>GENERAL MARKET |  | SHEET NUMBER<br>4 OF 13   |  |  |  |

# 26 CIRCUIT ITEM NUMBERS

| CIRCUIT SIZE | ITEM NUMBER | PLATING OPTION | SHELL PCB OPTION | SHELL KEY OPTION |
|--------------|-------------|----------------|------------------|------------------|
| 26           | 75784-0007  | OPTION 1       | RETENTION        | LEFT             |
| 26           | 75784-0012  | OPTION 1       | SMT              | DUAL             |
| 26           | 75784-0025  | OPTION 1       | RETENTION        | UNIVERSAL        |
| 26           | 75784-0026  | OPTION 1       | SMT              | UNIVERSAL        |
| 26           | 75784-0028  | OPTION 2       | SMT              | UNIVERSAL        |
| 26           | 75784-0032  | OPTION 1       | T/H 1.96         | UNIVERSAL        |

| CIRCUIT SIZE | ITEM NUMBER | PLATING OPTION | SHELL PCB OPTION | SHELL KEY OPTION |
|--------------|-------------|----------------|------------------|------------------|
| 26           | 75784-0037  | OPTION 1       | T/H 2.79         | LEFT             |
| 26           | 75784-0038  | OPTION 1       | T/H 2.79         | RIGHT            |
| 26           | 75784-0039  | OPTION 1       | T/H 2.79         | DUAL             |
| 26           | 75784-0040  | OPTION 1       | T/H 2.79         | UNIVERSAL        |
| 26           | 75784-0041  | OPTION 2       | T/H 2.79         | LEFT             |
| 26           | 75784-0042  | OPTION 2       | T/H 2.79         | RIGHT            |
| 26           | 75784-0043  | OPTION 2       | T/H 2.79         | DUAL             |
| 26           | 75784-0045  | OPTION 1       | T/H 3.18         | LEFT             |
| 26           | 75784-0046  | OPTION 1       | T/H 3.18         | RIGHT            |
| 26           | 75784-0047  | OPTION 1       | T/H 3.18         | DUAL             |
| 26           | 75784-0048  | OPTION 1       | T/H 3.18         | UNIVERSAL        |
| 26           | 75784-0049  | OPTION 2       | T/H 3.18         | LEFT             |
| 26           | 75784-0050  | OPTION 2       | T/H 3.18         | RIGHT            |
| 26           | 75784-0051  | OPTION 2       | T/H 3.18         | DUAL             |
| 26           | 75784-0052  | OPTION 2       | T/H 3.18         | UNIVERSAL        |

iPass™ IS A TRADEMARK OF MOLEX

|   |       |  |         |          |                 |  |              |          |          |          |
|---|-------|--|---------|----------|-----------------|--|--------------|----------|----------|----------|
| THIS DRAWING CONTAINS INFORMATION THAT IS PROPRIETARY TO MOLEX ELECTRONIC TECHNOLOGIES, LLC AND SHOULD NOT BE USED WITHOUT WRITTEN PERMISSION |       |  |         |          |                 |  |              |          |          |          |
| DIMENSION UNITS   | SCALE | CURRENT REV DESC: OBSOLETE PART NUMBER AS PER PCN#510579   |         |          |                 | molex  |              |          |          |          |
| mm  | 1:1   | EC NO: 675088<br>DRWN: SUGEEB 2021/08/03<br>CHK'D: GGA 2021/09/08<br>APPR: GGA 2021/09/08<br>INITIAL REVISION:<br>DRWN: KLANG 2005/04/15<br>APPR: RNELSON 2005/04/18 |         |          |                 | I-PASS VERT CONNECTOR<br>INTERNAL ASSY W/SHELL 0.8MM PITCH I/O |              |          |          |          |
| GENERAL TOLERANCES (UNLESS SPECIFIED)   |       |  |         |          |                 | PRODUCT CUSTOMER DRAWING                                       |              |          |          |          |
| ANGULAR TOL ± 0.5°  |       |  |         |          |                 | DOCUMENT NUMBER  |              |          |          |          |
| 4 PLACES ±  |       |  |         |          |                 | SD-75784-001   |              | DOC TYPE | DOC PART | REVISION |
| 3 PLACES ±  |       |  |         |          |                 | PSD  | 001          | D6       |          |          |
| 2 PLACES ± 0.13   |       | MATERIAL NUMBER  |         |          |                 |  |              |          |          |          |
| 1 PLACE ± 0.25  |       | SEE TABLE  |         | CUSTOMER |                 | SHEET NUMBER   |              |          |          |          |
| 0 PLACES ±  |       | GENERAL MARKET   |         | 5 OF 13  |                 |  |              |          |          |          |
| DRAFT WHERE APPLICABLE MUST REMAIN WITHIN DIMENSIONS  |       | THIRD ANGLE PROJECTION   | DRAWING | SERIES   | MATERIAL NUMBER | CUSTOMER   | SHEET NUMBER |          |          |          |
|   |       |  | C-SIZE  | 75784    | SEE TABLE       | GENERAL MARKET   | 5 OF 13      |          |          |          |

# 36 CIRCUIT ITEM NUMBERS

| CIRCUIT SIZE | ITEM NUMBER | PLATING OPTION | SHELL PCB OPTION | SHELL KEY OPTION |
|--------------|-------------|----------------|------------------|------------------|
| 36           | 75784-0109  | OPTION 1       | RETENTION        | DUAL             |
| 36           | 75784-0110  | OPTION 1       | SMT              | LEFT             |
| 36           | 75784-0111  | OPTION 1       | SMT              | RIGHT            |
| 36           | 75784-0112  | OPTION 1       | SMT              | DUAL             |
| 36           | 75784-0119  | OPTION 2       | RETENTION        | LEFT             |
| 36           | 75784-0120  | OPTION 2       | RETENTION        | RIGHT            |
| 36           | 75784-0121  | OPTION 2       | RETENTION        | DUAL             |
| 36           | 75784-0125  | OPTION 1       | RETENTION        | UNIVERSAL        |
| 36           | 75784-0126  | OPTION 1       | SMT              | UNIVERSAL        |
| 36           | 75784-0127  | OPTION 2       | RETENTION        | UNIVERSAL        |
| 36           | 75784-0131  | OPTION 1       | T/H 1.96         | DUAL             |
| 36           | 75784-0132  | OPTION 1       | T/H 1.96         | UNIVERSAL        |
| 36           | 75784-0136  | OPTION 2       | T/H 1.96         | UNIVERSAL        |

| CIRCUIT SIZE | ITEM NUMBER | PLATING OPTION | SHELL PCB OPTION | SHELL KEY OPTION |
|--------------|-------------|----------------|------------------|------------------|
| 36           | 75784-0137  | OPTION 1       | T/H 2.79         | LEFT             |
| 36           | 75784-0138  | OPTION 1       | T/H 2.79         | RIGHT            |
| 36           | 75784-0139  | OPTION 1       | T/H 2.79         | DUAL             |
| 36           | 75784-0140  | OPTION 1       | T/H 2.79         | UNIVERSAL        |
| 36           | 75784-0141  | OPTION 2       | T/H 2.79         | LEFT             |
| 36           | 75784-0142  | OPTION 2       | T/H 2.79         | RIGHT            |
| 36           | 75784-0143  | OPTION 2       | T/H 2.79         | DUAL             |
| 36           | 75784-0144  | OPTION 2       | T/H 2.79         | UNIVERSAL        |
| 36           | 75784-0147  | OPTION 1       | T/H 3.18         | DUAL             |
| 36           | 75784-0148  | OPTION 1       | T/H 3.18         | UNIVERSAL        |
| 36           | 75784-0150  | OPTION 2       | T/H 3.18         | RIGHT            |
| 36           | 75784-0151  | OPTION 2       | T/H 3.18         | DUAL             |
| 36           | 75784-0152  | OPTION 2       | T/H 3.18         | UNIVERSAL        |
| 36           | 75784-0156  | OPTION 1       | T/H 3.56         | UNIVERSAL        |
| 36           | 75784-0159  | OPTION 2       | T/H 3.56         | DUAL             |
| 36           | 75784-0160  | OPTION 2       | T/H 3.56         | UNIVERSAL        |

iPass™ IS A TRADEMARK OF MOLEX

|   |        |  |  |                |       |  |     |          |          |          |
|---|--------|--|--|----------------|-------|--|-----|----------|----------|----------|
| THIS DRAWING CONTAINS INFORMATION THAT IS PROPRIETARY TO MOLEX ELECTRONIC TECHNOLOGIES, LLC AND SHOULD NOT BE USED WITHOUT WRITTEN PERMISSION |        |  |  |                |       |  |     |          |          |          |
| DIMENSION UNITS   | SCALE  | CURRENT REV DESC: OBSOLETE PART NUMBER AS PER PCN#510579   |  |                |       | molex  |     |          |          |          |
| mm  | 1:1    | EC NO: 675088<br>DRWN: SUGEEB 2021/08/03<br>CHK'D: GGA 2021/09/08<br>APPR: GGA 2021/09/08<br>INITIAL REVISION:<br>DRWN: KLANG 2005/04/15<br>APPR: RNELSON 2005/04/18 |  |                |       | I-PASS VERT CONNECTOR<br>INTERNAL ASSY W/SHELL 0.8MM PITCH I/O |     |          |          |          |
| GENERAL TOLERANCES (UNLESS SPECIFIED)   |        |  |  |                |       | PRODUCT CUSTOMER DRAWING                                       |     |          |          |          |
| ANGULAR TOL ± 0.5°  |        |  |  |                |       | DOCUMENT NUMBER  |     |          |          |          |
| 4 PLACES ±  | ±      |  |  |                |       | SD-75784-001   |     | DOC TYPE | DOC PART | REVISION |
| 3 PLACES ±  | ±      |  |  |                |       | PSD  | 001 | D6       |          |          |
| 2 PLACES ±  | ± 0.13 | MATERIAL NUMBER  |  | CUSTOMER       |       | SHEET NUMBER   |     |          |          |          |
| 1 PLACE ±   | ± 0.25 | SEE TABLE  |  | GENERAL MARKET |       | 6 OF 13  |     |          |          |          |
| 0 PLACES ±  | ±      | DRAWING  |  | SERIES         |       |  |     |          |          |          |
| DRAFT WHERE APPLICABLE MUST REMAIN WITHIN DIMENSIONS  |        | THIRD ANGLE PROJECTION   |  | C-SIZE         | 75784 |  |     |          |          |          |

|                 |    |              |            |          |
|-----------------|----|--------------|------------|----------|
| DOCUMENT STATUS | P1 | RELEASE DATE | 2021/09/08 | 12:08:25 |
|-----------------|----|--------------|------------|----------|

# 50 CIRCUIT ITEM NUMBERS

| CIRCUIT SIZE | ITEM NUMBER | PLATING OPTION | SHELL PCB OPTION | SHELL KEY OPTION |
|--------------|-------------|----------------|------------------|------------------|
| 50           | 75784-0232  | OPTION 1       | T/H 1.96         | UNIVERSAL        |

| CIRCUIT SIZE | ITEM NUMBER | PLATING OPTION | SHELL PCB OPTION | SHELL KEY OPTION |
|--------------|-------------|----------------|------------------|------------------|
| 50           | 75784-0240  | OPTION 1       | T/H 2.79         | UNIVERSAL        |
| 50           | 75784-0244  | OPTION 2       | T/H 2.79         | UNIVERSAL        |
| 50           | 75784-0252  | OPTION 2       | T/H 3.18         | UNIVERSAL        |

iPass™ IS A TRADEMARK OF MOLEX

|   |       |  |         |                |                 |  |          |          |     |              |          |          |
|---|-------|--|---------|----------------|-----------------|--|----------|----------|-----|--------------|----------|----------|
| THIS DRAWING CONTAINS INFORMATION THAT IS PROPRIETARY TO MOLEX ELECTRONIC TECHNOLOGIES, LLC AND SHOULD NOT BE USED WITHOUT WRITTEN PERMISSION |       |  |         |                |                 |  |          |          |     |              |          |          |
| DIMENSION UNITS   | SCALE | CURRENT REV DESC: OBSOLETE PART NUMBER AS PER PCN#510579   |         |                |                 | molex  |          |          |     |              |          |          |
| mm  | 1:1   | EC NO: 675088<br>DRWN: SUGEEB 2021/08/03<br>CHK'D: GGA 2021/09/08<br>APPR: GGA 2021/09/08<br>INITIAL REVISION:<br>DRWN: KLANG 2005/04/15<br>APPR: RNELSON 2005/04/18 |         |                |                 | I-PASS VERT CONNECTOR<br>INTERNAL ASSY W/SHELL 0.8MM PITCH I/O |          |          |     |              |          |          |
| GENERAL TOLERANCES (UNLESS SPECIFIED)   |       |  |         |                |                 | PRODUCT CUSTOMER DRAWING                                       |          |          |     |              |          |          |
| ANGULAR TOL ± 0.5°  |       |  |         |                |                 | DOCUMENT NUMBER  |          |          |     | DOC TYPE     | DOC PART | REVISION |
| 4 PLACES ±  |       |  |         |                |                 | SD-75784-001   |          | PSD      | 001 | D6           |          |          |
| 3 PLACES ±  |       |  |         |                |                 | MATERIAL NUMBER  |          | CUSTOMER |     | SHEET NUMBER |          |          |
| 2 PLACES ± 0.13   |       | SEE TABLE  |         | GENERAL MARKET |                 | 7 OF 13  |          |          |     |              |          |          |
| 1 PLACE ± 0.25  |       | DRAWING  |         | SERIES         |                 | SHEET NUMBER   |          |          |     |              |          |          |
| 0 PLACES ±  |       | THIRD ANGLE PROJECTION   | DRAWING | SERIES         | MATERIAL NUMBER |  | CUSTOMER |          |     |              |          |          |
| DRAFT WHERE APPLICABLE MUST REMAIN WITHIN DIMENSIONS  |       | C-SIZE   | 75784   | SEE TABLE      |                 | GENERAL MARKET   |          | 7 OF 13  |     |              |          |          |

|                 |    |              |            |          |
|-----------------|----|--------------|------------|----------|
| DOCUMENT STATUS | P1 | RELEASE DATE | 2021/09/08 | 12:08:25 |
|-----------------|----|--------------|------------|----------|

# 68 CIRCUIT ITEM NUMBERS

| CIRCUIT SIZE | ITEM NUMBER | PLATING OPTION | SHELL PCB OPTION | SHELL KEY OPTION |
|--------------|-------------|----------------|------------------|------------------|
| 68           | 75784-0332  | OPTION 1       | T/H 1.96         | UNIVERSAL        |
| 68           | 75784-0336  | OPTION 2       | T/H 1.96         | UNIVERSAL        |

| CIRCUIT SIZE | ITEM NUMBER | PLATING OPTION | SHELL PCB OPTION | SHELL KEY OPTION |
|--------------|-------------|----------------|------------------|------------------|
| 68           | 75784-0338  | OPTION 1       | T/H 2.79         | RIGHT            |
| 68           | 75784-0340  | OPTION 1       | T/H 2.79         | UNIVERSAL        |
| 68           | 75784-0344  | OPTION 2       | T/H 2.79         | UNIVERSAL        |
| 68           | 75784-0348  | OPTION 1       | T/H 3.18         | UNIVERSAL        |
| 68           | 75784-0352  | OPTION 2       | T/H 3.18         | UNIVERSAL        |

iPass™ IS A TRADEMARK OF MOLEX

|   |       |  |  |                |  |  |  |          |     |              |          |          |
|---|-------|--|--|----------------|--|--|--|----------|-----|--------------|----------|----------|
| THIS DRAWING CONTAINS INFORMATION THAT IS PROPRIETARY TO MOLEX ELECTRONIC TECHNOLOGIES, LLC AND SHOULD NOT BE USED WITHOUT WRITTEN PERMISSION |       |  |  |                |  |  |  |          |     |              |          |          |
| DIMENSION UNITS   | SCALE | CURRENT REV DESC: OBSOLETE PART NUMBER AS PER PCN#510579   |  |                |  | molex  |  |          |     |              |          |          |
| mm  | 1:1   | EC NO: 675088<br>DRWN: SUGEEB 2021/08/03<br>CHK'D: GGA 2021/09/08<br>APPR: GGA 2021/09/08<br>INITIAL REVISION:<br>DRWN: KLANG 2005/04/15<br>APPR: RNELSON 2005/04/18 |  |                |  | I-PASS VERT CONNECTOR<br>INTERNAL ASSY W/SHELL 0.8MM PITCH I/O |  |          |     |              |          |          |
| GENERAL TOLERANCES (UNLESS SPECIFIED)   |       |  |  |                |  | PRODUCT CUSTOMER DRAWING                                       |  |          |     |              |          |          |
| ANGULAR TOL ± 0.5°  |       |  |  |                |  | DOCUMENT NUMBER  |  |          |     | DOC TYPE     | DOC PART | REVISION |
| 4 PLACES ±  |       |  |  |                |  | SD-75784-001   |  | PSD      | 001 | D6           |          |          |
| 3 PLACES ±  |       |  |  |                |  | MATERIAL NUMBER  |  | CUSTOMER |     | SHEET NUMBER |          |          |
| 2 PLACES ± 0.13   |       | SEE TABLE  |  | GENERAL MARKET |  | 8 OF 13  |  |          |     |              |          |          |
| 1 PLACE ± 0.25  |       | DRAWING  |  | SERIES         |  | SHEET NUMBER   |  |          |     |              |          |          |
| 0 PLACES ±  |       | C-SIZE   |  | 75784          |  | SHEET NUMBER   |  |          |     |              |          |          |
| DRAFT WHERE APPLICABLE MUST REMAIN WITHIN DIMENSIONS  |       | THIRD ANGLE PROJECTION   |  | DRAWING        |  | SERIES   |  |          |     |              |          |          |
|   |       |  |  | C-SIZE         |  | 75784  |  |          |     |              |          |          |

|                 |    |              |            |          |
|-----------------|----|--------------|------------|----------|
| DOCUMENT STATUS | P1 | RELEASE DATE | 2021/09/08 | 12:08:25 |
|-----------------|----|--------------|------------|----------|



# VERTICAL CONNECTOR WITH RETENTION FIT & THRU-HOLE SHELL PCB FOOT PRINT

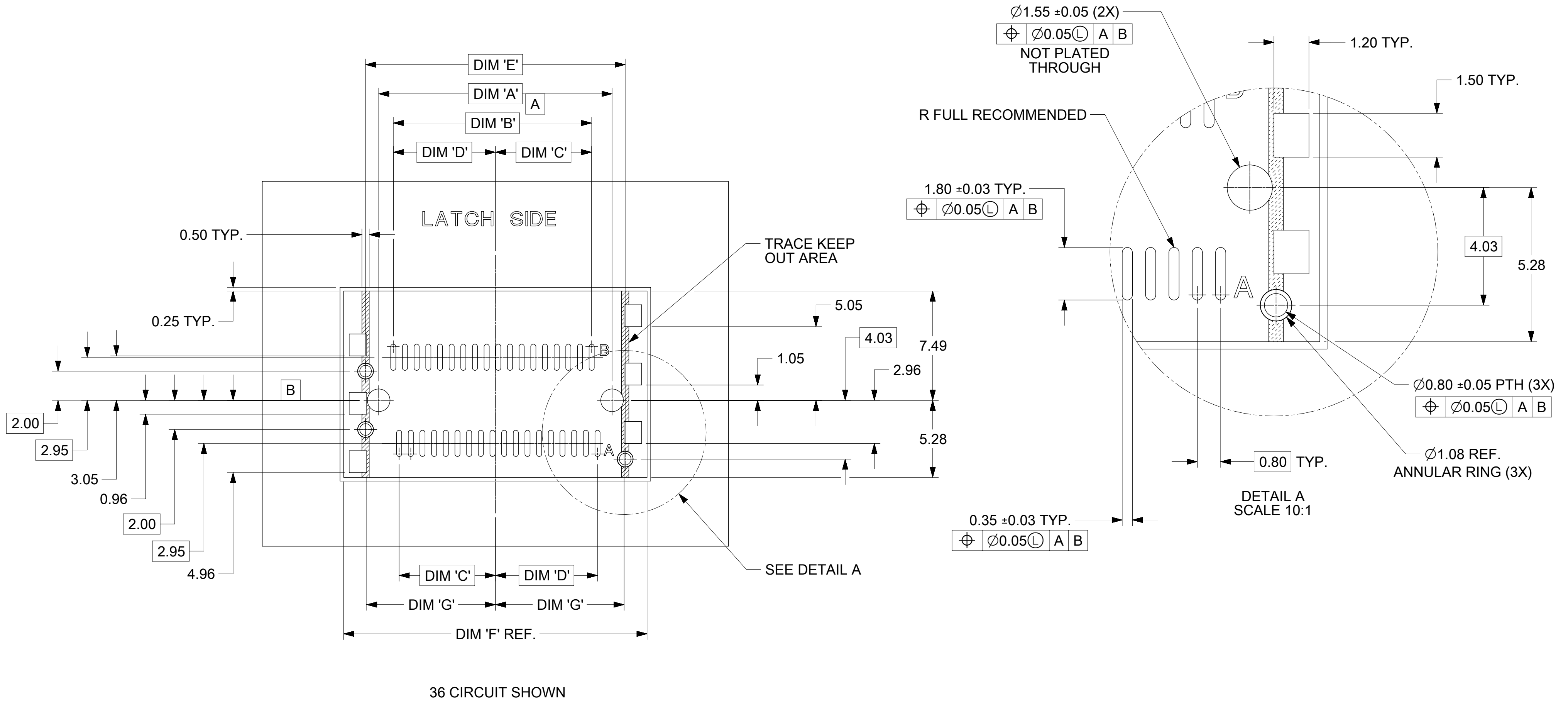


|              | PEG TO PEG | FIRST TO LAST PAD | CENTERLINE TO PAD | CENTERLINE TO PAD | SHELL PEG TO PEG | SHELL FOOTPRINT WIDTH |
|--------------|------------|-------------------|-------------------|-------------------|------------------|-----------------------|
| CIRCUIT SIZE | DIM 'A'    | DIM 'B'           | DIM 'C'           | DIM 'D'           | DIM 'E'          | DIM 'F'               |
| 26           | 12.00      | 9.60              | 4.60              | 5.00              | 13.80            | 15.80                 |
| 36           | 16.00      | 13.60             | 6.60              | 7.00              | 17.80            | 19.80                 |
| 50           | 21.60      | 19.20             | 9.40              | 9.80              | 23.40            | 25.40                 |
| 68           | 28.80      | 26.40             | 13.00             | 13.40             | 30.60            | 32.60                 |

iPass™ IS A TRADEMARK OF MOLEX

|   |  |                        |  |   |  |                        |  |                              |  |  |  |
|---|--|------------------------|--|---|--|------------------------|--|------------------------------|--|--|--|
| THIS DRAWING CONTAINS INFORMATION THAT IS PROPRIETARY TO MOLEX ELECTRONIC TECHNOLOGIES, LLC AND SHOULD NOT BE USED WITHOUT WRITTEN PERMISSION |  |                        |  |   |  |                        |  |                              |  |  |  |
| DIMENSION UNITS<br><b>mm</b>  |  | SCALE<br><b>5:1</b>    |  | CURRENT REV DESC: OBSOLETE PART NUMBER<br>AS PER PCN#510579 |  |                        |  |                              |  | <b>molex</b>   |  |
| GENERAL TOLERANCES (UNLESS SPECIFIED)   |  |                        |  |   |  |                        |  |                              |  |  |  |
| ANGULAR TOL ± 0.5°  |  |                        |  | EC NO: 675088   |  |                        |  |                              |  | I-PASS VERT CONNECTOR<br>INTERNAL ASSY W/SHELL 0.8MM PITCH I/O |  |
| 4 PLACES ±  |  |                        |  | DRWN: SUGEEB 2021/08/03                                     |  |                        |  |                              |  |  |  |
| 3 PLACES ±  |  |                        |  | CHK'D: GGA 2021/09/08                                       |  |                        |  |                              |  | PRODUCT CUSTOMER DRAWING                                       |  |
| 2 PLACES ± 0.13   |  |                        |  | APPR: GGA 2021/09/08  |  |                        |  |                              |  |  |  |
| 1 PLACE ± 0.25  |  |                        |  | INITIAL REVISION:   |  |                        |  |                              |  | DOCUMENT NUMBER<br><b>SD-75784-001</b>                         |  |
| 0 PLACES ±  |  |                        |  | DRWN: KLANG 2005/04/15                                      |  |                        |  |                              |  |  |  |
| DRAFT WHERE APPLICABLE<br>MUST REMAIN WITHIN DIMENSIONS   |  | THIRD ANGLE PROJECTION |  | DRAWING<br><b>C-SIZE</b>                                    |  | SERIES<br><b>75784</b> |  | MATERIAL NUMBER<br>SEE TABLE |  | CUSTOMER<br>GENERAL MARKET                                     |  |
|   |  |                        |  |   |  |                        |  | DOC TYPE<br>PSD              |  | DOC PART<br>001  |  |
|   |  |                        |  |   |  |                        |  |                              |  | REVISION<br><b>D6</b>  |  |
|   |  |                        |  |   |  |                        |  | SHEET NUMBER<br>9 OF 13      |  |  |  |

# VERTICAL CONNECTOR WITH SMT SHELL PCB FOOT PRINT



36 CIRCUIT SHOWN

|              | PEG TO PEG | FIRST TO LAST PAD | CENTERLINE TO PAD | CENTERLINE TO PAD | SHELL PEG TO PEG | SHELL FOOTPRINT WIDTH | CENTERLINE TO PAD EDGE |
|--------------|------------|-------------------|-------------------|-------------------|------------------|-----------------------|------------------------|
| CIRCUIT SIZE | DIM 'A'    | DIM 'B'           | DIM 'C'           | DIM 'D'           | DIM 'E'          | DIM 'F'               | DIM 'G'                |
| 26           | 12.00      | 9.60              | 4.60              | 5.00              | 13.80            | 16.80                 | 6.825                  |
| 36           | 16.00      | 13.60             | 6.60              | 7.00              | 17.80            | 20.80                 | 8.825                  |
| 50           | 21.60      | 19.20             | 9.40              | 9.80              | 23.40            | 26.40                 | 11.625                 |
| 68           | 28.80      | 26.40             | 13.00             | 13.40             | 30.60            | 33.60                 | 15.225                 |

iPass™ IS A TRADEMARK OF MOLEX

|   |                     |  |  |  |  |
|---|---------------------|--|--|--|--|
| THIS DRAWING CONTAINS INFORMATION THAT IS PROPRIETARY TO MOLEX ELECTRONIC TECHNOLOGIES, LLC AND SHOULD NOT BE USED WITHOUT WRITTEN PERMISSION |                     | CURRENT REV DESC: OBSOLETE PART NUMBER AS PER PCN#510579 |  | molex  |  |
| DIMENSION UNITS<br><b>mm</b>  | SCALE<br><b>5:1</b> | EC NO: 675088<br>DRWN: SUGEEB<br>CHK'D: GGA<br>APPR: GGA |  | 2021/08/03<br>2021/09/08<br>2021/09/08                                     |  |
| GENERAL TOLERANCES (UNLESS SPECIFIED)   |                     | INITIAL REVISION:<br>DRWN: KLANG<br>APPR: RNELSON        |  | 2005/04/15<br>2005/04/18   |  |
| ANGULAR TOL ± 0.5°  |                     | DRAFT WHERE APPLICABLE MUST REMAIN WITHIN DIMENSIONS     |  | THIRD ANGLE PROJECTION   |  |
| 4 PLACES ±  |                     | 3 PLACES ±   |  | 2 PLACES ± 0.13  |  |
| 1 PLACE ±   |                     | 0 PLACES ±   |  | DRAWING SERIES<br><b>C-SIZE 75784</b>                                      |  |
| DOCUMENT NUMBER<br><b>SD-75784-001</b>  |                     | DOC TYPE DOC PART REVISION<br><b>PSD 001 D6</b>          |  | MATERIAL NUMBER CUSTOMER SHEET NUMBER<br>SEE TABLE GENERAL MARKET 10 OF 13 |  |

# VERTICAL CONNECTOR WITH SHELL PCB FOOT PRINT DESCRIPTIONS

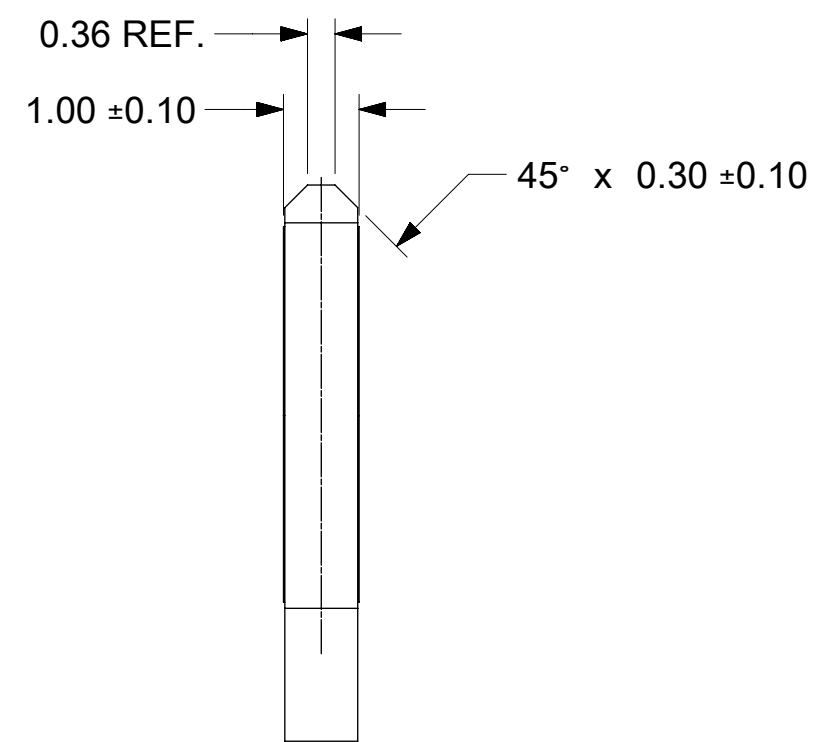


iPass™ IS A TRADEMARK OF MOLEX

|   |        |   |  |  |  |       |           |  |                |
|---|--------|---|--|--|--|-------|-----------|--|----------------|
| THIS DRAWING CONTAINS INFORMATION THAT IS PROPRIETARY TO MOLEX ELECTRONIC TECHNOLOGIES, LLC AND SHOULD NOT BE USED WITHOUT WRITTEN PERMISSION |        |   |  |  |  |       |           |  |                |
| DIMENSION UNITS   | SCALE  | CURRENT REV DESC: OBSOLETE PART NUMBER<br>AS PER PCN#510579 |  |  | molex  |       |           |  |                |
| mm  | 5:1    |   |  |  | I-PASS VERT CONNECTOR<br>INTERNAL ASSY W/SHELL 0.8MM PITCH I/O |       |           |  |                |
| GENERAL TOLERANCES<br>(UNLESS SPECIFIED)  |        |   |  |  | PRODUCT CUSTOMER DRAWING                                       |       |           |  |                |
| ANGULAR TOL   | ± 0.5° | EC NO: 675088   |  |  | DOCUMENT NUMBER  |       |           |  |                |
| 4 PLACES  | ±      | DRWN: SUGEEB  |  |  | SD-75784-001   |       |           |  |                |
| 3 PLACES  | ±      | CHK'D: GGA  |  |  | PSD 001 D6   |       |           |  |                |
| 2 PLACES  | ± 0.13 | APPR: GGA   |  |  | DOC TYPE DOC PART REVISION                                     |       |           |  |                |
| 1 PLACE   | ± 0.25 | INITIAL REVISION:   |  |  | MATERIAL NUMBER  |       |           |  |                |
| 0 PLACES  | ±      | DRWN: KLANG   |  |  | CUSTOMER   |       |           |  |                |
| DRAFT WHERE APPLICABLE<br>MUST REMAIN<br>WITHIN DIMENSIONS  |        | THIRD ANGLE PROJECTION                                      |  |  | DRAWING  |       | SERIES    |  | SHEET NUMBER   |
|   |        |   |  |  | C-SIZE   | 75784 | SEE TABLE |  | GENERAL MARKET |
| 11 OF 13  |        |   |  |  |  |       |           |  |                |

|                 |    |              |            |          |
|-----------------|----|--------------|------------|----------|
| DOCUMENT STATUS | P1 | RELEASE DATE | 2021/09/08 | 12:08:25 |
|-----------------|----|--------------|------------|----------|

# MATING INTERFACE (FOR REFERENCE ONLY)



- NOTES:
- PAD CONFIGURATION FOR FIRST MATE.
  - PAD CONFIGURATION FOR SECOND MATE.
  - PAD CONFIGURATION FOR THIRD MATE. (HIGH SPEED SIGNALS)
  - FOR PIN ASSIGNMENTS AND MATING SEQUENCE (1ST, 2ND, 3RD), SEE APPLICABLE SPECIFICATION.
  - MINIMUM STEP REQUIRED IF PCB MADE WIDER THAN TONGUE.

iPass™ IS A TRADEMARK OF MOLEX


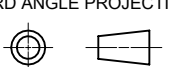
| CIRCUIT SIZE | TERM/SIDE 'N' | DIM 'B' | DIM 'C' | DIM 'D' | DIM 'E' |
|--------------|---------------|---------|---------|---------|---------|
| 26           | 13            | 9.60    | 4.60    | 5.00    | 11.60   |
| 36           | 18            | 13.60   | 6.60    | 7.00    | 15.60   |
| 50           | 25            | 19.20   | 9.40    | 9.80    | 21.20   |
| 68           | 34            | 26.40   | 13.00   | 13.40   | 28.40   |

|   |  |  |  |  |  |                 |  |  |  |              |  |
|---|--|--|--|--|--|-----------------|--|--|--|--------------|--|
| THIS DRAWING CONTAINS INFORMATION THAT IS PROPRIETARY TO MOLEX ELECTRONIC TECHNOLOGIES, LLC AND SHOULD NOT BE USED WITHOUT WRITTEN PERMISSION |  |  |  |  |  |                 |  |  |  |              |  |
| DIMENSION UNITS: mm   |  | SCALE: 1:1   |  | CURRENT REV DESC: OBSOLETE PART NUMBER AS PER PCN#510579 |  |                 |  |  |  |              |  |
| GENERAL TOLERANCES (UNLESS SPECIFIED)   |  | ANGULAR TOL ± 0.5°                                   |  | EC NO: 675088  |  |                 |  |  |  |              |  |
| 4 PLACES ±  |  | 3 PLACES ±   |  | DRWN: SUGEEB   |  | 2021/08/03      |  | I-PASS VERT CONNECTOR<br>INTERNAL ASSY W/SHELL 0.8MM PITCH I/O |  |              |  |
| 2 PLACES ± 0.13   |  | 1 PLACE ± 0.25                                       |  | CHK'D: GGA   |  | 2021/09/08      |  |  |  |              |  |
| 0 PLACES ±  |  | DRAFT WHERE APPLICABLE MUST REMAIN WITHIN DIMENSIONS |  | APPR: GGA  |  | 2021/09/08      |  | PRODUCT CUSTOMER DRAWING                                       |  |              |  |
| THIRD ANGLE PROJECTION  |  | DRAWING  |  | SERIES   |  | MATERIAL NUMBER |  | CUSTOMER   |  | SHEET NUMBER |  |
| C-SIZE  |  | 75784  |  | SEE TABLE  |  | GENERAL MARKET  |  | SD-75784-001   |  | 12 OF 13     |  |
| PSD   |  | 001  |  | D6   |  |                 |  |  |  |              |  |

|                 |    |              |            |          |
|-----------------|----|--------------|------------|----------|
| DOCUMENT STATUS | P1 | RELEASE DATE | 2021/09/08 | 12:08:25 |
|-----------------|----|--------------|------------|----------|

REVISION DESCRIPTION

| REV | DATE       | DESCRIPTION   |
|-----|------------|---|
| D5  | 2019/4/17  | DRAWING MIGRATION TO ECTR   |
| D6  | 2021/08/03 | OBSOLETE PART NUMBERS:<br>757840008,757840019,757840020,757840021,757840022,757840023,757840024,757840029,757840030,757840031,757840033,<br>757840034,757840035,757840107,757840108,757840130,757840135,757840145,757840146,757840149,757840153,757840154,<br>757840155,757840157,757840158,757840207,757840209,757840210,757840211,757840219,757840220,757840221,757840222,<br>757840223,757840224,757840227,757840228,757840229,757840230,757840231,757840233,757840234,757840235,757840236,<br>757840237,757840238,757840239,757840241,757840242,757840243,757840246,757840247,757840248,757840249,757840250,<br>757840251,757840309,757840310,757840311,757840312,757840319,757840321,757840322,757840323,757840325,757840331,<br>757840335,757840339,757840341,757840342,757840343,757840345,757840346,757840347,757840349,757840350 |

|   |        |   |  |         |   |  |  |  |  |
|---|--------|---|--|---------|---|--|--|--|--|
| THIS DRAWING CONTAINS INFORMATION THAT IS PROPRIETARY TO MOLEX ELECTRONIC TECHNOLOGIES, LLC AND SHOULD NOT BE USED WITHOUT WRITTEN PERMISSION |        |   |  |         |   |  |  |  |  |
| DIMENSION UNITS   | SCALE  | CURRENT REV DESC: OBSOLETE PART NUMBER AS PER PCN#510579                              |  |         |  |  |  |  |  |
| mm  | 1:1    |   |  |         |   |  |  |  |  |
| GENERAL TOLERANCES (UNLESS SPECIFIED)   |        |   |  |         | I-PASS VERT CONNECTOR<br>INTERNAL ASSY W/SHELL 0.8MM PITCH I/O                        |  |  |  |  |
| ANGULAR TOL   | ± 0.5° | EC NO: 675088   |  |         |   |  |  |  |  |
| 4 PLACES  | ±      | DRWN: SUGEEB 2021/08/03   |  |         | PRODUCT CUSTOMER DRAWING  |  |  |  |  |
| 3 PLACES  | ±      | CHK'D: GGA 2021/09/08   |  |         |   |  |  |  |  |
| 2 PLACES  | ± 0.13 | APPR: GGA 2021/09/08  |  |         | DOCUMENT NUMBER: SD-75784-001<br>DOC TYPE: PSD<br>DOC PART: 001<br>REVISION: D6       |  |  |  |  |
| 1 PLACE   | ± 0.25 | INITIAL REVISION:   |  |         |   |  |  |  |  |
| 0 PLACES  | ±      | DRWN: KLANG 2005/04/15  |  |         | MATERIAL NUMBER: SEE TABLE<br>CUSTOMER: GENERAL MARKET<br>SHEET NUMBER: 13 OF 13      |  |  |  |  |
| DRAFT WHERE APPLICABLE MUST REMAIN WITHIN DIMENSIONS  |        | THIRD ANGLE PROJECTION  |  | DRAWING |   |  |  |  |  |
|   |        |  |  | C-SIZE  | 75784   |  |  |  |  |

|                 |    |              |            |          |
|-----------------|----|--------------|------------|----------|
| DOCUMENT STATUS | P1 | RELEASE DATE | 2021/09/08 | 12:08:25 |
|-----------------|----|--------------|------------|----------|