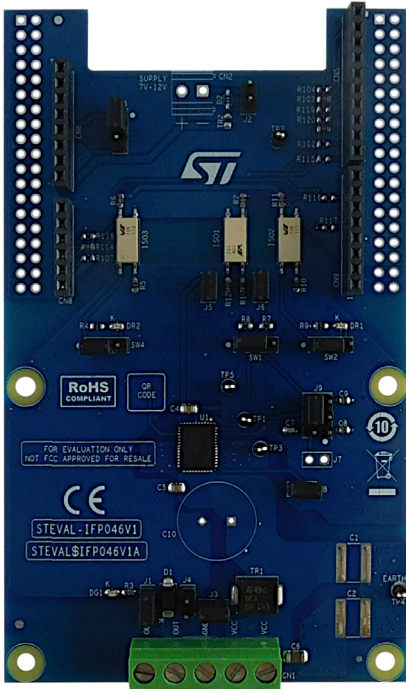


## Industrial digital output expansion board based on IPS1025H-32 in a QFN48L package



### Features

- Based on the [IPS1025H-32](#) single high-side switch, which features:
  - Operating range up to 60 V
  - Low-power dissipation ( $R_{ON(MAX)} = 25\text{ m}\Omega$ )
  - Fast decay for inductive loads
  - Smart driving of capacitive loads
  - Undervoltage lock-out
  - Overload and overtemperature protections
  - QFN48L 8x6 mm package
- Application board operating range: 8 to 33 V/0 to 5.7 A
- Extended voltage operating range (J3 open) up to 60 V
- Green LED for output on/off status
- Red LEDs for overload and overheating diagnostics
- 5 kV galvanic isolation
- Supply rail reverse polarity protection
- Compatible with [STM32 Nucleo](#) development boards
- Equipped with Arduino UNO R3 connectors
- CE certified
- RoHS and China RoHS compliant
- Not FCC approved for resale

### Description

The [STEVAL-IFP046V1](#) is an industrial digital output expansion board. It provides a powerful and flexible environment for the evaluation of the driving and diagnostic capabilities of the [IPS1025H-32](#) single high-side smart power solid state relay, in a digital output module connected to 5.7 A industrial loads.

The [STEVAL-IFP046V1](#) can interface with the microcontroller on the [STM32 Nucleo](#) via 5 kV optocouplers driven by GPIO pins and Arduino R3 connectors.

The expansion board can be connected to either a [NUCLEO-F401RE](#) or a [NUCLEO-G431RB](#) development board.

It is also possible to evaluate a system composed of up to four stacked [STEVAL-IFP046V1](#) expansion boards.

As an example, a system with four [STEVAL-IFP046V1](#) expansion boards allows you to evaluate a quad channel digital output module.

Product summary	
Industrial digital output expansion board based on IPS1025H-32	<a href="#">STEVAL-IFP046V1</a>
Single high-side smart power solid state relay	<a href="#">IPS1025HQ-32</a>
Software expansion for STM32Cube driving industrial digital output based on IPS	<a href="#">X-CUBE-IPS</a>
Applications	<a href="#">Programmable Logic Controllers</a>

# 1 Schematic diagrams

Figure 1. STEVAL-IFP046V1 circuit schematic (1 of 2)

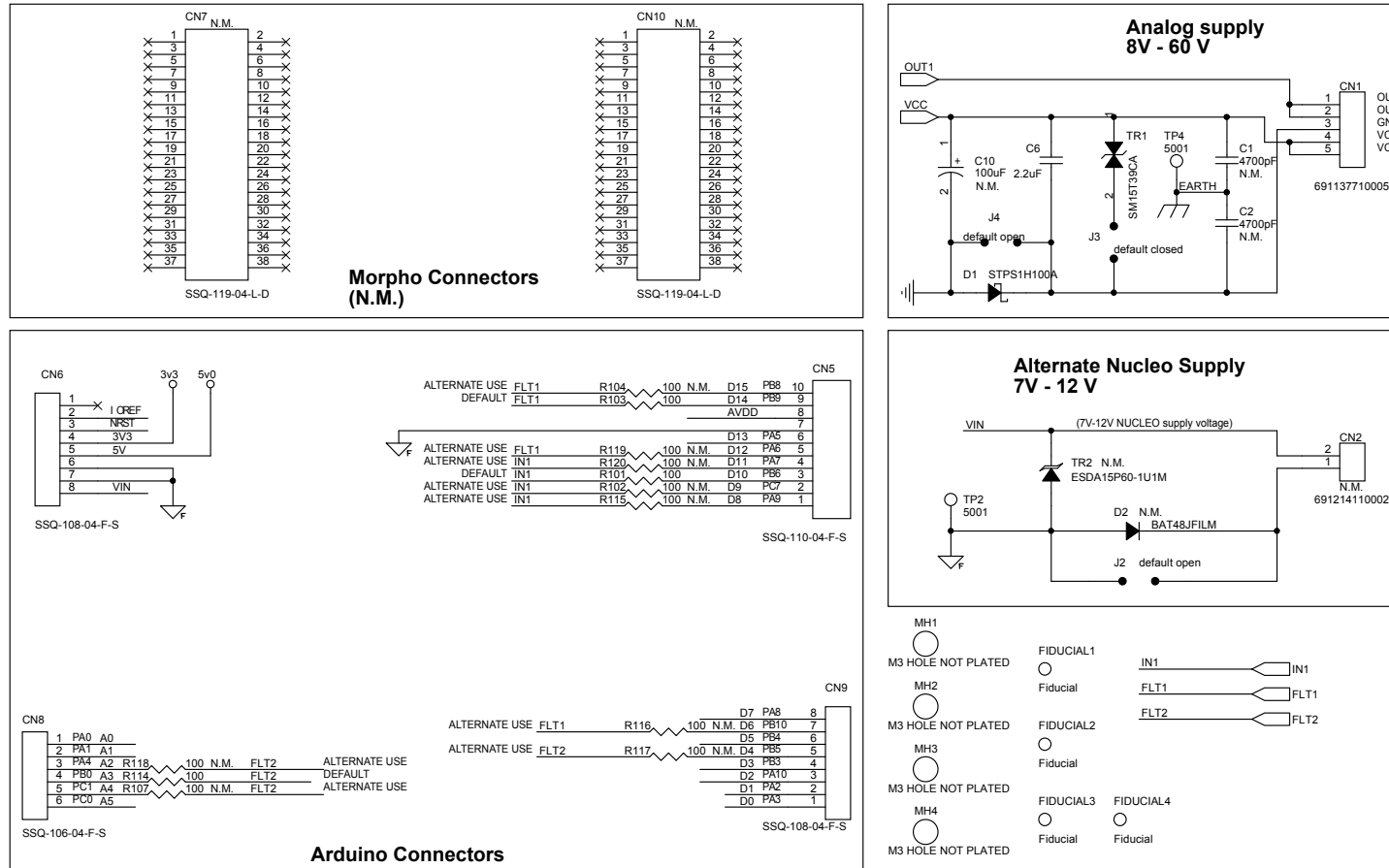
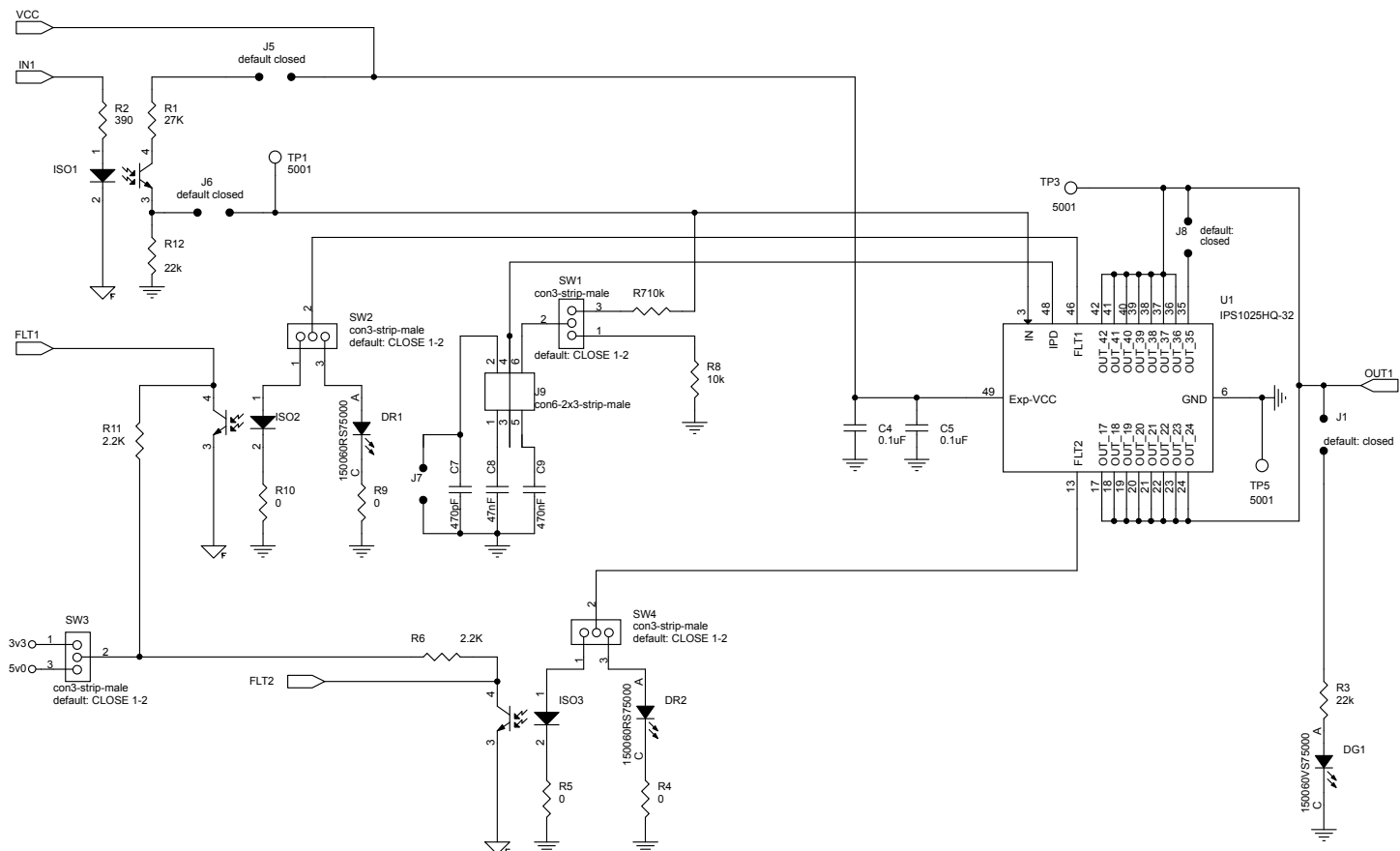


Figure 2. STEVAL-IFP046V1 circuit schematic (2 of 2)



## 2 Board versions

Table 1. STEVAL-IFP046V1 versions

PCB version	Schematic diagrams	Bill of materials
STEVAL\$IFP046V1A <sup>(1)</sup>	STEVAL\$IFP046V1A schematic diagrams	STEVAL\$IFP046V1A bill of materials

1. This code identifies the STEVAL-IFP046V1 evaluation board first version. It is printed on the board PCB.

## Revision history

**Table 2. Document revision history**

Date	Revision	Changes
29-Aug-2022	1	Initial release.

**IMPORTANT NOTICE – READ CAREFULLY**

STMicroelectronics NV and its subsidiaries (“ST”) reserve the right to make changes, corrections, enhancements, modifications, and improvements to ST products and/or to this document at any time without notice. Purchasers should obtain the latest relevant information on ST products before placing orders. ST products are sold pursuant to ST’s terms and conditions of sale in place at the time of order acknowledgment.

Purchasers are solely responsible for the choice, selection, and use of ST products and ST assumes no liability for application assistance or the design of purchasers’ products.

No license, express or implied, to any intellectual property right is granted by ST herein.

Resale of ST products with provisions different from the information set forth herein shall void any warranty granted by ST for such product.

ST and the ST logo are trademarks of ST. For additional information about ST trademarks, refer to [www.st.com/trademarks](http://www.st.com/trademarks). All other product or service names are the property of their respective owners.

Information in this document supersedes and replaces information previously supplied in any prior versions of this document.

© 2022 STMicroelectronics – All rights reserved