

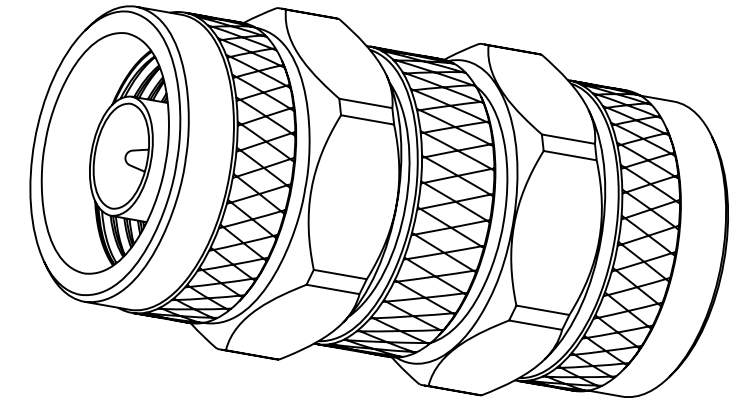
NOTES:

1. MATERIALS AND FINISHES:
  - BODY - BRASS, WHITE BRONZE PLATING
  - CONTACT - BRASS, SILVER PLATING
  - INSULATOR - PTFE, NATURAL
  - GASKET - SILICONE RUBBER, RED
2. ELECTRICAL:
  - A. IMPEDANCE: 50 OHM
  - B. FREQUENCY RANGE: DC-18 GHz
  - C. VSWR: 1.15 MAX. DC - 18 GHz
  - D. DIELECTRIC WITHSTANDING VOLTAGE: 1000 VRMS, MIN.
  - E. INTERMODULATION 3rd ORDER: -166 dBc @2X20W
3. MECHANICAL:
  - A. DURABILITY: 500 CYCLES MIN.
  - B. TEMPERATURE RANGE: -65°C TO 165°C
4. PACKAGING:
  - A. QUANTITY: SINGLE PACK
  - B. MARKING: PACKAGING TO BE MARKED  
"AMPHENOL RF, AD-NPNP-2, DATE CODE"

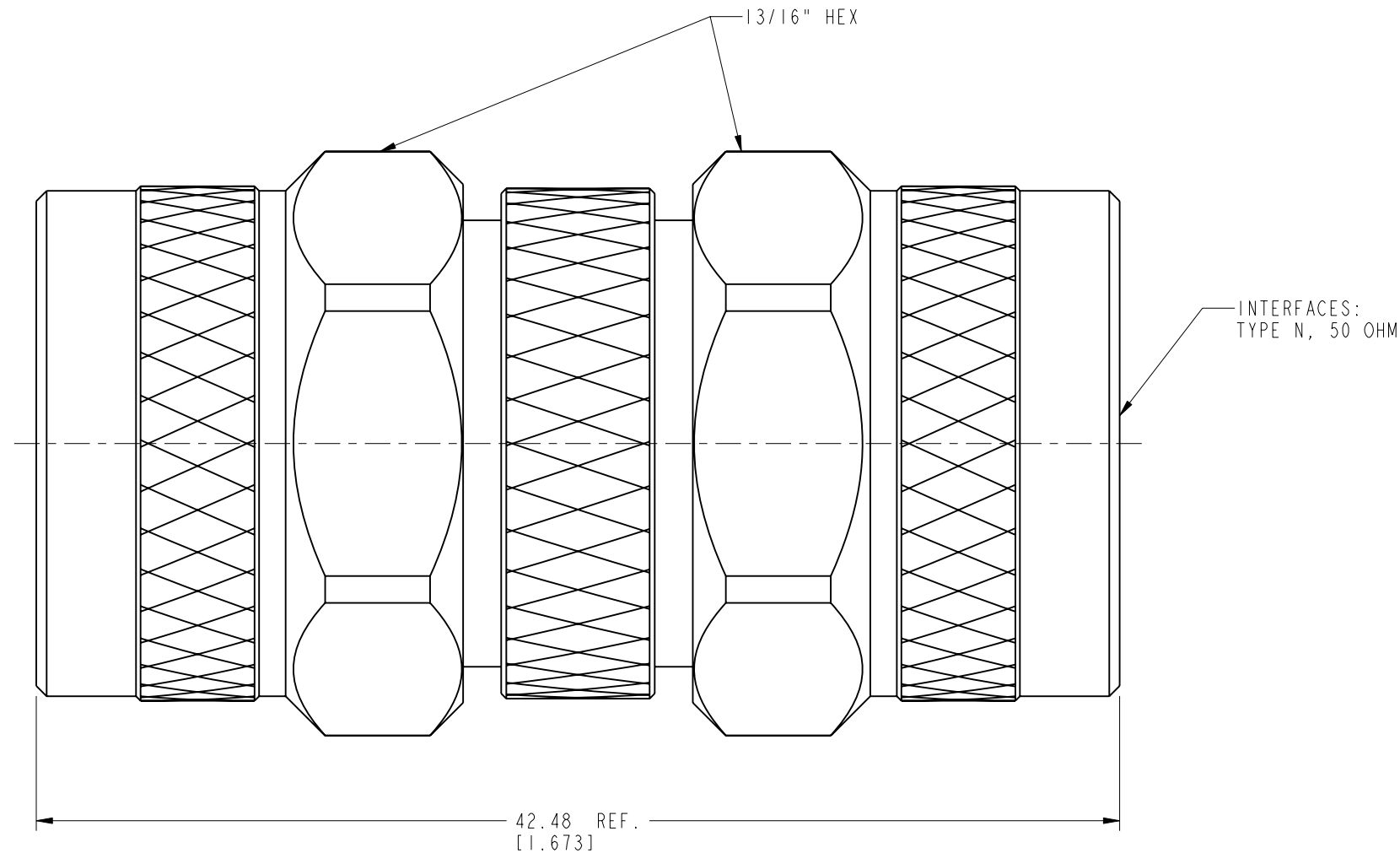
THIRD ANGLE PROJ.

REVISIONS

REV	DESCRIPTION	DATE	ECN	APPR
A	RELEASE TO MANUFACTURING	18-Dec-19	14001	CJV



SCALE 2.000



INTERFACES:  
TYPE N, 50 OHM

**CUSTOMER OUTLINE DRAWING**

ALL OTHER SHEETS ARE FOR INTERNAL USE ONLY

UNLESS OTHERWISE SPECIFIED, DIMENSIONS ARE IN METRIC AND TOLERANCES ARE: <0.5mm ±0.05mm    0.5 - 6mm ±0.1mm    6 - 30mm ±0.2mm    30 - 120mm ±0.3mm    ANGLES ±1°	MATERIAL	DRAWN	DATE	TITLE		Amphenol RF www.amphenolrf.com	
	SEE NOTES	WIKI	25-Dec-19	18 GHz TYPE N PLUG TO PLUG LOW PIM ADAPTER			
NOTICE - These drawings, specifications, or other data (1) are, and remain the property of Amphenol corp. (2) must be returned upon request; and (3) are confidential and not to be disclosed to any person other than those to whom they are given by Amphenol Corp. the furnishing of these drawings, specifications, or other data by Amphenol Corp., or to any other person to anyone for any purpose is not to be regarded by implication or otherwise in any manner licensing, granting rights to permitting such holder or any other person to manufacture, use or sell any product, process or design, patented or otherwise, that may in any way be related to or disclosed by said drawings, specifications, or other data.	REFERENCE	ENGINEER	DATE	SCALE: 4.0:1.0 SHEET 2 OF 2		DRAWING NO. AD-NPNP-2	
	EAR# 9071	STAR	2-Jan-20	DWG SIZE		ITEM NO. AD-NPNP-2	
	REF: ---	APPROVED	S.HSIEH	DATE	B	REV	PART NO. AD-NPNP-2
	CONFIGURATION LEVEL: In Work	CAD FILE		2-Jan-20		A	
FINISH							