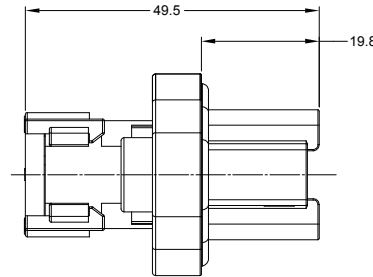
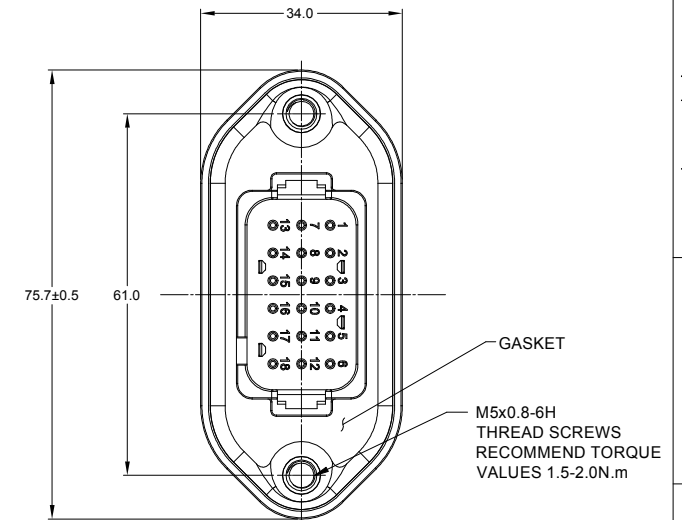
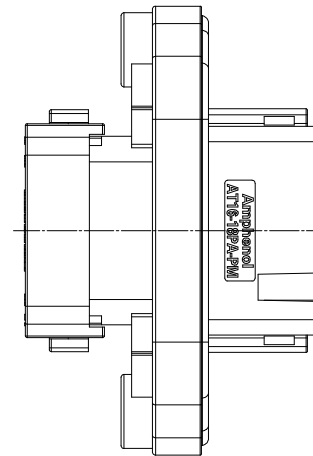
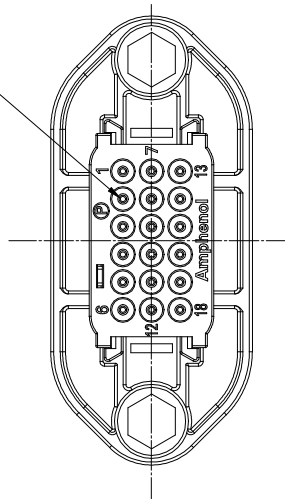


MOUNTING PLATE SIZE



△ STANDARD OR REDUCED DIAMETER SEAL



NOTES: UNLESS OTHERWISE SPECIFIED

- MATERIAL:  
HOUSING: THERMOPLASTIC; COLOR: SEE CHART  
END CAP: THERMOPLASTIC; COLOR: BLACK  
STRAIN RELIEF CAP: THERMOPLASTIC; COLOR: BLACK  
SEALS: SILICONE RUBBER; COLOR: RED, RD COLOR: GREEN
- MODIFICATIONS: FLANGE, GASKET, END CAP, STRAIN RELIEF CAP (OPT), REDUCED DIAMETER SEAL, STANDARD SEAL (OPT).
- SPECIFICATIONS:  
3.1 CURRENT RATING: 13 AMPS  
3.2 OPERATING TEMPERATURE: -55°C TO +125°C  
3.3 DIELECTRIC WITHSTANDING VOLTAGE: LESS THAN 2 MILLIAMPS CURRENT LEAKAGE @ 1500 VOLTS AC.  
3.4 INSULATION RESISTANCE: 1000 MEGOHMS MIN @ 25°C.  
3.5 MOISTURE RESISTANCE:  
IP68(1M OF WATER FOR A PERIOD OF 24 HOURS , MATED CONDITION)  
IP69K(MATED CONDITION)  
3.6 MATING CYCLE DURABILITY: 100 CYCLES  
3.7 RoHS COMPLIANT
- MATING PART: AT16-18SX-\* PLUGS  
( X = A,B,C,D,E KEYS; \* = MODIFICATIONS AND COLORS )
- ALL DIMENSIONS ARE FOR REFERENCE USE ONLY.

△ CONTACT SIZE AND REAR SEAL WIRE RANGE

| REDUCED DIAMETER SEAL: |                   |                   |                    |
|------------------------|-------------------|-------------------|--------------------|
| CONTACT SIZE           | MIN. INSUL O.D.   | MAX. INSUL O.D.   | TYPICAL WIRE RANGE |
| 16                     | 1.35 mm (.053 in) | 3.05 mm (.120 in) | 14 - 20 AWG        |
| STANDARD SEAL:         |                   |                   |                    |
| CONTACT SIZE           | MIN. INSUL O.D.   | MAX. INSUL O.D.   | TYPICAL WIRE RANGE |
| 16                     | 2.24 mm (.088 in) | 3.68 mm (.145 in) | 14 - 20 AWG        |

| REVISIONS |     |                 |           |       |       |
|-----------|-----|-----------------|-----------|-------|-------|
| REV       | ECO | DESCRIPTION     | DATE      | BY    | APPR  |
| A1        | -   | RELEASE DRAWING | 30JUN2020 | ZENIN | TOMMY |

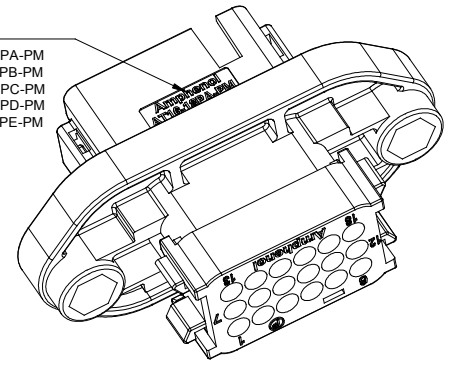
TITLE: 18 POSITION RECEPTACLE, PIN,PANELMATE,AT SERIES  
DWG NO.: AT16-18PX-PMXX  
REV: A1  
SH: 1  
OF: 3

| QUANTITY  | SEE CHART | PART NUMBER  | DESCRIPTION | ITEM                            |
|---|-----------|--|-------------|---------------------------------|
| <b>MATERIALS LIST</b>   |           |  |             |                                 |
| UNLESS OTHERWISE SPECIFIED<br>1) All dimensions are in metric(mm).<br>2) Tolerances are as follows:<br>1 PL DEC ±0.30<br>2 PL DEC ±0.15<br>3 PL DEC ±0.08<br>3) Note reference = △<br>Fractions ±1/64<br>Angles ±1° |           | <b>SIGNATURES</b> <b>DATE</b><br>DRAWN: ZENIN,DENG      28/JUN/20<br>CHECKED: ORIONLI      28/JUN/20<br>ENGINEER:<br>APPROVAL: TOMMY,XIE      30/JUN/20<br>CUSTOMER:   |             |                                 |
| MATERIAL SPECIFICATIONS:  |           | <b>Amphenol</b><br>Sine Systems - www.amphenol-sine.com<br>44724 Morley Drive<br>Clinton Township, MI 48036<br><b>18 POSITION RECEPTACLE, PIN,PANELMATE AT SERIES</b>  |             |                                 |
| PROCESS SPECIFICATIONS:   |           |  |             |                                 |
| NEXT ASSY:  |           | THIS DRAWING IS SUPPLIED FOR INFORMATION ONLY. DESIGN FEATURES, SPECIFICATIONS AND PERFORMANCE DATA SHOWN HEREON ARE THE PROPERTY OF THE AMPHENOL CORPORATION. NO RIGHTS OF REPRODUCTION ARE IMPLIED. ALL DIMENSIONS ARE SUBJECT TO NORMAL MANUFACTURING VARIATIONS. |             |                                 |
| SCALE: NONE   |           | <b>SIZE</b> TYPE DWG NO.:<br><b>B C-</b> <b>AT16-18PX-PMXX</b> <b>A1</b>   |             | <b>REVISION</b><br>SHEET 1 OF 3 |

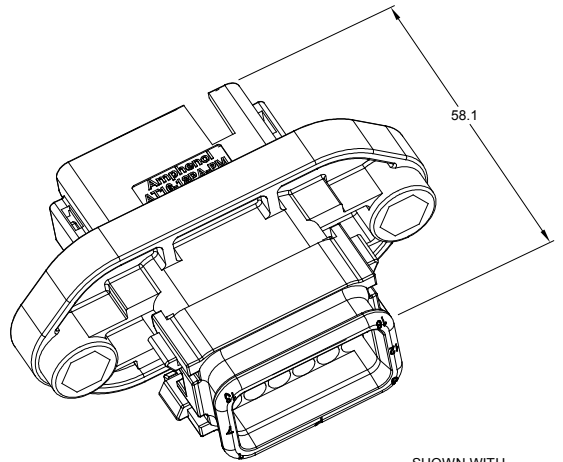
REVISIONS

| REV | ECO | DESCRIPTION     | DATE      | BY    | APPR  |
|-----|-----|-----------------|-----------|-------|-------|
| A1  | -   | RELEASE DRAWING | 30/JUN/20 | ZENIN | TOMMY |

LOGO AND P/N  
 A-KEYED P/N:AT16-18PA-PM  
 B-KEYED P/N:AT16-18PB-PM  
 C-KEYED P/N:AT16-18PC-PM  
 D-KEYED P/N:AT16-18PD-PM  
 E-KEYED P/N:AT16-18PE-PM

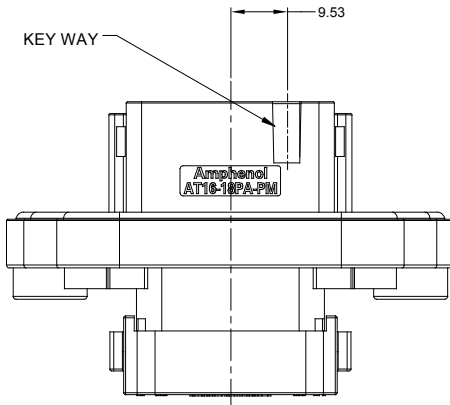


SHOWN WITH  
END CAP



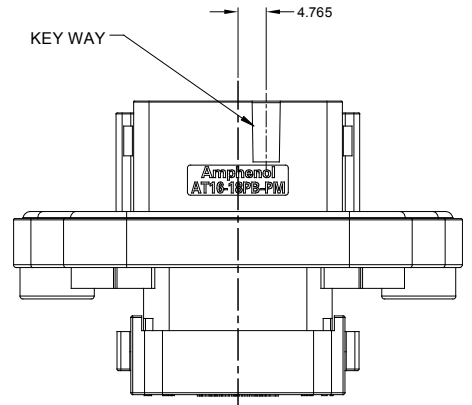
SHOWN WITH  
STRAIN RELIEF

58.1



P/N AT16-18PA-PMXX  
KEY-A CONFIGURATION  
COLOR: GRAY

| KEY-A CONFIGURATION |               |              |
|---------------------|---------------|--------------|
| PART NUMBER         | STRAIN RELIEF | SEAL         |
| AT16-18PA-PM11      | NO            | REDUCED DIA. |
| AT16-18PA-PM15      | YES           | REDUCED DIA. |
| AT16-18PA-PM12      | NO            | STANDARD     |
| AT16-18PA-PM16      | YES           | STANDARD     |



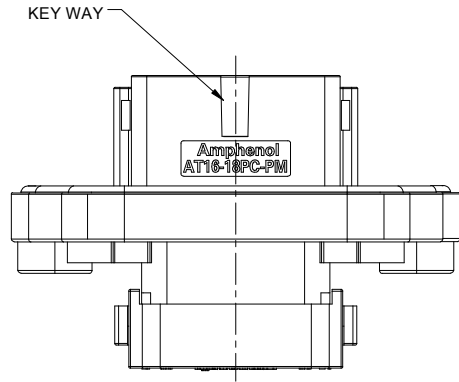
P/N AT16-18PB-PMXX  
KEY-B CONFIGURATION  
COLOR: BLACK

| KEY-B CONFIGURATION |               |              |
|---------------------|---------------|--------------|
| PART NUMBER         | STRAIN RELIEF | SEAL         |
| AT16-18PB-PM11      | NO            | REDUCED DIA. |
| AT16-18PB-PM15      | YES           | REDUCED DIA. |
| AT16-18PB-PM12      | NO            | STANDARD     |
| AT16-18PB-PM16      | YES           | STANDARD     |

| QUANTITY  | PART NUMBER | DESCRIPTION  | ITEM                        |
|---|-------------|--|-----------------------------|
| <b>MATERIALS LIST</b>   |             |  |                             |
| <b>UNLESS OTHERWISE SPECIFIED</b><br>1) All dimensions are in metric(mm).<br>2) Tolerances are as follows:<br>1 PL DEC ±0.30<br>2 PL DEC ±0.15<br>3 PL DEC ±0.08<br>Fractions ±1/64<br>Angles ±1° |             | <b>SIGNATURES</b> <b>DATE</b><br>DRAWN: ZENIN,DENG    28/JUN/20<br>CHECKED: ORIONLI    29/JUN/20<br>ENGINEER:<br>APPROVAL: TOMMY,XIE    30/JUN/20<br>CUSTOMER:   |                             |
| MATERIAL SPECIFICATIONS:<br><br>PROCESS SPECIFICATIONS:   |             | <br>Sine Systems - www.amphenol-sine.com<br>44724 Morley Drive<br>Clinton Township, MI 48036   |                             |
| NEXT ASSY:  |             | THIS DRAWING IS SUPPLIED FOR INFORMATION ONLY. DESIGN FEATURES, SPECIFICATIONS AND PERFORMANCE DATA SHOWN HEREON ARE THE PROPERTY OF THE AMPHENOL CORPORATION. NO RIGHTS OF REPRODUCTION ARE IMPLIED. ALL DIMENSIONS ARE SUBJECT TO NORMAL MANUFACTURING VARIATIONS. |                             |
|   |             | 18 POSITION RECEPTACLE, PIN,PANELMATE AT SERIES<br><br><b>SIZE</b> TYPE DWG NO: <b>REVISION</b><br><b>B C-</b> <b>AT16-18PX-PMXX</b> <b>A1</b>   | SCALE: NONE<br>SHEET 2 OF 3 |

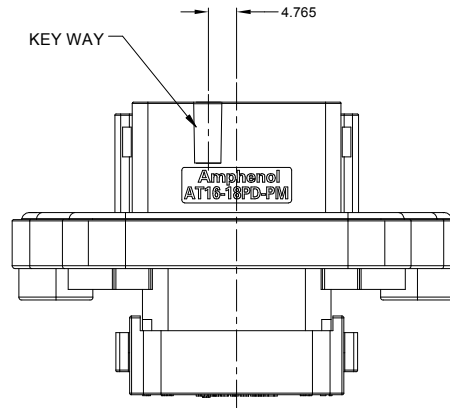
TITLE: 18 POSITION RECEPTACLE, PIN,PANELMATE,AT SERIES  
 DWG NO: AT16-18PX-PMXX  
 REV: A1  
 SH: 2  
 OF: 3

| REVISIONS |     |                 |           |       |       |
|-----------|-----|-----------------|-----------|-------|-------|
| REV       | ECO | DESCRIPTION     | DATE      | BY    | APPR  |
| A1        | -   | RELEASE DRAWING | 30/JUN/20 | ZENIN | TOMMY |



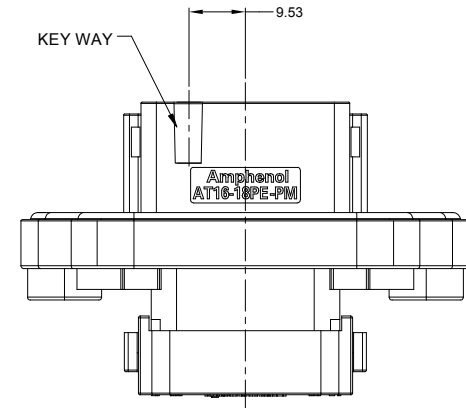
P/N AT16-18PC-PMXX  
KEY-C CONFIGURATION  
COLOR: GREEN

| KEY-C CONFIGURATION |               |              |
|---------------------|---------------|--------------|
| PART NUMBER         | STRAIN RELIEF | SEAL         |
| AT16-18PC-PM11      | NO            | REDUCED DIA. |
| AT16-18PC-PM15      | YES           | REDUCED DIA. |
| AT16-18PC-PM12      | NO            | STANDARD     |
| AT16-18PC-PM16      | YES           | STANDARD     |



P/N AT16-18PD-PMXX  
KEY-D CONFIGURATION  
COLOR: BROWN

| KEY-D CONFIGURATION |               |              |
|---------------------|---------------|--------------|
| PART NUMBER         | STRAIN RELIEF | SEAL         |
| AT16-18PD-PM11      | NO            | REDUCED DIA. |
| AT16-18PD-PM15      | YES           | REDUCED DIA. |
| AT16-18PD-PM12      | NO            | STANDARD     |
| AT16-18PD-PM16      | YES           | STANDARD     |



P/N AT16-18PE-PMXX  
KEY-E CONFIGURATION  
COLOR: GRAY

| KEY-E CONFIGURATION |               |              |
|---------------------|---------------|--------------|
| PART NUMBER         | STRAIN RELIEF | SEAL         |
| AT16-18PE-PM11      | NO            | REDUCED DIA. |
| AT16-18PE-PM15      | YES           | REDUCED DIA. |
| AT16-18PE-PM12      | NO            | STANDARD     |
| AT16-18PE-PM16      | YES           | STANDARD     |

| QUANTITY   | PART NUMBER | DESCRIPTION   | ITEM                         |
|--|-------------|---|------------------------------|
| <b>MATERIALS LIST</b>  |             |   |                              |
| <b>UNLESS OTHERWISE SPECIFIED</b><br>1) All dimensions are in metric(mm).<br>2) Tolerances are as follows:<br>1 PL DEC ±0.30<br>2 PL DEC ±0.15<br>3 PL DEC ±0.08<br>Fractions ±1/64<br>Angles ±1°<br>3) Note reference = |             | <b>SIGNATURES</b> <b>DATE</b><br>DRAWN: ZENIN DENG    28/JUN/20<br>CHECKED: ORION LI    29/JUN/20<br>ENGINEER:<br>APPROVAL: TOMMY XIE    30/JUN/20<br>CUSTOMER:   |                              |
| MATERIAL SPECIFICATIONS:<br><br>PROCESS SPECIFICATIONS:<br><br>NEXT ASSY:  |             | <b>Amphenol</b><br>Sine Systems - www.amphenol-sine.com<br>44724 Morley Drive<br>Clinton Township, MI 48036<br>18 POSITION RECEPTACLE, PIN,PANELMATE<br>AT SERIES<br>THIS DRAWING IS SUPPLIED FOR INFORMATION ONLY. DESIGN FEATURES, SPECIFICATIONS AND PERFORMANCE DATA SHOWN HEREON ARE THE PROPERTY OF THE AMPHENOL CORPORATION. NO RIGHTS OF REPRODUCTION ARE IMPLIED. ALL DIMENSIONS ARE SUBJECT TO NORMAL MANUFACTURING VARIATIONS. |                              |
|  |             | <b>SIZE</b> TYPE DWG NO:<br><b>B C-</b> <b>AT16-18PX-PMXX</b> <b>A1</b>   | <b>REVISION</b><br><b>A1</b> |
|  |             | SCALE: NONE   | SHEET 3 OF 3                 |

TITLE: 18 POSITION RECEPTACLE, PIN,PANELMATE,AT SERIES  
 DWG NO.: AT16-18PX-PMXX  
 REV: A1  
 SH: 3  
 OF: 3

# AT Series™ - Contact Size 16 Options

| Machined Contacts, Sockets & Pins |  |      |       |          |
|-----------------------------------|--|------|-------|----------|
| Part Number                       | Description                            | Size | AWG   | Type     |
| AT60-215-1631                     | Male Contact - Pin, Gold-plated        | 16   | 14    | Machined |
| AT62-209-1631                     | Female Contact - Socket, Gold-plated   | 16   | 14    | Machined |
| AT60-215-16141                    | Male Contact - Pin, Nickel-plated      | 16   | 14    | Machined |
| AT62-209-16141                    | Female Contact - Socket, Nickel-plated | 16   | 14    | Machined |
| AT60-202-1631                     | Male Contact - Pin, Gold-plated        | 16   | 16-20 | Machined |
| AT62-201-1631                     | Female Contact - Socket, Gold-plated   | 16   | 16-20 | Machined |
| AT60-202-16141                    | Male Contact - Pin, Nickel-plated      | 16   | 16-20 | Machined |
| AT62-201-16141                    | Female Contact - Socket, Nickel-plated | 16   | 16-20 | Machined |
| AT60-202-1631-22                  | Male Contact - Pin, Gold-plated        | 16   | 22-24 | Machined |
| AT62-201-1631-22                  | Female Contact - Socket, Gold-plated   | 16   | 22-24 | Machined |
| AT60-202-16141-22                 | Male Contact - Pin, Nickel-plated      | 16   | 22-24 | Machined |
| AT62-201-16141-22                 | Female Contact - Socket, Nickel-plated | 16   | 22-24 | Machined |

| Tooling - Machined Contacts   |             |   |
|---|-------------|---|
| Part  | Part Number | Description   |
|  | CA-5D12     | Universal Hand Crimp Tool, Size 12/16/20 (Machined contacts only) |
|  | CA-5E12     | Pneumatic Crimp Tool, Size 12/16/20 (Machined contacts only)      |

| Contact Removal Tools   |               |   |
|---|---------------|---|
| Part  | Part Number   | Description   |
|   | ATRT-100      | Used for removal of contacts for A Series™ products |
|  | AT11-310-1605 | Contact Removal Tool, Plastic, Size 16              |

| Sealing Plugs   |                  |   |
|---|------------------|---|
| Part  | Part Number      | Description                                     |
|  | A114017          | Sealing Plug, Size 16, White                    |
|  | A114017-SR       | Sealing Plug, Size 16, SR01 Series, Black       |
|  | AT13-217-1605    | Locking Sealing Plug, Size 16, Grey             |
|  | AT13-217-1605-SR | Locking Sealing Plug, Size 16, SR01 Series, Red |

| Stamped & Formed Contacts, Sockets & Pins |  |      |       |                  |
|---|--|------|-------|------------------|
| Part Number                               | Description                            | Size | AWG   | Type             |
| AT60-14-0144                              | Male Contact - Pin, Gold-plated        | 16   | 14-16 | Stamped & Formed |
| AT62-14-0144                              | Female Contact - Socket, Gold-plated   | 16   | 14-16 | Stamped & Formed |
| AT60-14-0122                              | Male Contact - Pin, Nickel-plated      | 16   | 14-16 | Stamped & Formed |
| AT62-14-0122                              | Female Contact - Socket, Nickel-plated | 16   | 14-16 | Stamped & Formed |
| AT60-16-0144                              | Male Contact - Pin, Gold-plated        | 16   | 16-18 | Stamped & Formed |
| AT62-16-0144                              | Female Contact - Socket, Gold-plated   | 16   | 16-18 | Stamped & Formed |
| AT60-16-0122                              | Male Contact - Pin, Nickel-plated      | 16   | 16-18 | Stamped & Formed |
| AT62-16-0122                              | Female Contact - Socket, Nickel-plated | 16   | 16-18 | Stamped & Formed |
| AT60-16-0644                              | Male Contact - Pin, Gold-plated        | 16   | 18-20 | Stamped & Formed |
| AT62-16-0644                              | Female Contact - Socket, Gold-plated   | 16   | 18-20 | Stamped & Formed |
| AT60-16-0622                              | Male Contact - Pin, Nickel-plated      | 16   | 18-20 | Stamped & Formed |
| AT62-16-0622                              | Female Contact - Socket, Nickel-plated | 16   | 18-20 | Stamped & Formed |
| AT60-16-0844                              | Male Contact - Pin, Gold-plated        | 16   | 20-22 | Stamped & Formed |
| AT62-16-0844                              | Female Contact - Socket, Gold-plated   | 16   | 20-22 | Stamped & Formed |
| AT60-16-0822                              | Male Contact - Pin, Nickel-plated      | 16   | 20-22 | Stamped & Formed |
| AT62-16-0822                              | Female Contact - Socket, Nickel-plated | 16   | 20-22 | Stamped & Formed |

| Tooling - Stamped & Formed Contacts  |             |   |
|--|-------------|---|
| Part   | Part Number | Description   |
|   | MFY-3950    | Crimp Die - Size 16, 18-20AWG (S&F contacts only)       |
|  | MFY-3953    | Crimp Die - Size 16, 16-18AWG (S&F contacts only)       |
|  | MFY-3975    | Crimp Die - Size 16, 14-16AWG (S&F contacts only)       |
|  | MFY-3990    | Crimp Die - Size 16, 20-22AWG (S&F contacts only)       |
|  | ATT-16-00   | Hand Crimp Tool - Size 16, 14-16AWG (S&F contacts only) |
|  | ATT-16-01   | Hand Crimp Tool - Size 16, 18-20AWG (S&F contacts only) |
|  | ATT-1612-03 | Hand Crimp Tool - Size 16, 20-22AWG (S&F contacts only) |