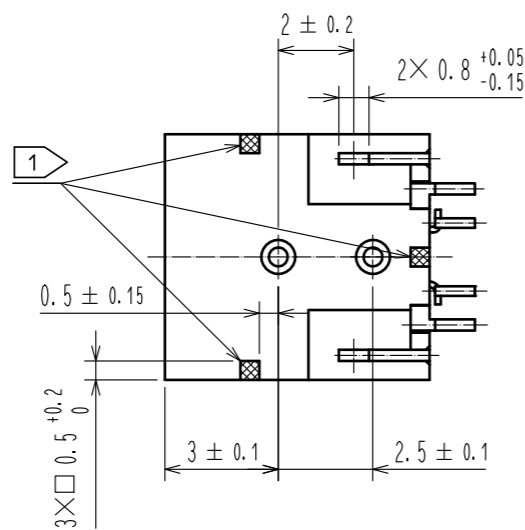
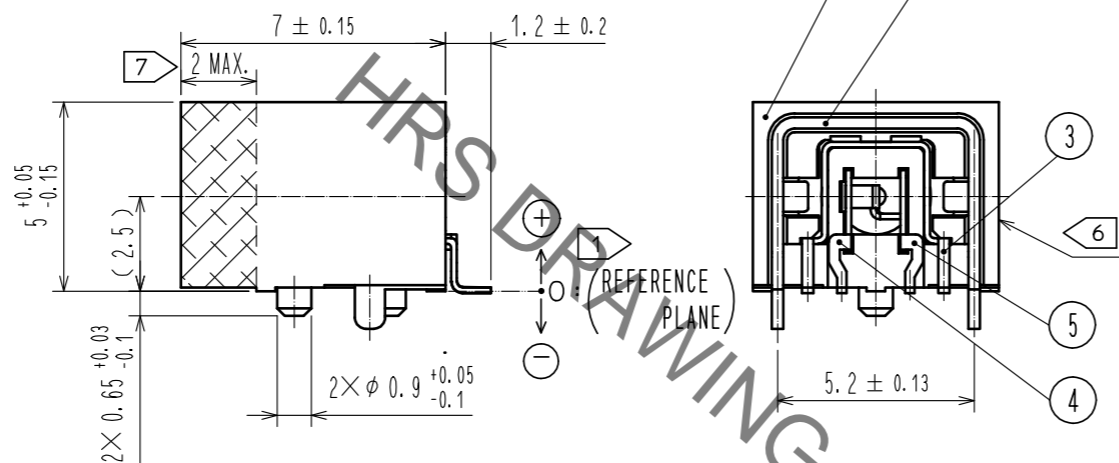
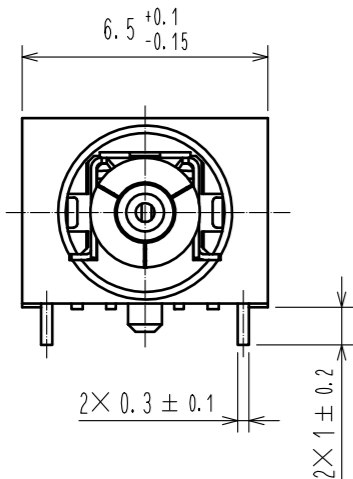
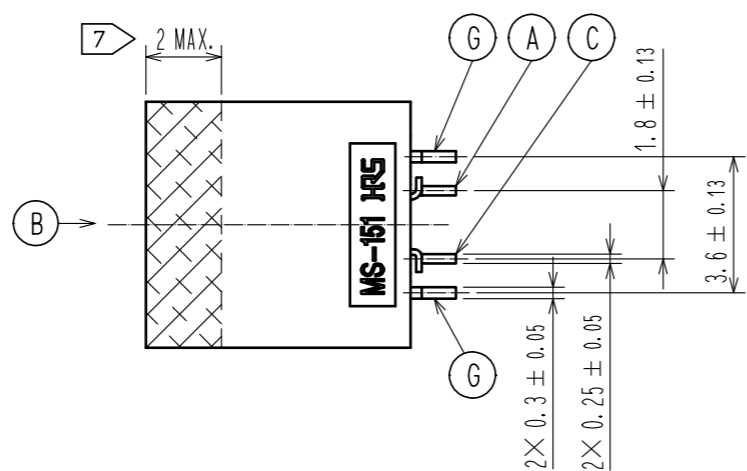
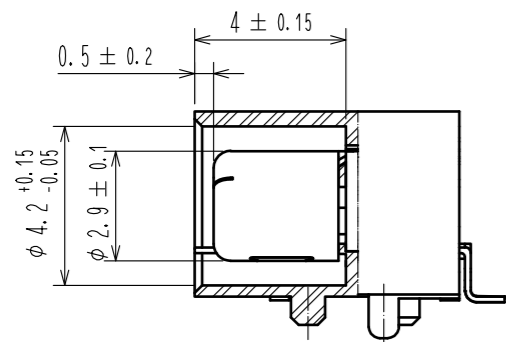
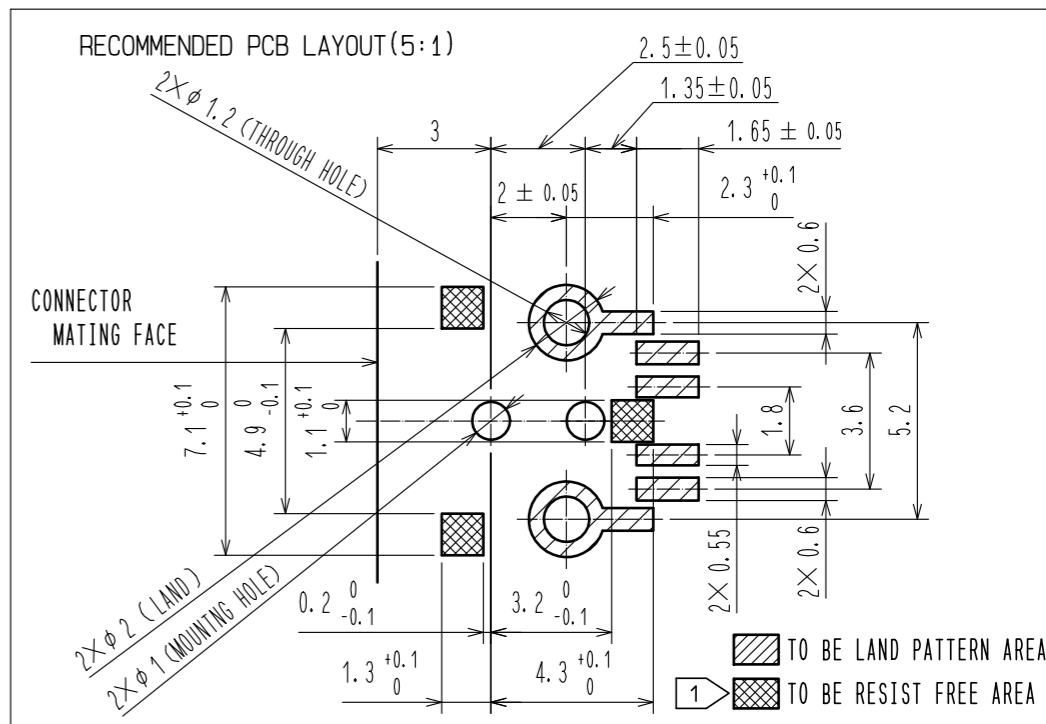
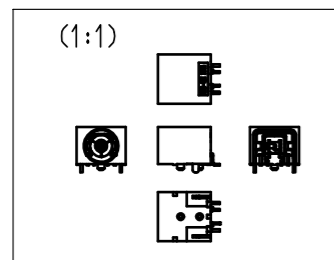
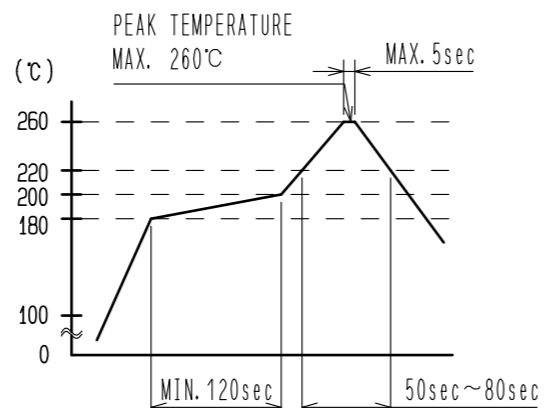


May.1.2023 Copyright 2023 HIROSE ELECTRIC CO., LTD. All Rights Reserved.
In case of consideration for using Automotive equipment / device which demand high reliability, kindly contact our sales window correspondents.

MATING FACE DIMENSIONS

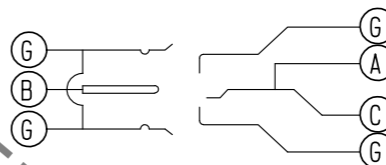


SPECIFIED REFLOW TEMPERATURE PROFILE FOR LEAD-FREE SOLDER

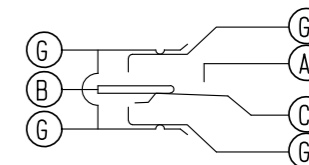


- NOTE 1 IS REFERENCE PLANE FOR PCB MOUNTING.
SMT READ COPLANARITY SHALL BE $-0.05^{+0.03}_{-0.07}$ FOR REFERENCE PLANE.
2. USE THIS PRODUCT WITH MS-151-C(LP) AND EQUIVALENT CONTACT MATED.
3. COAXIAL SWITCH CIRCUIT SHALL BE AS FOLLOWS.

STATE OF CONTACT NONMATED
(N.C.:NORMAL CLOSE)



STATE OF CONTACT MATED
(N.O.:NORMAL OPEN)



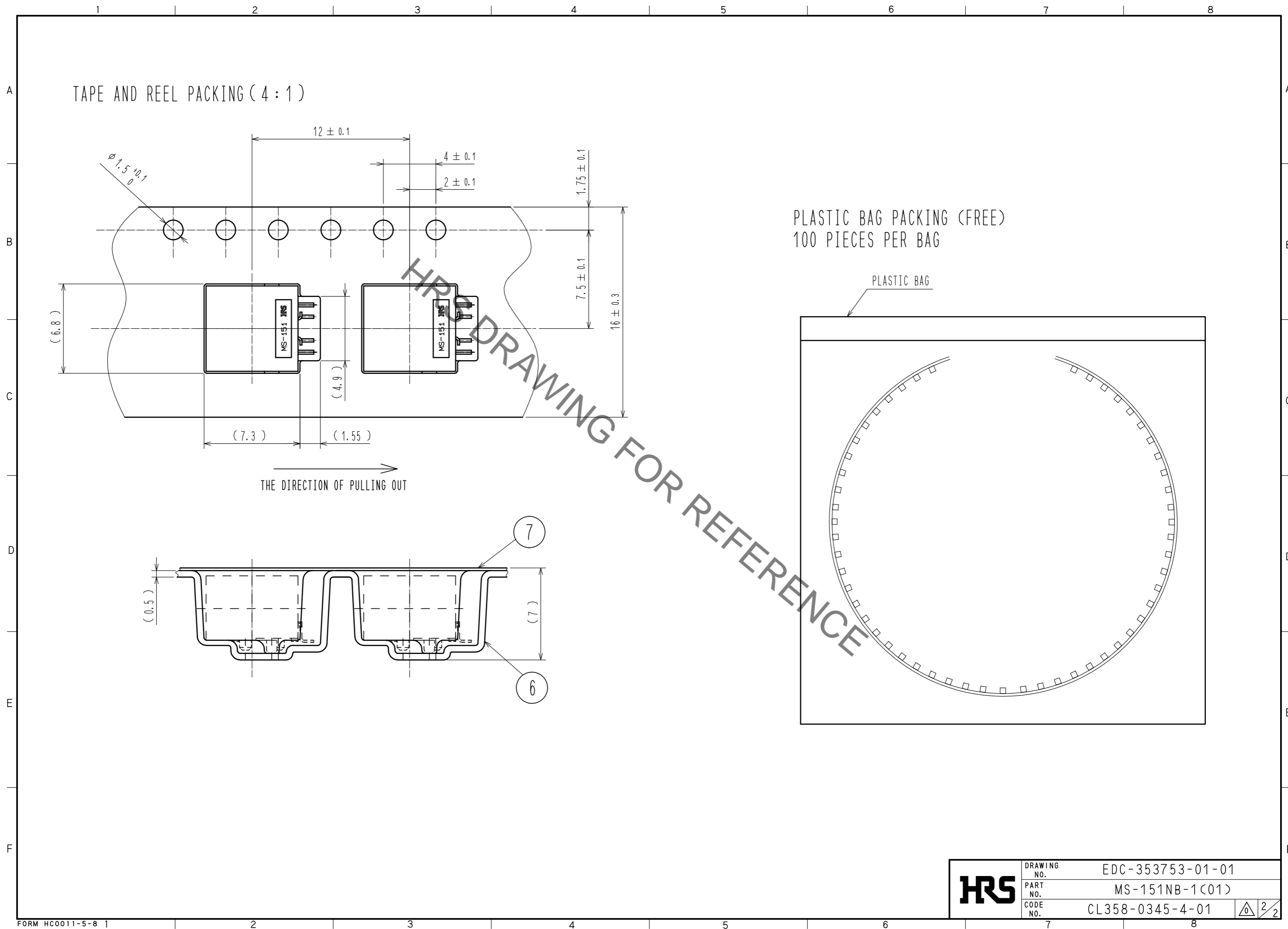
4. THIS PRODUCT IS IMPOSSIBLE TO WASH.
5. USE 0.15mm THICK METAL MASK.
6 LOT NO. IS MARKED ON THE SPECIFIED SURFACE.
7 FIX THE CONNECTOR WITH DEVICE CHASSIS AT THE AREA WITHIN 2mm FROM THE OPENING .

RoHS COMPLIANT

HALOGEN FREE COMPLIANT

3	PHOSPHOR BRONZE	SELECTIVE GOLD PLATING	7	PET	
2	STAINLESS STEEL	SELECTIVE GOLD PLATING	6	PS	
1	PA-M		5	PHOSPHOR BRONZE	SELECTIVE GOLD PLATING
			4	BERYLLIUM COPPER	SELECTIVE GOLD PLATING
NO.	MATERIAL	FINISH . REMARKS	NO.	MATERIAL	FINISH . REMARKS
UNITS mm		SCALE 5 : 1	COUNT 	DESCRIPTION OF REVISIONS	DESIGNED
HRS	HIROSE ELECTRIC CO., LTD.	APPROVED : KH. IKEDA	15. 08. 03	DRAWING NO.	EDC-353753-01-01
		CHECKED : NK. NINOMIYA	15. 08. 03	PART NO.	MS-151NB-1(01)
		DESIGNED : RO. FURUYAMA	15. 08. 03	CODE NO.	CL358-0345-4-01
		DRAWN : RO. FURUYAMA	15. 08. 03		1/2

May.1.2023 Copyright 2023 HIROSE ELECTRIC CO., LTD. All Rights Reserved.
In case of consideration for using Automotive equipment / device which demand high reliability, kindly contact our sales window correspondents.



HRS	DRAWING NO.	EDC-353753-01-01
	PART NO.	MS-151NB-1C01
	CODE NO.	CL358-0345-4-01
		2/2