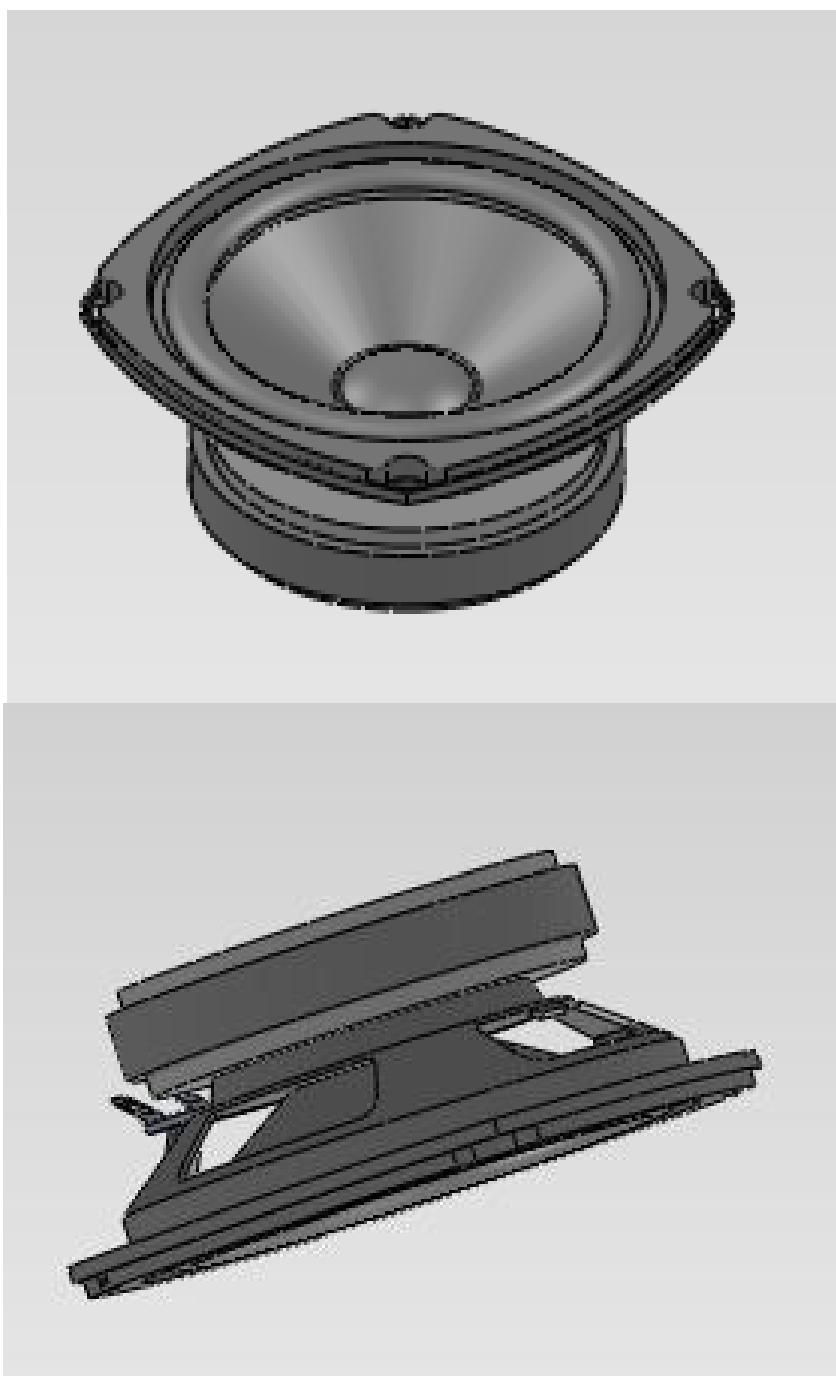


SPECIFICATION

BLS114-2-32H51 LF





SPECIFICATION FOR LOUD SPEAKER

TOTAL PAGE 10 www.bestargroups.com RoHS

Preliminary Specification For The Acoustic Characteristics for Louder Speaker

Customer		Model Name	BLS114-2-32H51 LF
Customer P/N		Product No.	125303
Date	14 Mar. 2014	Issue No.	BS/TES01.1272A
Page	01 of 10	Issue Date	2014/03/14

Approval:

- 1.Characteristics
- 2.Drawing
- 3.Reliability Test
- 4.Packing
- 5.History Change Record

Drawn by	Checked by	Approved by	Customer approved

BESTAR ACOUSTICS CO.,LTD

No.199 HuangHe West Road,New district,ChangZhou,JiangSu Province,P.R.China

Tel: +86 519 88222567 **Fax:** +86 519 88222551

E-mail:wu@be-star.com **<http://www.bestargroups.com>**

BLS114-2-32H51 LF

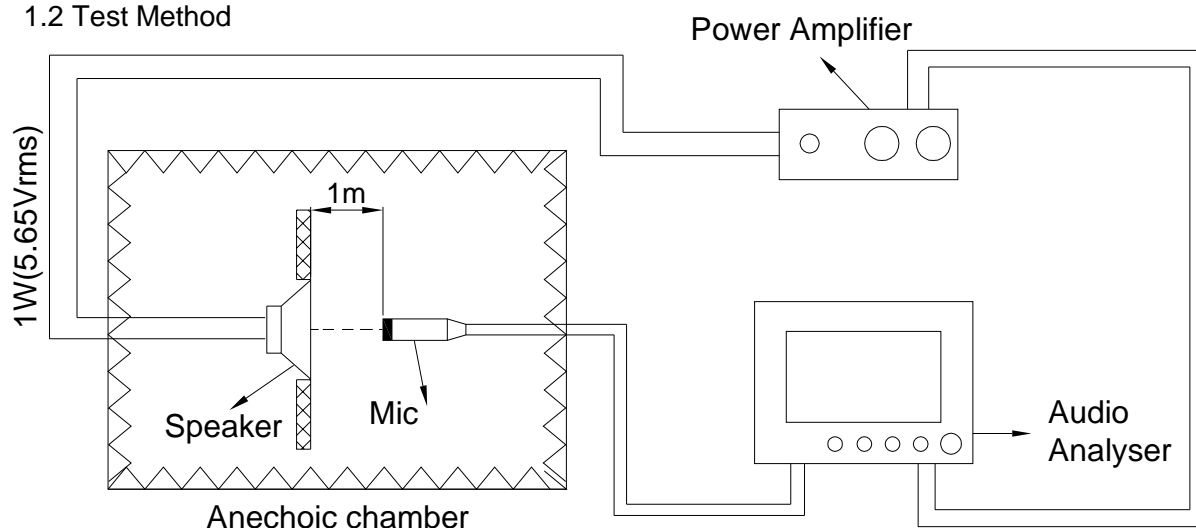


1.Characteristics

1.1 Electrical and Mechanical Characteristics

No.	Item	Specifications
1.	Size	Ø114x51mm
2.	Impedance at 300Hz	32±15% Ω
3.	Resonance frequency	100±20%Hz
4.	Operating frequency range	fo...13K Hz
5.	Rated input power	10W
6.	Maximum input power	20W
7.	Buzz & Rattle(at sine wave12.6V)	must be normal
8.	SPL (1W/1M/88± 3dB)	(at 400、500、600 700Hz average)
9.	THD (1W/1000Hz)	MAX 5%
10.	Polarity	Positive voltage to (+), the diaphragm move forward
11.	Magnet material	Ferrite
12.	Operating temperature	-25...+70°C

1.2 Test Method



				Date:	2014/03/14	BLS114-2-32H51 LF
				Drawn by:	汪凤声	
A	2014/03/14	汪凤声		Checked by:	魏春欢	Speaker
Rev.	Date	Drawn	Note	Approved by:	徐金国	
BeStar ACOUSTICS CO.,LTD						DRG NO: BS/TES01.1272A
www.bestargroups.com wu@be-star.com						Page:02 of 10

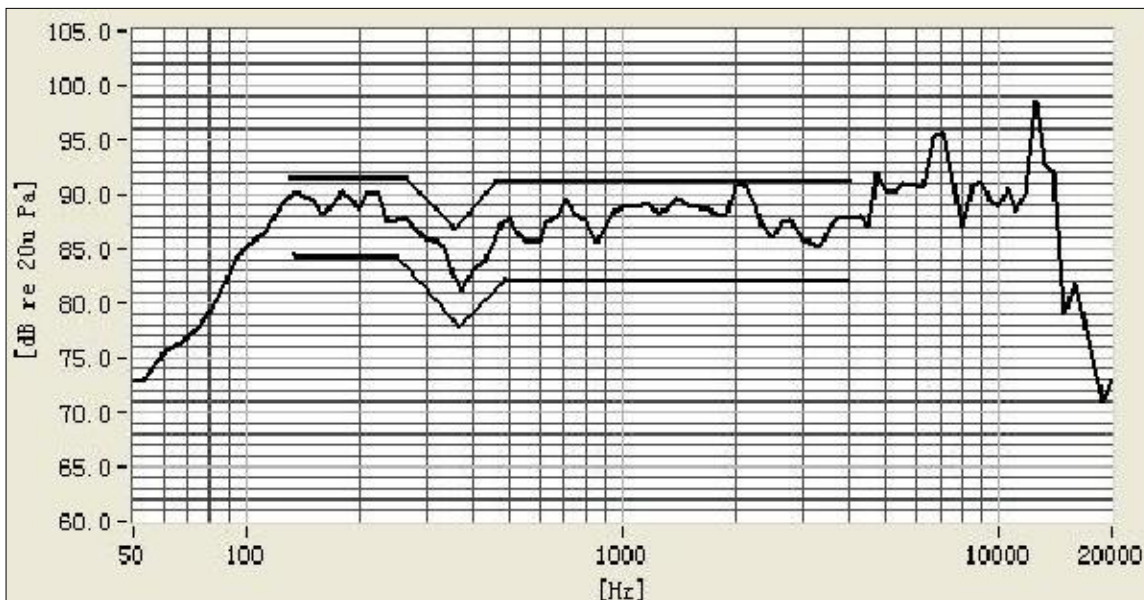
This print and information there in are proprietary to BeStar Acoustics Co., Ltd. and shall not be used in whole or in part without its written content

6

BLS114-2-32H51 LF

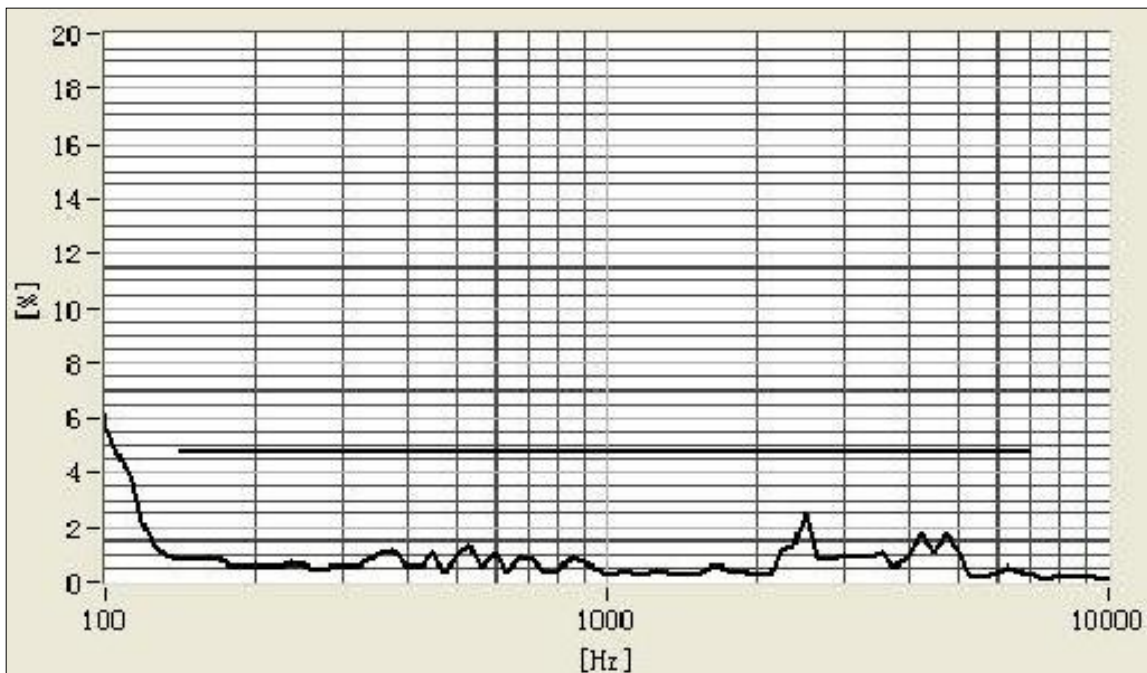
1.3 Frequency Response Curve (only for reference)

A: Frequency Response Magn 0 dB re 20.00 μ Pa/V 1/12Oct



1.4 Total Harmonic Distortion Curve (only for reference)

A: Frequency Response Magn 0 dB re 20.00 μ Pa/V 1/12Oct



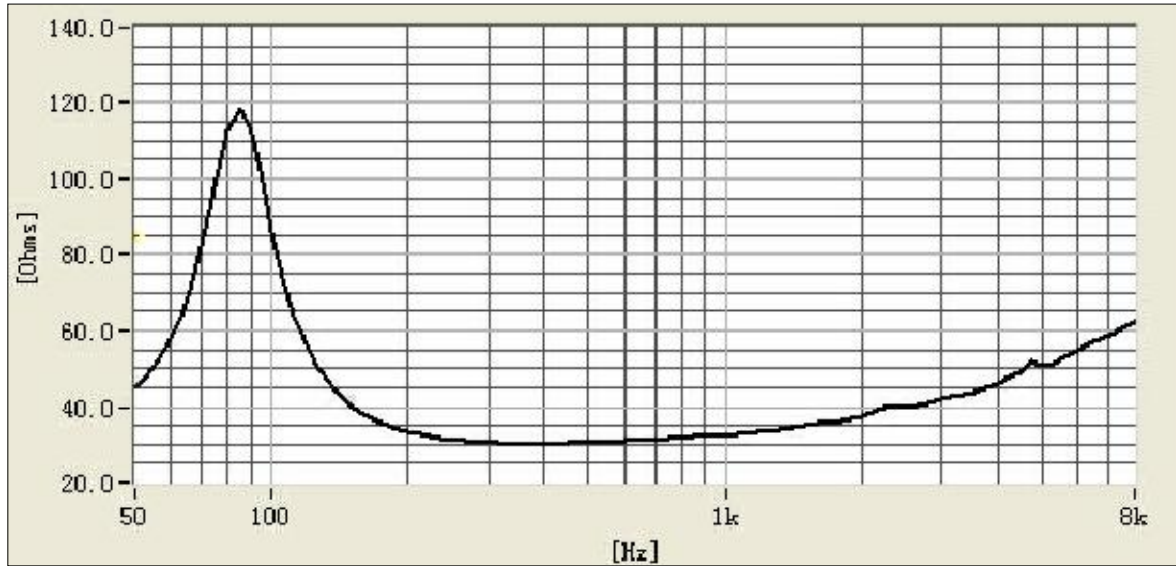
This print and information there in are proprietary to BeStar Acoustics Co., Ltd. and shall not be used in whole or in part without its written content

				Date:	2014/03/14	BLS114-2-32H51 LF	
				Drawn by:	汪凤声		
A	2014/03/14	汪凤声		Checked by:	魏春欢	Speaker	
Rev.	Date	Drawn	Note	Approved by:	徐金国		
BeStar ACOUSTICS CO.,LTD						DRG NO: BS/TES01.1272A	Page:03 of 10
www.bestargroups.com wu@be-star.com							

BLS114-2-32H51 LF

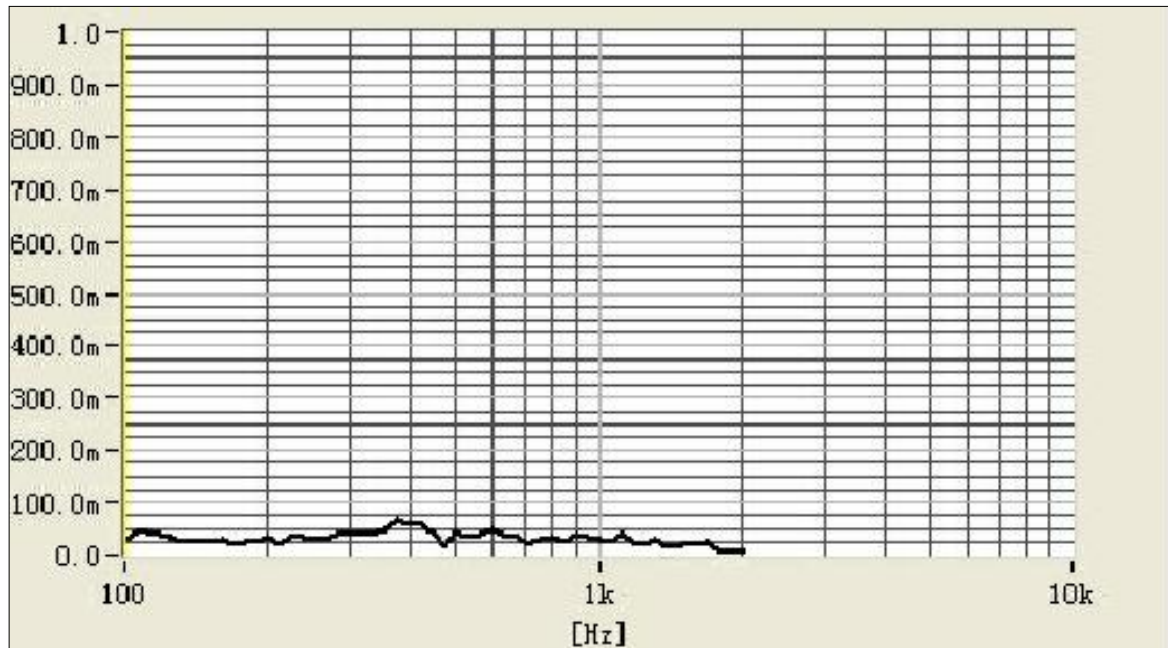
1.5 Impedance Response Curve (only for reference)

A: Frequency Response Magn 0 dB re 20.00 μ Pa/V 1/12Oct



1.6 Rub&Buzz -Active Curve(only for reference)

A: Frequency Response Magn 0 dB re 20.00 μ Pa/V 1/12Oct



This print and information there in are propriety to BeStar Acoustics Co., Ltd. and shall not be used in whole or in part without its written content

			Date:	2014/03/14	BLS114-2-32H51 LF	
			Drawn by:	汪风声		
A	2014/03/14	汪风声	Checked by:	魏春欢	Speaker	
Rev.	Date	Drawn	Approved by:	徐金国		
BeStar ACOUSTICS CO.,LTD					DRG NO: BS/TES01.1272A	Page:04 of 10
					www.bestargroups.com	wu@be-star.com

BLS114-2-32H51 LF

1.7 ★Thiele/Small parameters (only for reference)

FS	145.4983 Hz	VAS	1.3840 L	RE	32.0000 W
QMS	3.0510	QES	2.0380	QTS	1.2218
B _x	8.3745 T _{xm}	dBSPL	85.2279	SD	0.0064 m ²
CMS	0.2449 mm/N	MMS	4.8858 g	RMS	1.4640 VM
CAS	9.91E-0009 m ⁵ /N	MAS	120.72 kg/m ⁴	RAS	36173 WA
CMES	69.6642 mF	LCES	17.1757 mH	RES	47.9059 W
RAT	90326 WA	RMT	3.6556 VM	MMD	4.5986 g
ZMIN	31.0707 W	ZMAX	79.9059 W	ZAVG	43.8591 W
h ₀	0.2008 %	L1kHz	0.6353 mH	L10kHz	0.4602 mH

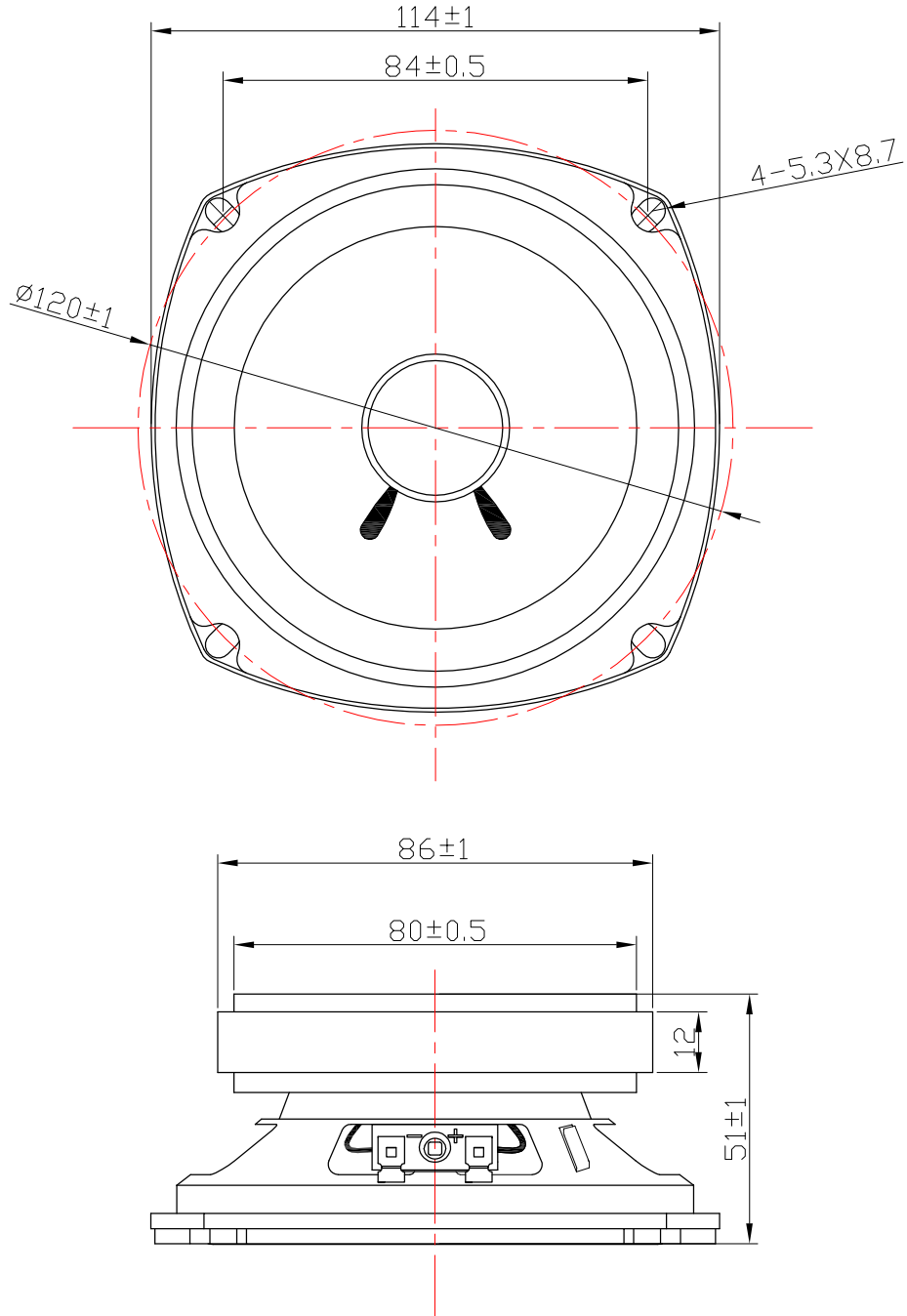
This print and information there in are proprietary to BeStar Acoustics Co., Ltd. and shall not be used in whole or in part without its written consent

				Date:	2014/03/14	BLS114-2-32H51 LF	
				Drawn by:	汪凤声		
A	2014/03/14	汪凤声		Checked by:	魏春欢	Speaker	
Rev.	Date	Drawn	Note	Approved by:	徐金国		
BeStar ACOUSTICS CO.,LTD						DRG NO: BS/TES01.1272A	Page:05 of 10
www.bestargroups.com wu@be-star.com							

BLS114-2-32H51 LF

2.Drawing

Unit:mm
Tolerance:±0.2

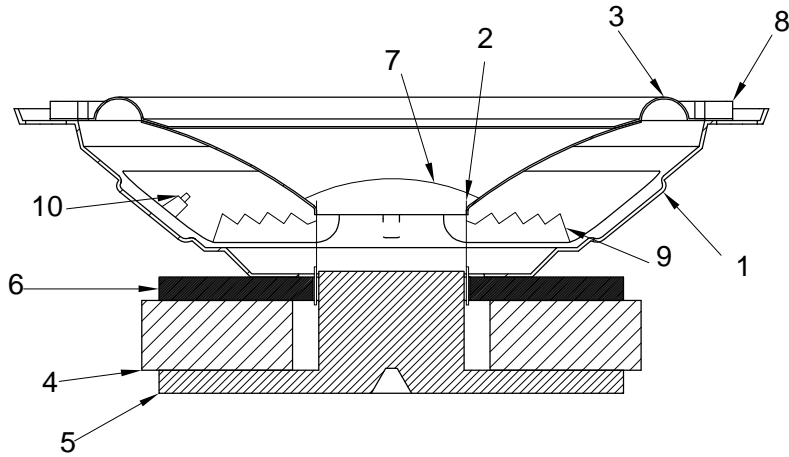


This print and information there in are proprietary to BeStar Acoustics Co., Ltd. and shall not be used in whole or in part without its written content

				Date:	2014/03/14	BLS114-2-32H51 LF	
				Drawn by:	汪风声		
A	2014/03/14	汪风声		Checked by:	魏春欢	Speaker	
Rev.	Date	Drawn	Note	Approved by:	徐金国		
BeStar ACOUSTICS CO.,LTD						DRG NO: BS/TES01.1272A	Page:06 of 10
www.bestargroups.com wu@be-star.com							

BLS114-2-32H51 LF

★ Permitted Force to Speaker



No	Description of the part
1	Frame
2	Coil
3	Cone
4	Magnet
5	Yoke
6	Plate
7	Dustproof cap
8	Gasket
9	Damper
10	Terminal

This print and information there in are proprietary to BeStar Acoustics Co., Ltd. and shall not be used in whole or in part without its written content

				Date:	2014/03/14	BLS114-2-32H51 LF	
				Drawn by:	汪风声		
A	2014/03/14	汪风声		Checked by:	魏春欢	Speaker	
Rev.	Date	Drawn	Note	Approved by:	徐金国		
BeStar ACOUSTICS CO.,LTD						DRG NO: BS/TES01.1272A	Page:07 of 10
www.bestargroups.com wu@be-star.com							

BLS114-2-32H51 LF

3. Reliability Test

3.1 Load Test

Power (Nom)
Duration

10W(white noise)
96hrs

3.2 High Temperature Test

Temperature
Duration

+70±2°C
96hrs

3.3 Low Temperature Test

Temperature
Duration

-25±2°C
96hrs

3.4 Damp Heat

Temperature
Relative Humidity
Duration

40±2°C
90%-95%RH
96hrs

3.5 Drop Test

Height
Drop face
Times

75cm
free falling on concrete floor
10 times

Notice:

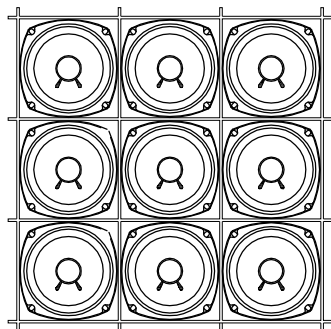
1. After test leave at room temperature for 1 hours, SPL shall not deviate by ±3dB from pre-test measurement, and meet above spec. item

This print and information there in are proprietary to BeStar Acoustics Co., Ltd. and shall not be used in whole or in part without its written consent

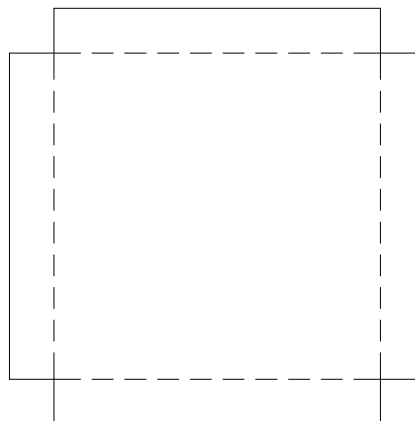
				Date:	2014/03/14	BLS114-2-32H51 LF	
				Drawn by:	汪凤声		
A	2014/03/14	汪凤声		Checked by:	魏春欢	Speaker	
Rev.	Date	Drawn	Note	Approved by:	徐金国		
BeStar ACOUSTICS CO.,LTD						DRG NO: BS/TES01.1272A	Page:08 of 10
www.bestargroups.com wu@be-star.com							

BLS114-2-32H51 LF

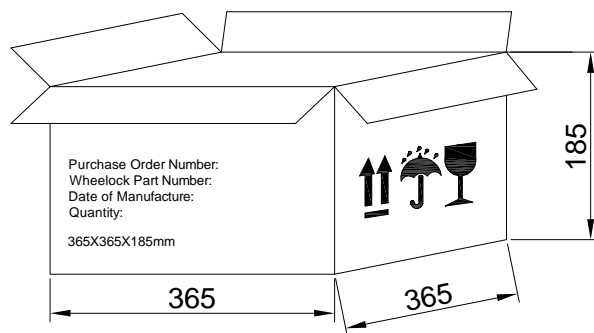
4. Packing



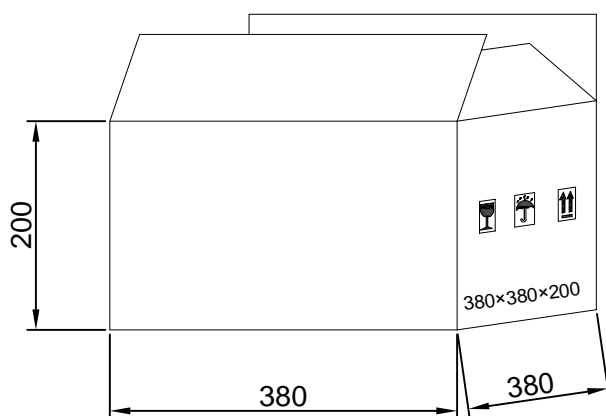
Part one



Part two



Remark:
9 pcs per tier
3 trays per carton
27 pcs per carton



Remark:
Carton box reinforcement

This print and information there in are proprietary to BeStar Acoustics Co., Ltd. and shall not be used in whole or in part without its written content

				Date:	2014/03/14	BLS114-2-32H51 LF	
				Drawn by:	汪风声		
A	2014/03/14	汪风声		Checked by:	魏春欢	Speaker	
Rev.	Date	Drawn	Note	Approved by:	徐金国		
BeStar ACOUSTICS CO.,LTD						DRG NO: BS/TES01.1272A	Page:09 of 10
www.bestargroups.com wu@be-star.com							

6 5 4 3 2 1

BLS114-2-32H51 LF

5. History change record

version No.	Change Items		Date	Drawn	Approved
	Before	After			
A			2014/03/14	汪风声	徐金国

This print and information there in are proprietary to BeStar Acoustics Co., Ltd.
and shall not be used in whole or in part without its written consent

A				Date:	2014/03/14	BLS114-2-32H51 LF	A
				Drawn by:	汪风声		
A	2014/03/14	汪风声		Checked by:	魏春欢	Speaker	
Rev.	Date	Drawn	Note	Approved by:	徐金国		
BeStar ACOUSTICS CO.,LTD						DRG NO: BS/TES01.1272A	Page:10 of 10
www.bestargroups.com wu@be-star.com							

6 5 4 3 2 1