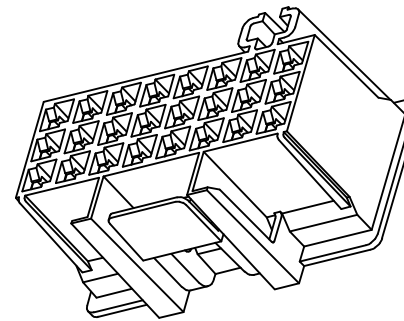
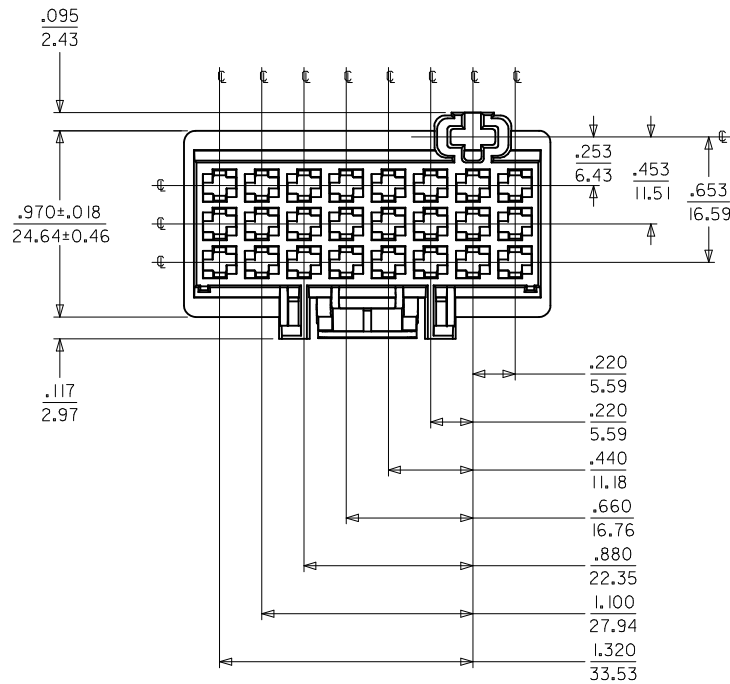
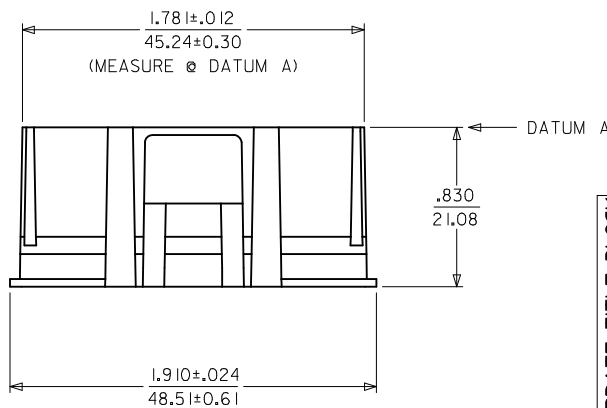
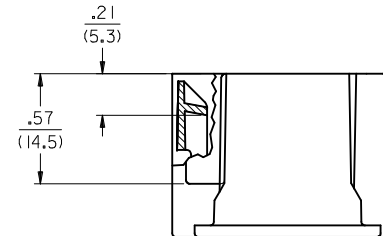


NOTES:

1. MATERIAL: NYLON PA66, UL94V-2, COLOR: NATURAL
2. FINISH: NOT APPLICABLE
3. PRODUCT SPECIFICATION: PSX-44441-9999
4. PACKAGING INFORMATION: PK-43275-002
5. USE TERMINALS: 43375-*.
6. SEE SMES-43275-0024 OR SMES-43275-9024 FOR THE DESCRIPTION OF THE MATING INTERFACE.
7. PARTS CONFORM TO CLASS 'B' REQUIREMENT OF COSMETIC SPECIFICATION PS-45499-002.



43275-1024



UPDATE TITLE BLOCK EC NO: UCP2007-2637 DRAWN/PRI/DOR 2008/06/18 CHKD: AEL/HAG 2008/06/18 APPR: FSM/LTH 2008/06/25	DESCRIPTION REV	QUALITY SYMBOLS ▽=0 ▽=0	GENERAL TOLERANCES (UNLESS SPECIFIED)		DIMENSION STYLE INCH ONLY		SCALE 2:1	DESIGN UNITS INCH	THIRD ANGLE PROJECTION	
			mm	INCH	DRAWN BY KBP	DATE 94/03/10	TITLE CONNECTOR HOUSING 24 CIRCUITS APPLIANCE TIMER - TPA	MATERIAL NO. 43275-1024		DOCUMENT NO. SD-43275-1024
H1			4 PLACES ± --- ± ---	3 PLACES ± --- ± .010	2 PLACES ± 0.25 ± .010	1 PLACE ± 0.25 ± ---	APPROVED BY RAS	DATE 94/03/10	MOLLEX MOLEX INCORPORATED	
DRAFT WHERE APPLICABLE MUST REMAIN WITHIN DIMENSIONS			ANGULAR ±1/2°		SIZE C		THIS DRAWING CONTAINS INFORMATION THAT IS PROPRIETARY TO MOLEX INCORPORATED AND SHOULD NOT BE USED WITHOUT WRITTEN PERMISSION			