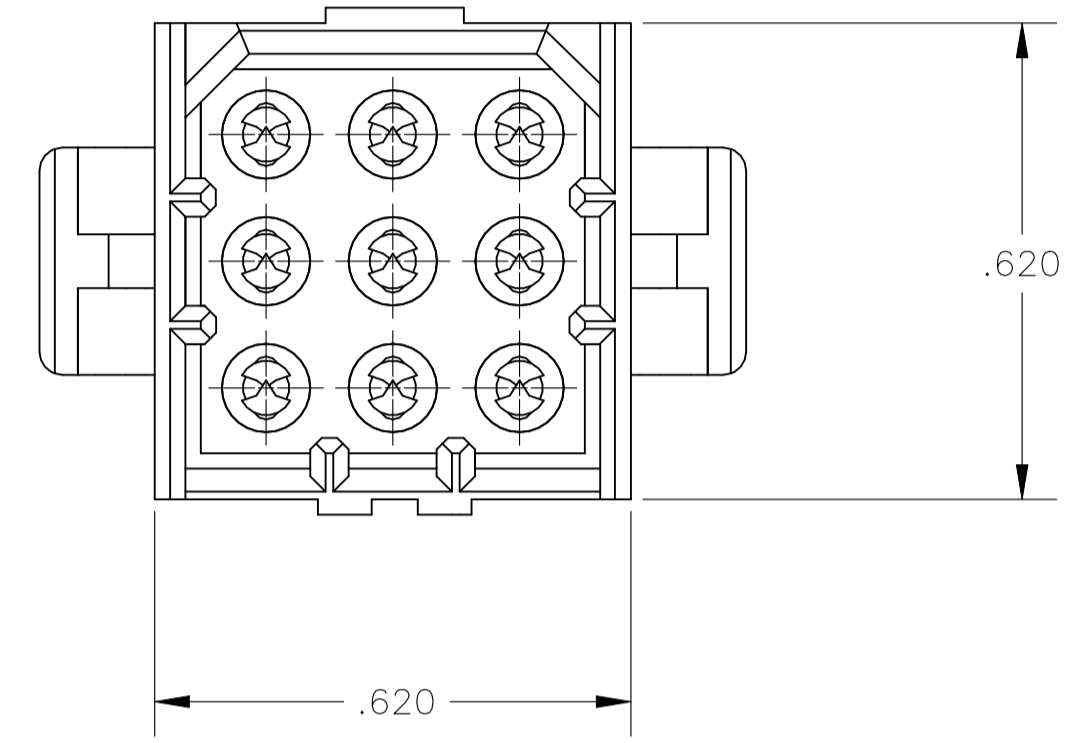
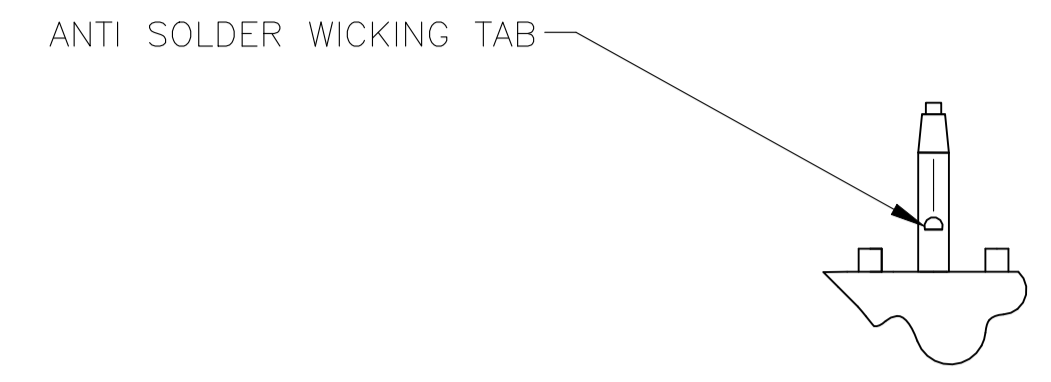
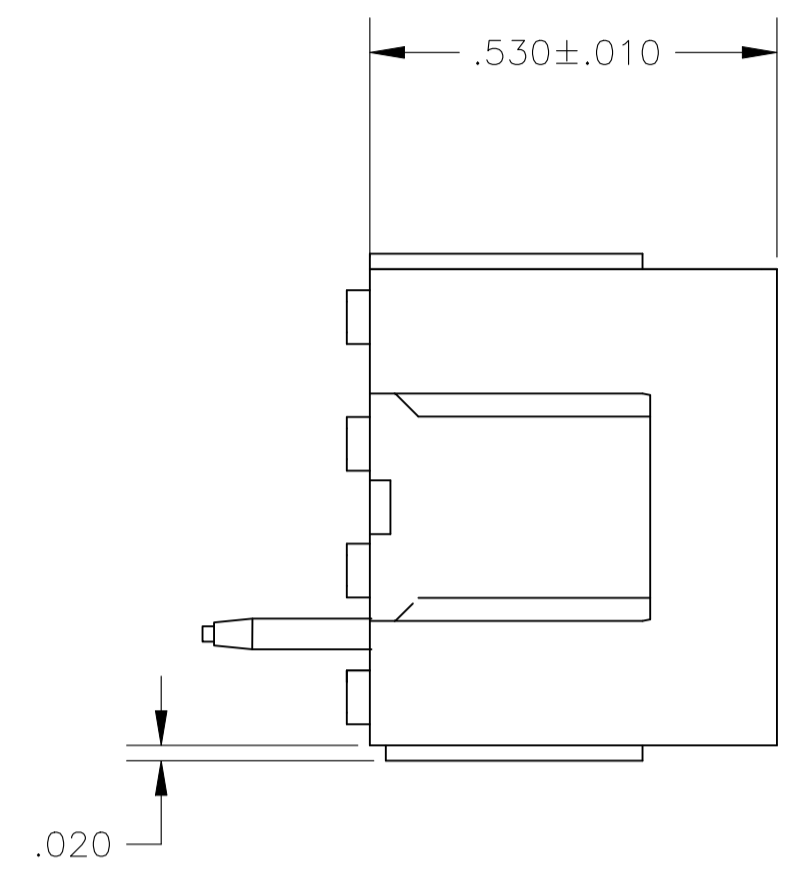
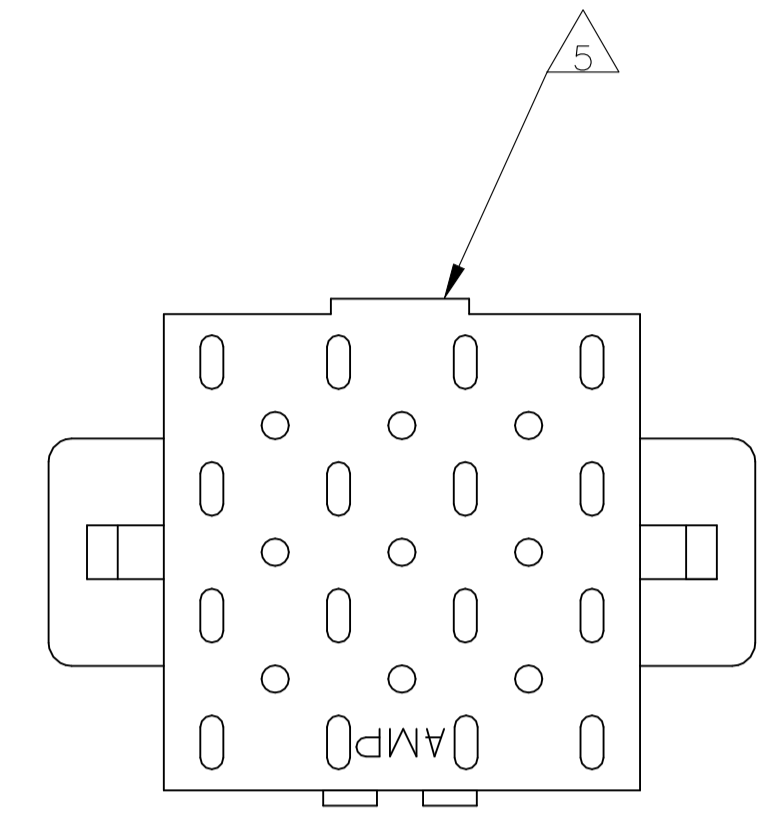
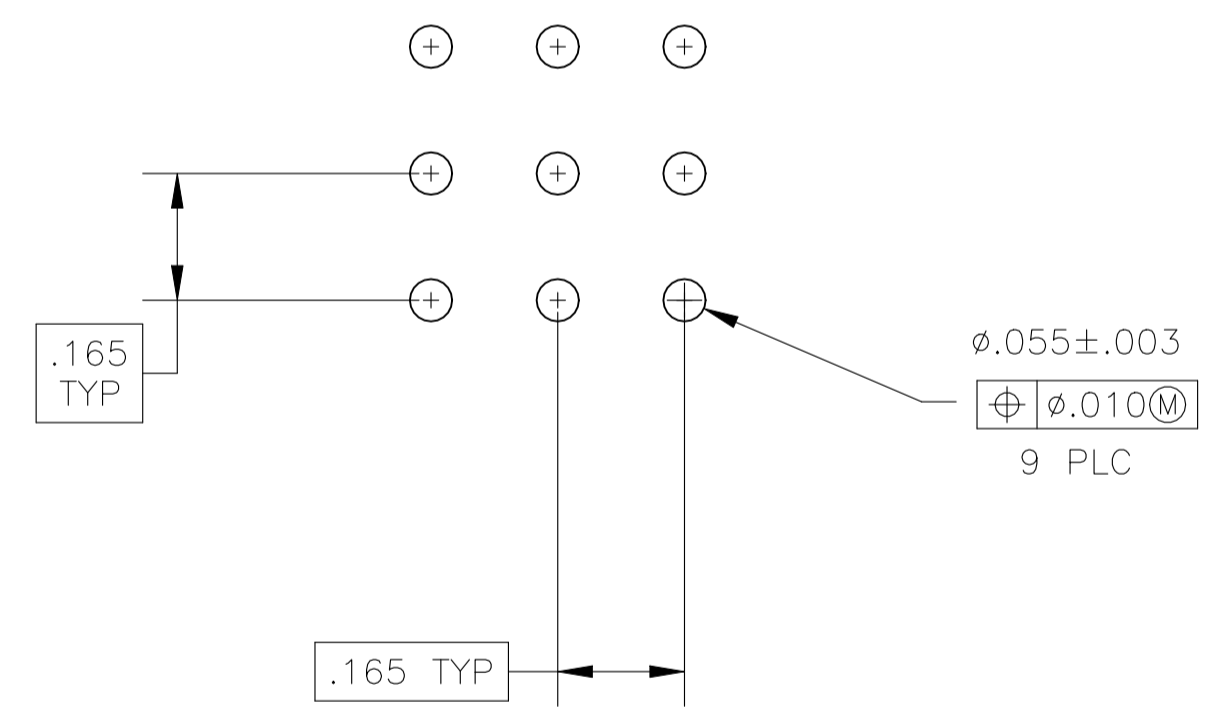


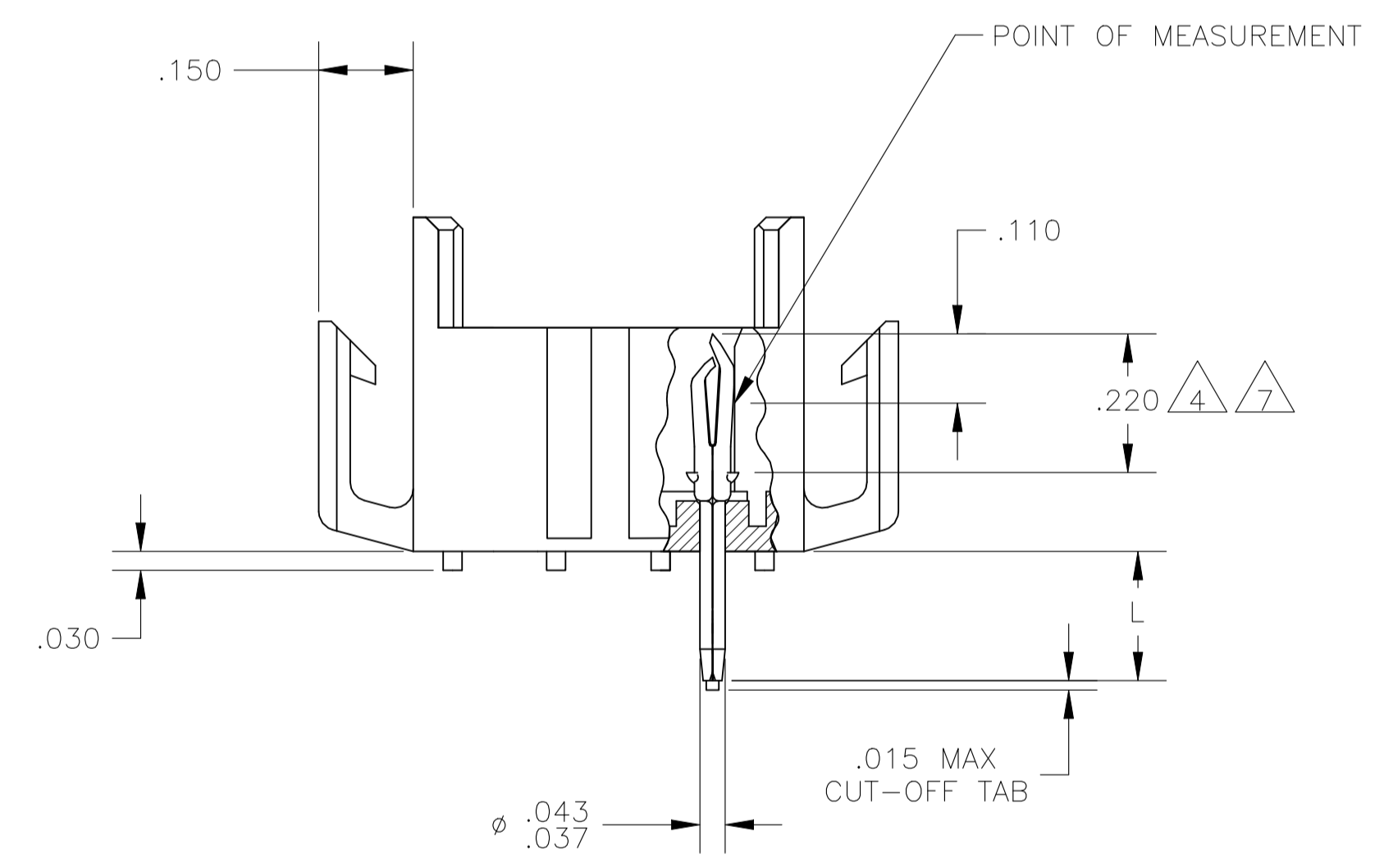
REVISIONS					
P	LTR	DESCRIPTION	DATE	DN	APVD
S		REVISED PER ECO-21-006875	19OCT2021	RK	MZ



1. FITS SOCKET HOUSING 640521.
2. ASSEMBLY CONFORMS TO AMP SOLDERABILITY SPEC. 109-11-3.
3. FOR USE WITH .063 THICK P.C. BOARD.
4. CONTACT IS PLATED OVERALL WITH .000050 NICKEL, THEN .000030 GOLD OVER CONTACT LENGTH INDICATED AND .000150 MATTE TIN-LEAD ON SOLDER TAIL END.
5. UL AND CSA LOGO LOCATED ON THIS SURFACE.
6. FOR USE WITH .120 THICK P.C. BOARD.
7. CONTACT IS PLATED OVERALL WITH .000050 NICKEL, THEN .000030 GOLD OVER CONTACT LENGTH INDICATED AND .000150 MATTE TIN ON SOLDER TAIL END.
8. HOUSING MATERIAL: PA66, BLACK, UL 94 V-0 RATED
CONTACT MATERIAL: PHOSPHOR BRONZE



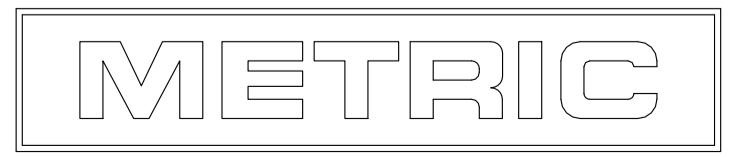
RECOMMENDED P.C. BOARD LAYOUT



IN	MM	IN	MM	IN	MM	IN	MM
.008	0.20	.037	0.94	.150	3.81	.620	15.75
.005	0.13	.030	0.76	.110	2.79	.530	13.46
.003	0.08	.020	0.51	.063	1.60	.220	5.59
.000050	0.00127	.015	0.38	.055	1.40	.210	5.33
.000030	0.00076	.010	0.25	.043	1.09	.165	4.19

CONVERSION TABLE

.210	6	GOLD	7	2-640501-4
.150	3	GOLD	7	2-640501-2
.210	6	GOLD	4	640501-4
.210	6	PRE-TIN		640501-3
.150	3	GOLD	4	640501-2
.150	3	PRE-TIN		640501-1
"L"	+0.10 -.020	PIN FINISH		PART NUMBER



THIS DRAWING IS A CONTROLLED DOCUMENT.

DIMENSIONS:	TOLERANCES UNLESS OTHERWISE SPECIFIED:	DIN J. HUFFMAN 28 APR 98	APVD T. REDDICK 28 APR 98	NAME
INCHES:	0. PLC ± -	CHK R. SWING 28 APR 98	PRODUCT SPEC	TE Connectivity
	1. PLC ± -		APPLICATION SPEC	HEADER ASSEMBLY, PIN, 9 POSITION MR.
	2. PLC ± -		WEIGHT	
	3. PLC ± .005		SIZE	A1
	4. PLC ± -		CAGE CODE	00779
	ANGLES ± 0° 30'		DRAWING NO	640501
MATERIAL	FINISH SEE FINISH		RESTRICTED TO	
			CUSTOMER DRAWING	SCALE 4:1 SHEET 1 of 1 REV S