

MODEL NUMBER
TRM-2055-M0-SMA-02

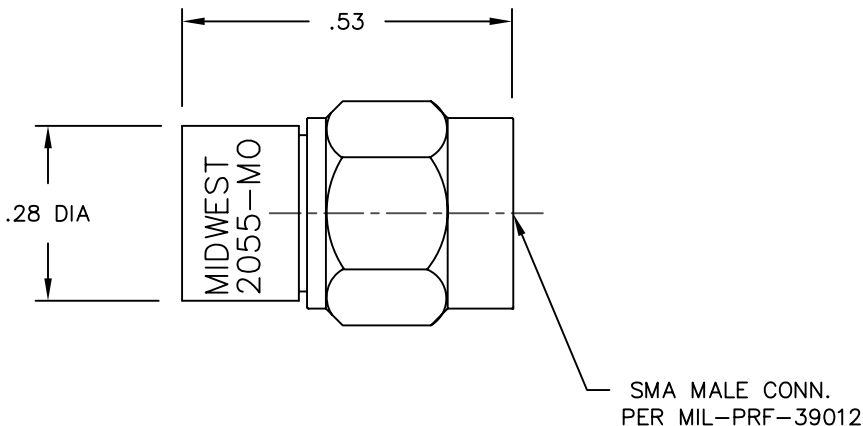
NOTES:

1.0 ELECTRICAL SPECIFICATIONS:

- 1.1 FREQUENCY RANGE: DC to 18.0 GHz
- 1.2 MAXIMUM INPUT POWER: 2 WATT AVG. @ +25°C
DERATED LINEARLY TO 1 WATT @ +125°C
- 1.3 TEMPERATURE RANGE:
OPERATING: -65°C to +125°C
STORAGE: -65°C to +125°C
- 1.4 IMPEDANCE: 50 OHMS
- 1.5 VSWR: 1.05 +0.008f(GHz) MAX.
- 1.6 WEIGHT: 0.12 Oz. (3.4 GRAMS)

2.0 MARKING:

MARK UNIT AS SHOWN
(REF.: INK-02639-27-01)



DWG NO. WAS: 02361-01-00

| REV. | DESCRIPTION | DATE |
|------|------------------|----------|
| - | RELEASED | 11/21/89 |
| A | ECR 6545 | 6/29/89 |
| B | ECR 6942 | 11/16/89 |
| BT | REDRAW ON CAD | 9/3/91 |
| C | ECN 11825 | 5/18/92 |
| CI | ADDED TITLEBLOCK | 10/27/05 |

| | | | | |
|--|--|--------------------------------|---|--------------|
| <p>NOTICE: The information contained in this drawing is proprietary and must not be used without the permission of Emerson Network Power.</p> <p>UNLESS OTHERWISE NOTED DIMENSIONS ARE IN INCHES AND TOLERANCES ARE: 3 PLACE DECIMALS ±.005 2 PLACE DECIMALS ±.02 FRACTIONS ±1/64 PARALLELITY: T.I.R. _____ FLATNESS: T.I.R. _____ CONCENTRICITY: T.I.R. _____ ANGLES AND PERPENDICULARITY: ±1'</p> | CAGE CODE 34078 | MIDWEST MICROWAVE | | |
| | <p>EMERSON Network Power Connectivity Solutions</p> | | TITLE TERMINATION OUTLINE DRAWING | |
| | DRAWN/DATE A.BEATTY 9/4/91 | ENG./DATE G.KOZAK 9/5/91 | DRAWING NUMBER TRM-2055-M0-SMA-02-01 | REV. C1 |
| | CHECKED/DATE C.RICKARD 9/5/91 | APPROVED/DATE | SCALE: 5=1 | SHEET 1 of 1 |