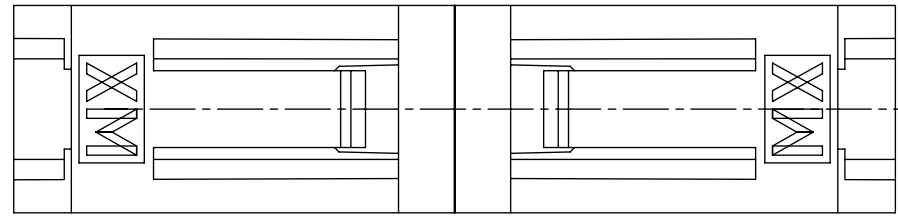
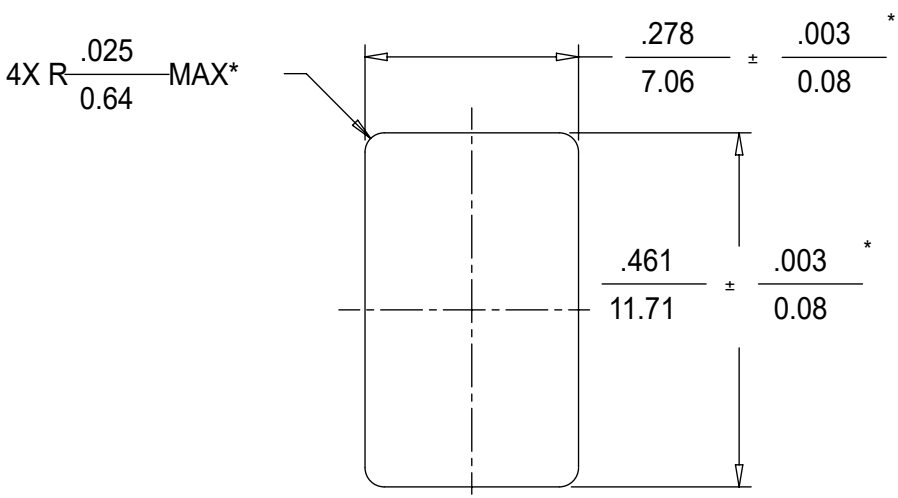
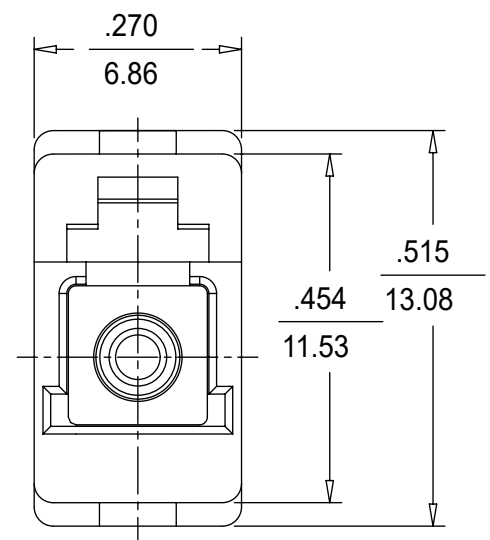
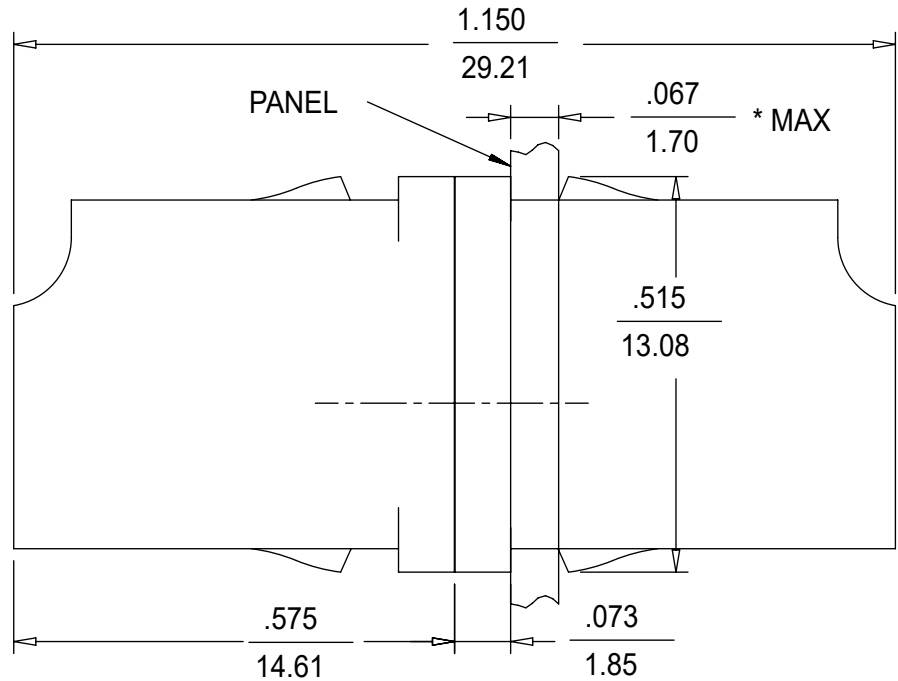


ADAPTER P/N	COLOR	SPLIT SLEEVE MATERIAL
106124-1100	BLUE	ZIRCONIA - ZrO ₂
106124-0110	BEIGE	
106124-1150	GREEN	
106124-0100	BLUE	
106124-1110	BEIGE	
106124-1130	BLACK	



(DUST CAPS ARE NOT SHOWN)



NOTES:
1. ALL DIMENSIONS ARE FOR REFERENCE ONLY, EXCEPT WHEN MARKED WITH (*).

RECOMMENDED PANEL CUTOUT
PANEL THICKNESS $\frac{.067}{1.70}$ MAX.

FUNCTIONAL SYMBOLS $\sqrt{A} = 0$ $\sqrt{E} = 0$ $\sqrt{V} = 0$	THIS DRAWING CONTAINS INFORMATION THAT IS PROPRIETARY TO MOLEX ELECTRONIC TECHNOLOGIES, LLC AND SHOULD NOT BE USED WITHOUT WRITTEN PERMISSION		CURRENT REV DESC:		 LC ADAPTER
	DIMENSION UNITS	SCALE	EC NO: 652962		
	INCH/MM	1:1	DRWN: SKRISHNAMU01 2021/05/28		
	GENERAL TOLERANCES (UNLESS SPECIFIED)		CHK'D: WCHEN 2021/08/24		
ANGULAR TOL ± 0.5°		APPR: WCHEN 2021/08/24		PRODUCT CUSTOMER DRAWING	
DIVISIONAL SYMBOLS 4 PLACES ± 3 PLACES ± 2 PLACES ± 1 PLACE ± 0 PLACES ±	INITIAL REVISION:		DOCUMENT NUMBER		DOC TYPE
	DRWN: PGIBLIN 2005/10/25		SD-106124-X1X0		PSD
	APPR: IGUMIN 2005/10/26		MATERIAL NUMBER		DOC PART
	DRAFT WHERE APPLICABLE MUST REMAIN WITHIN DIMENSIONS		SEE TABLE		REVISION
THIRD ANGLE PROJECTION		DRAWING	SERIES	CUSTOMER	SHEET NUMBER
		B-SIZE	106124	GENERAL MARKET	1 OF 1