

1

2

3

4

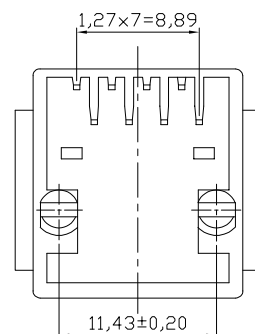
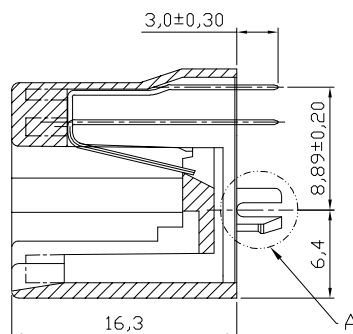
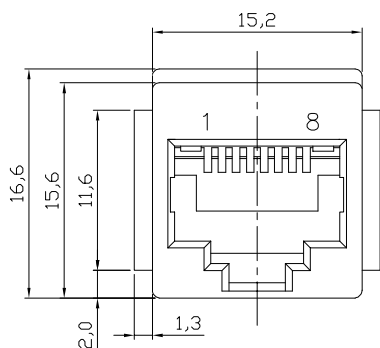
5

6

7

A

A



B

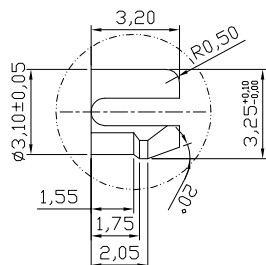
B

C

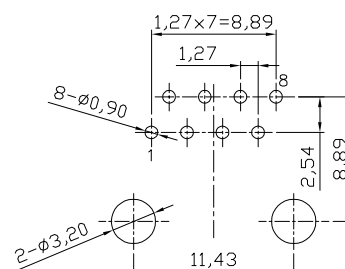
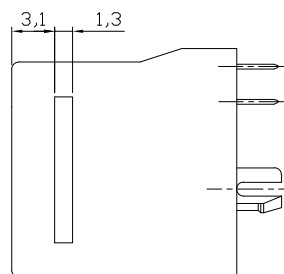
C

D

D



Detail A
2:1



PC Board Layout
Component Side Shown

NOTES:

Mechanical:

1. Housing material : Glass Filled Polyester UL94V-0 , Color: Black
2. Contact material: Phosphor Bronze t=0.35mm
- ① 3. Contact plating: Contact area---see order code Tails---100~200u" Tin plated over 30~80u" Nickel
4. Operating Life: 750 Cycles min.
5. PCB Retention Pre-solder: 1 LB min.
6. PCB Retention Post-solder: 10 LBS min.

Electrical:

1. Voltage Rating: 125VAC.
2. Current Rating: 1.5AMP.
3. Contact Resistance: 30mΩ max.
4. Insulation Resistance: 1000MΩ min. @ 500 VDC
5. Dielectric Strength: 1000 VAC 60Hz, 1 min.

Environmental:

1. Storage: -40°C To +85°C
 2. Operation: -40°C~+85°C
 3. Wave Soldering Temp: 200~220°C(5~10S)
- Packing: 100pcs/Tray, 3200pcs/Carton

Order code: A-2014-2-X

- Contact plating: ①
- 1: 15u" gold over 30~80u" Nickel
 - 2: 30u" gold over 30~80u" Nickel
 - 3: 50u" gold over 50~80u" Nickel
 - 4: 6u" gold over 30~80u" Nickel

Frequency	Near-End Cross Talk dB, MIN.	Return Loss dB, MIN.
1.0 MHZ	65.0	23.0
4.0 MHZ	65.0	23.0
8.0 MHZ	62.0	23.0
10.0 MHZ	60.0	23.0
16.0 MHZ	56.0	23.0
20.0 MHZ	54.0	23.0
25.0 MHZ	52.0	14.0
31.25 MHZ	50.0	14.0
62.5 MHZ	44.0	14.0
100.0 MHZ	40.0	14.0

RoHS compliant
Unit:mm

Scale	Free					Date	Name	Customer-No.
TOLERANCE						Drawn	27.05.2013	Amy
X.X	±0.20					Approved	21.08.2015	Amy
X.XX	±0.15							
X.XXX	±0.10							
DIM	TOL	①	Update the detail plating information	21.08.2015	Amy			
		②	Drawn	27.05.2013	Amy			
Angle	±5°	Id.	Modification	Date	Name	Replace		

ASSMANN WSW-No. A-2014-2-X

Drawing-No. ASS 5705 CO rev01

G

G

H

H

1

2

3

4

5

6

7