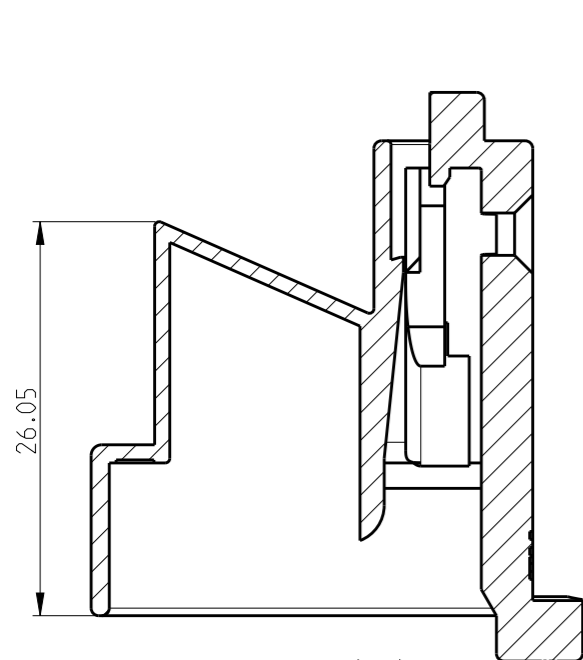
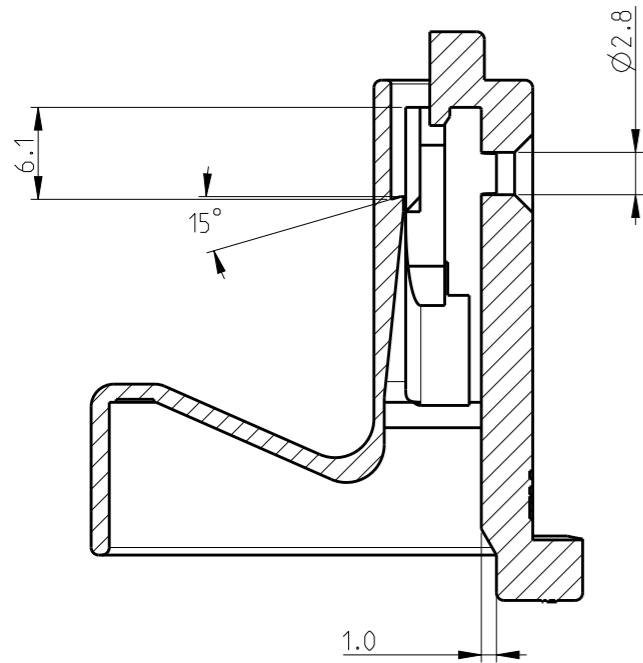


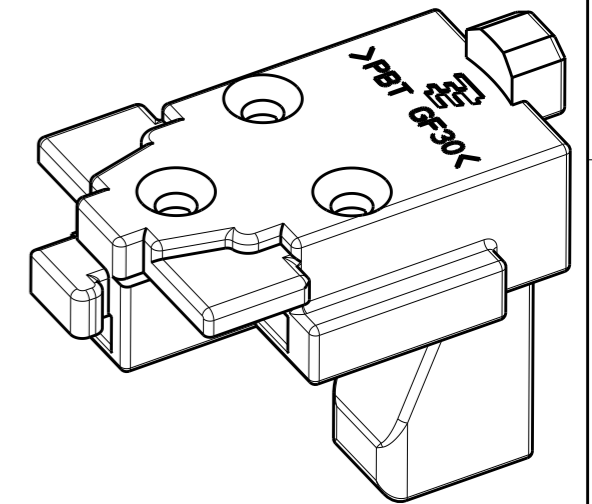
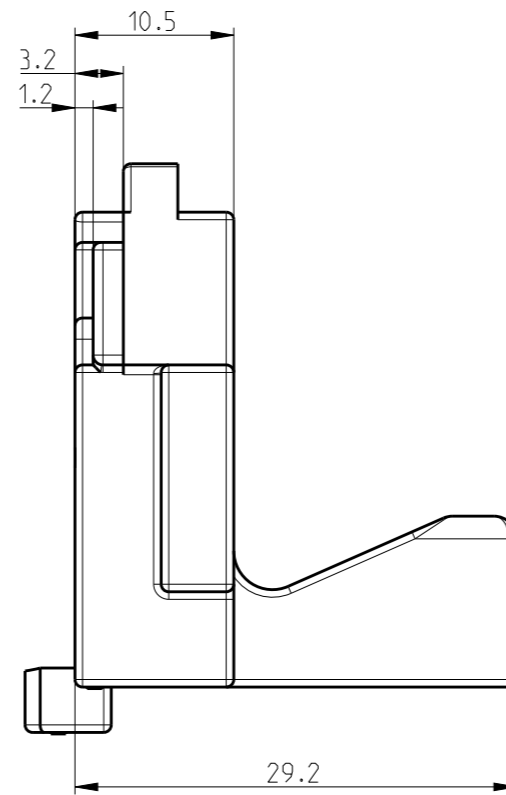
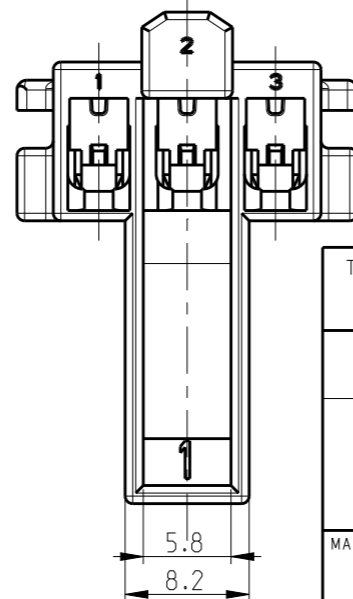
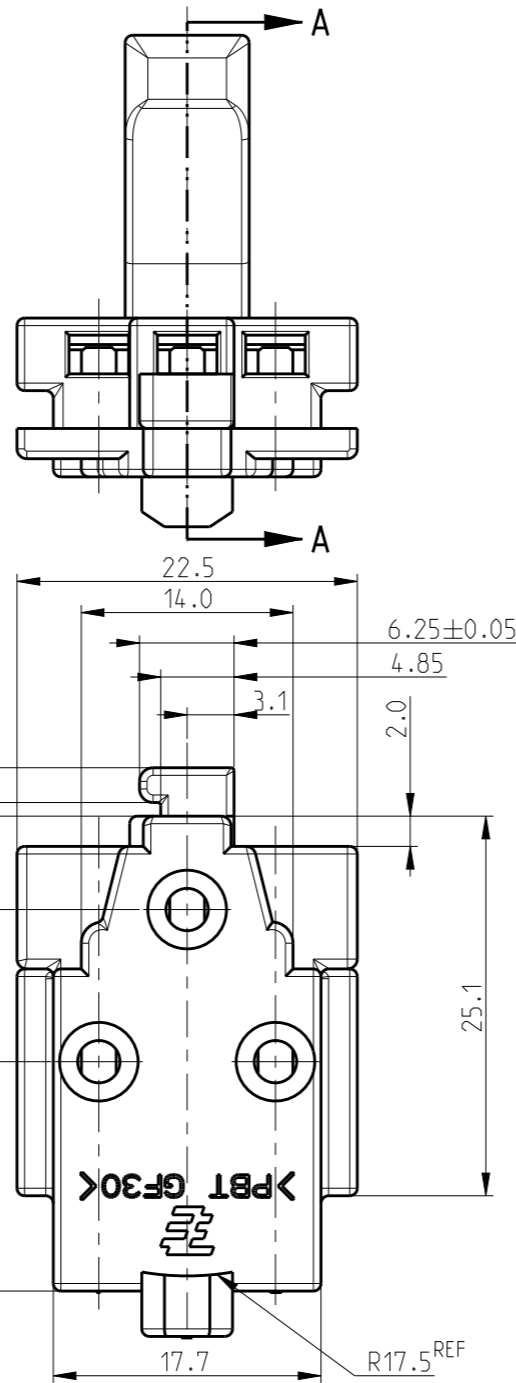
P	LTR	DESCRIPTION	DATE	DWN	APVD
	F2	NEW PN 3-2005820-9 RELEASE	03MAR2020	SE	PKS



SECTION A-A
1-2005820-1 ONLY



SECTION A-A



NOTES:
1. GENERAL TOLERANCE: ± 0.2 , $\pm 2^\circ$

2. MATERIAL: PBT GF30, UL94V-0

3. MATERIAL: PBT GF30, UL94V-0, GW T

COLOR	MATERIAL	DESCRIPTION	P/N
BLACK	3	CLUSTER BLOCK 3P HSG WITH TPA (GW T)	3-2005820-9
		CLUSTER BLOCK 3P CLIP HSG WITH TPA (GW T)	2-2005820-9
GRAY	2	CLUSTER BLOCK 3P CLIP HSG	1-2005820-1 2005820-1

THIS DRAWING IS A CONTROLLED DOCUMENT.

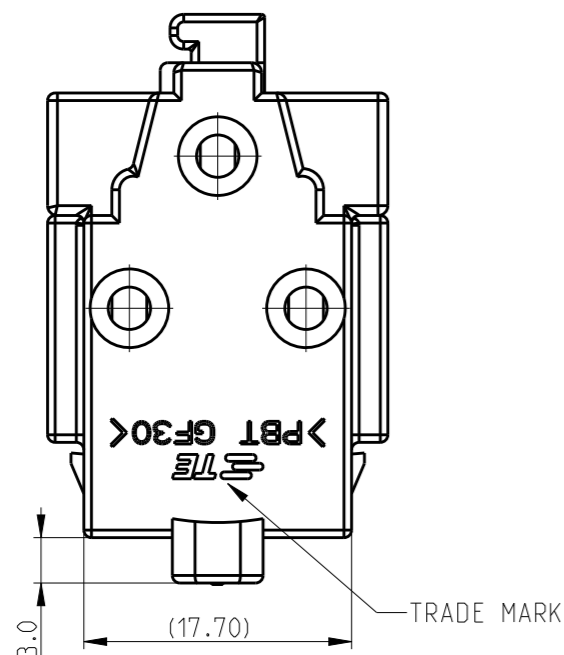
DIMENSIONS: mm		TOLERANCES UNLESS OTHERWISE SPECIFIED:	
		0 PLC	\pm
		1 PLC	\pm
		2 PLC	\pm
		3 PLC	\pm
		4 PLC	\pm
MATERIAL SEE NOTE		ANGLES	\pm
		FINISH	\pm

DWN	SE JUNG
CHK	BH CHO
APVD	BW KANG
PRODUCT SPEC	108-61156
APPLICATION SPEC	114-5235
WEIGHT	
CUSTOMER DRAWING	

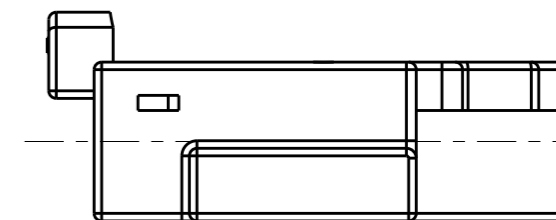
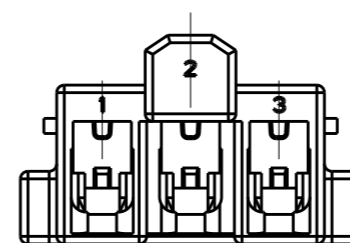
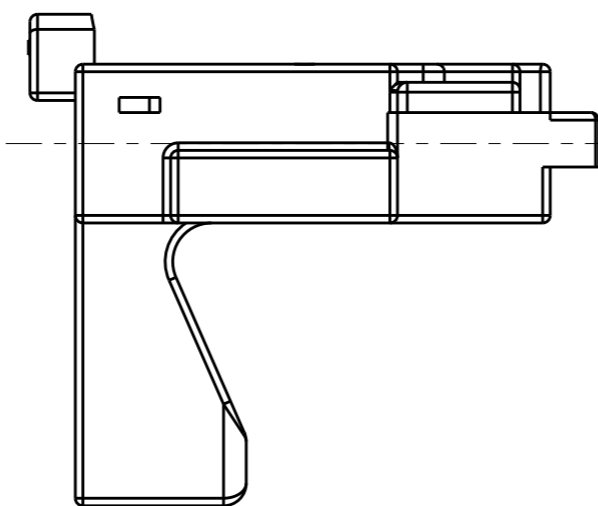
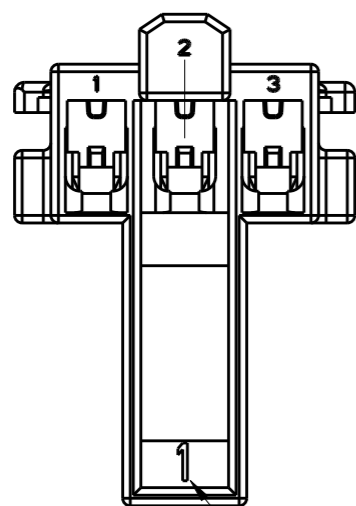
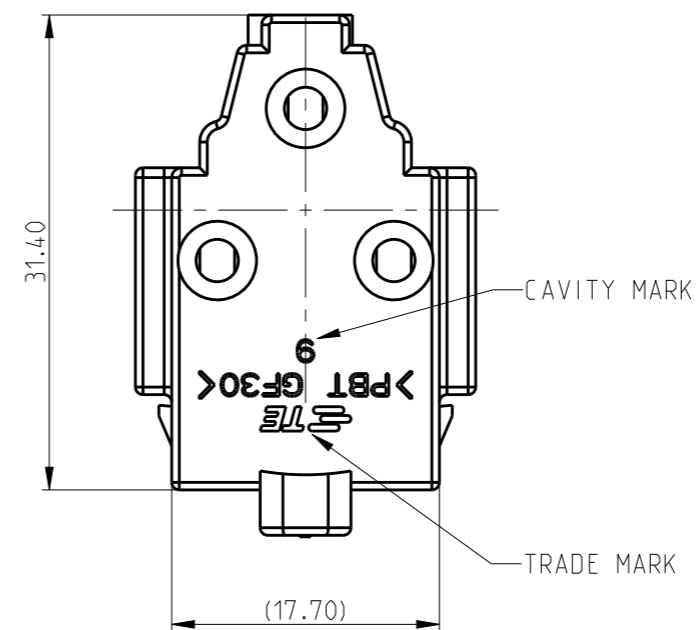
		NAME	
		CLUSTER BLOCK 3P CLIP HSG	
SIZE	CAGE CODE	DRAWING NO	RESTRICTED TO
A3	00779	C-2005820	
SCALE		SHEET	REV
1:1		1 OF 3	F2

P	LTR	DESCRIPTION	DATE	DWN	APVD
-		SEE SHEET 1	-	-	-


2-2005820-9 ONLY



3-2005820-9 ONLY



CAVITY MARK

THIS DRAWING IS A CONTROLLED DOCUMENT.		DWN SE JUNG	 TE Connectivity	
DIMENSIONS: mm		CHK BH CHO		
TOLERANCES UNLESS OTHERWISE SPECIFIED:		APVD BW KANG	NAME CLUSTER BLOCK 3P CLIP HSG	
0 PLC ± 1 PLC ± 2 PLC ± 3 PLC ± 4 PLC ± ANGLES ±		PRODUCT SPEC 108-61156	SIZE A3	
MATERIAL SEE NOTE		APPLICATION SPEC 114-5235	CAGE CODE 00779	DRAWING NO C-2005820
FINISH		WEIGHT	RESTRICTED TO	
CUSTOMER DRAWING			SCALE 1:1	SHEET 2 OF 3
			REV F2	

P	LTR	DESCRIPTION	DATE	DWN	APVD
-		SEE SHEET 1	-	-	-

CODING TABLE

NAME P/N	STANDARD TYPE 2005820-1	BOSS TYPE 1-2005820-1	TPA TYPE 2-2005820-9	NO GRIP TYPE 3-2005820-9
VIEW				

THIS DRAWING IS A CONTROLLED DOCUMENT.		DWN SE JUNG	TE Connectivity	
DIMENSIONS: mm		CHK BH CHO		
		APVD BW KANG	NAME CLUSTER BLOCK 3P CLIP HSG	
		PRODUCT SPEC 108-61156	SIZE A3	CAGE CODE 00779
MATERIAL SEE NOTE		APPLICATION SPEC 114-5235	RESTRICTED TO	
		WEIGHT		
		CUSTOMER DRAWING	SCALE 2:1	SHEET 3 OF 3
			REV F2	