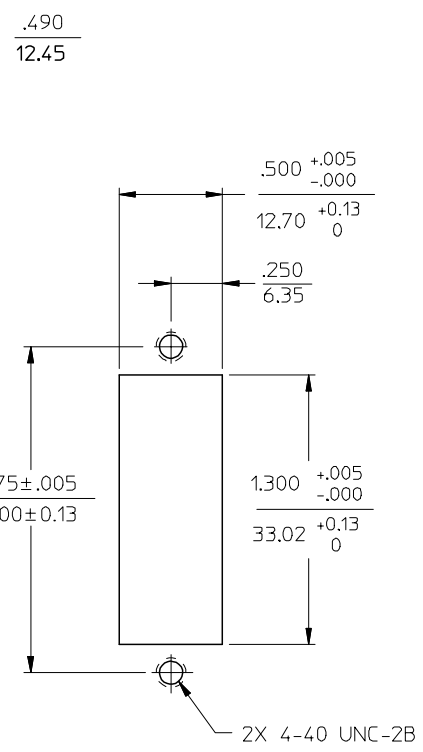
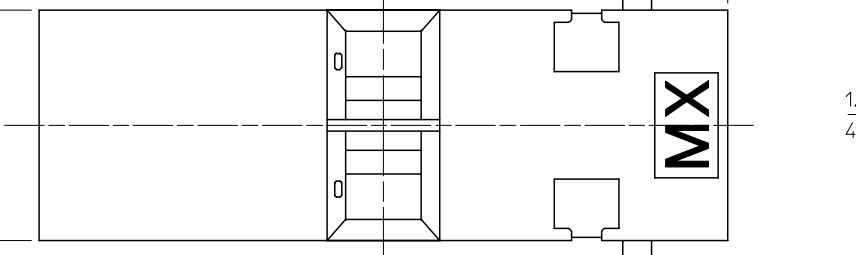
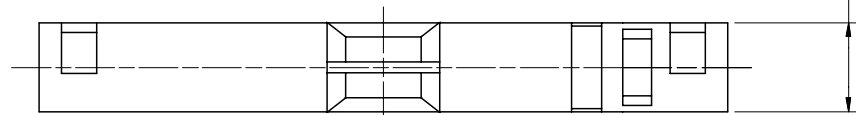
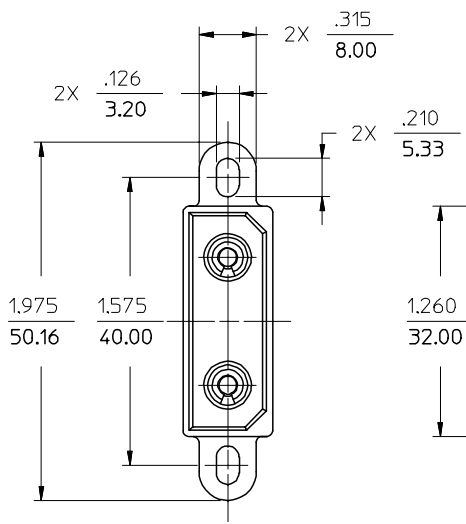
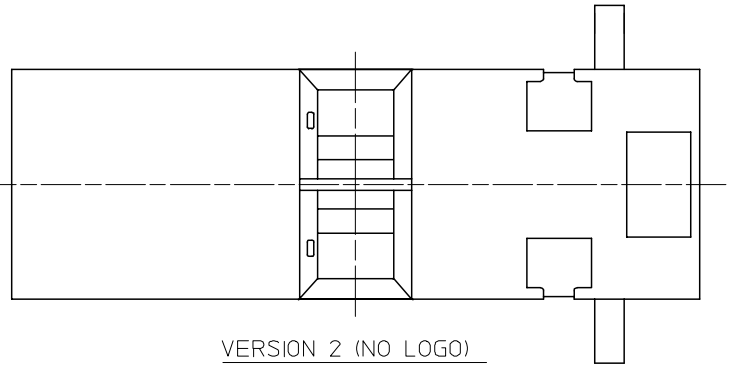


P/N OF ADAPTER	MATERIAL OF SLEEVE	VERSION
106140-2300	CERAMIC	1
106142-2300	PHOS. BRONZE	
106197-0700	CERAMIC	2



VERSION 1 (LOGO)

RECOMMENDED MOUNTING PATTERN



VERSION 2 (NO LOGO)

NOTES :  
1. ALL DIMENSIONS ARE FOR REFERENCE ONLY.

ENTER DESCRIPTION EC NO: MF2006-0767 DRW: DBAL TRUKONI S2006/05/22 CHKD: 2006/05/22 APPR: IGUMIN 2006/05/24	QUALITY SYMBOLS ▽=0 ▽=0	GENERAL TOLERANCES (UNLESS SPECIFIED)		DIMENSION STYLE	SCALE	DESIGN UNITS	THIRD ANGLE PROJECTION	
				IN/MM	1.5:1	INCH		
		4 PLACES	±----	±----	DRAWN BY	DATE	TITLE	
		3 PLACES	±----	±----	PGIBL IN	2005/10/26	ESCON-ESCON ADAPTER	
2 PLACES	±----	±----	CHECKED BY	DATE	APPROVED BY			
1 PLACE	±----	±----	APPROVED BY		DATE	MOLEX INCORPORATED		
ANGULAR ±1/2°		DRAFT WHERE APPLICABLE MUST REMAIN WITHIN DIMENSIONS		MATERIAL NO.	DOCUMENT NO.	SHEET NO.		
				SEE TABLE	SD-1061YY-YY00	1 OF 01		
				THIS DRAWING CONTAINS INFORMATION THAT IS PROPRIETARY TO MOLEX INCORPORATED AND SHOULD NOT BE USED WITHOUT WRITTEN PERMISSION				