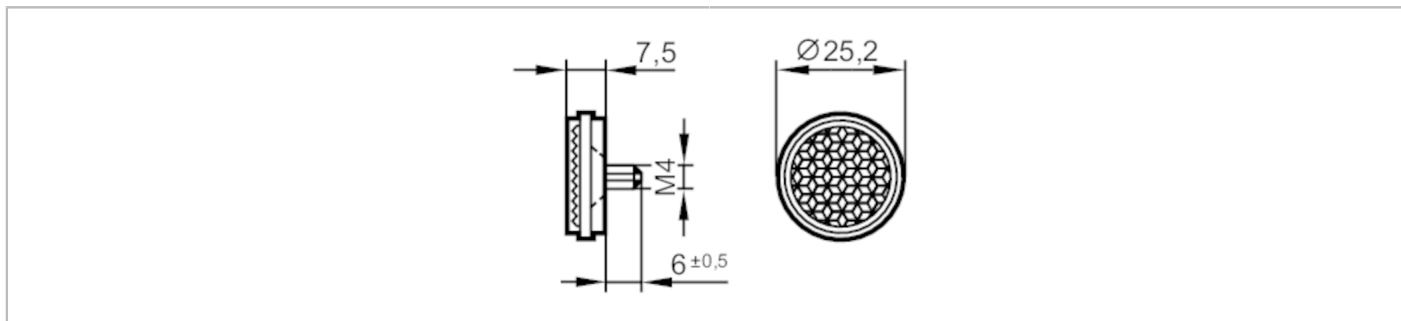


E20953



Reflector for retro-reflective sensors

REFLECTOR TS-25



Application

Design round, for red light and infrared light retro-reflective sensors

Operating conditions

Ambient temperature [°C] -10...60

Mechanical data

Weight [g]	5
Dimensions [mm]	Ø 25.2 / L = 7.5
Reflector surface [mm]	Ø 23
Materials	plastics

Remarks

Pack quantity 1 pcs.