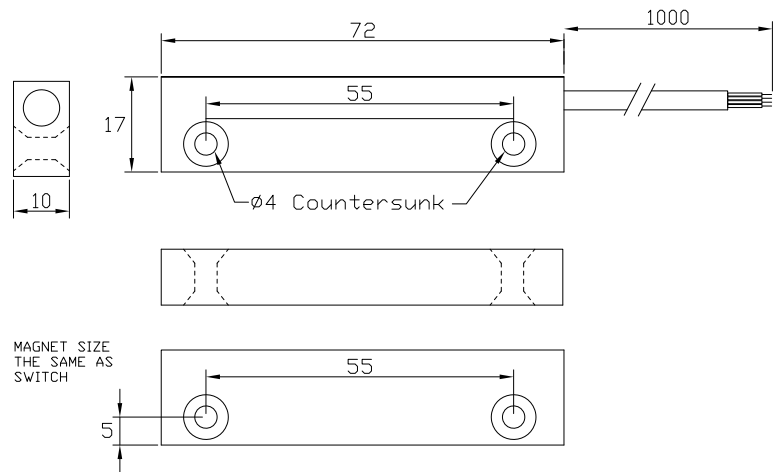


PICTURE	DIMENSIONS
---------	------------



✓ RoHS Compliant



Drawings not to scale
 All dimensions in mm nominal

SPECIFICATION

Contact Form / Style	Normally Open + Supervisory loop	
Grade	2	
Switching Voltage	Max Volts AC/DC	50
Switching Current	Max Amps	0.5
Carry Current	Max Amps	0.8
Switching Capacity	Max W/VA	10
Insulation Resistance	Max MOhms	100
Contact Resistance	Max mOhm's	120
Operating Temperature	Celsius	- 40° to 85°
Case Material	Aluminium	
Operating Distance	Millimetres	30

Applications Include	Options
----------------------	---------

- Alarm Systems.
- Appliance switching.
- Production Automation.
- Safety Door Guards.

- Armoured cable type available.
- Normally closed and Change over types available.
- Custom cable types, cable lengths, connectors or crimp terminals.
- If you do not see what you need, just ask, as there is a strong possibility we can do it !

Did you know we also sell?



Rev. No.	Revision Note	Date	Signature
1	Datasheet	01-07-15	ML



As part of the company policy of continued product improvement, specifications may change without notice. Our sales office will be pleased to help you with the latest information on this product range and the details of our full design and manufacturing service. All products are supplied to our standard conditions of sale unless otherwise agreed in writing.

Phone : +44 (0)1255 862236

www.comus-intl.com

Fax: +44 (0)1255 862014