

Style

M12 Plug
3 pin
A-coding

Ratings

Voltage: 250 V
Current: 4 A

Operating Temperature Range

-40 ~ 85 °C

Materials

- ① Insulator: TPU, black
- ② Pin: C3604 brass, gold plated
- ③ Shell: C3604 brass, nickel plated

Electrical Requirements

Dielectric strength: 1 min @ 500 Vac
Insulation resistance: 100 MΩ @ 500 Vdc
Contact resistance: 10 mΩ or less

Mechanical Requirements

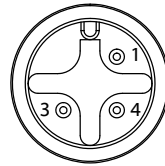
Life cycle: 500 mating cycles minimum

Environmental Requirements

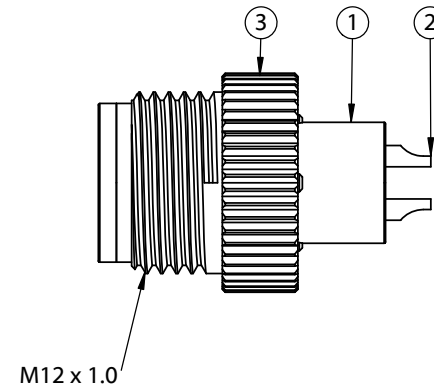
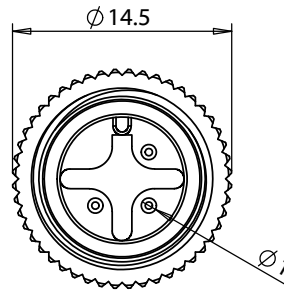
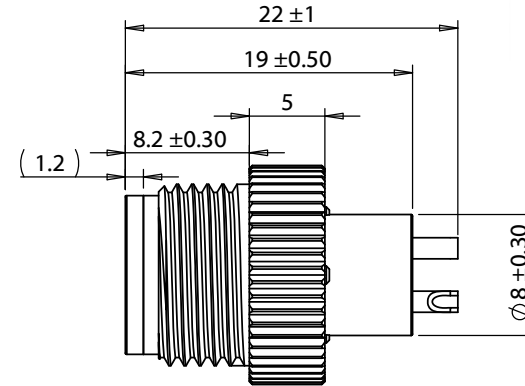
Salt spray test: 35 °C, relative humidity 90-95%, 5% NaCl mist for 48 hrs. Wash parts after test. Maintain mechanical requirements and a contact resistance of less than 10 mΩ.
Waterproof: IP67

Assembly Info

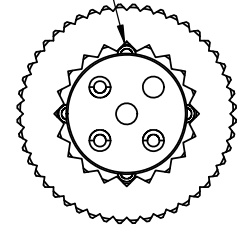
Wire gauge: 22 AWG max




Front View
Not to Scale



Spin-locking feature
Slide shell to unlock/lock



| | | | | | |
|-----------|----------|-----------------|--|--|---|
| Revision: | Date: | Description: | Prepared: | Notes: | TENSILITY tel 1.541.323.3228 800 877.670.7118 fax 1.541.323.4202 web tensility.com |
| A | 8/4/2020 | Initial release | Verified: | RoHS compliant Function test: no open, no short circuit, no intermittent | |
| | | | Dimensions are in millimeters. Tolerances: X: ± 0.3 mm X.X: ± 0.1 mm X.XX: ± 0.05 mm | Description: Connector, 3 pin M12 A-code plug, 12xL22mm, gold plated, molding style, solder cup, IP67 | Size: A Part number: 50-00972 |
| | | | | | Scale: 2:1  Sheet 1 of 1 |