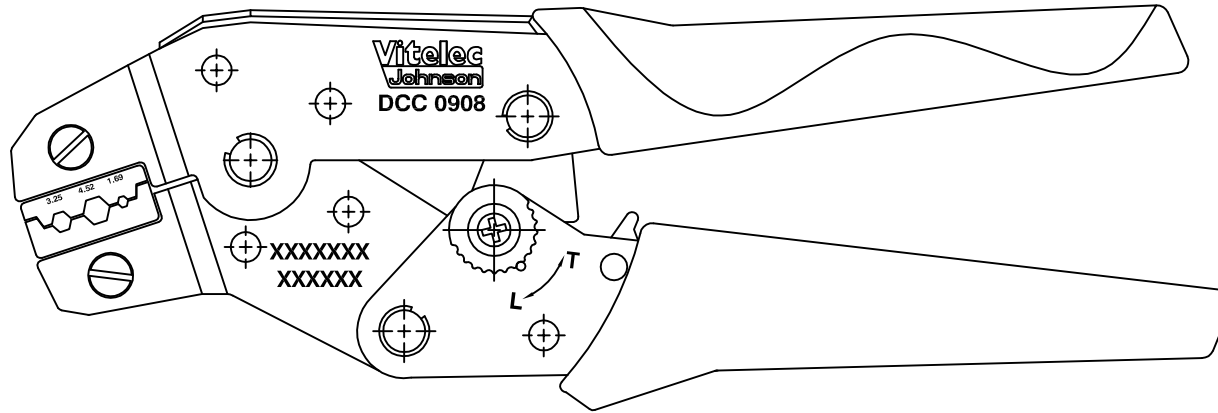
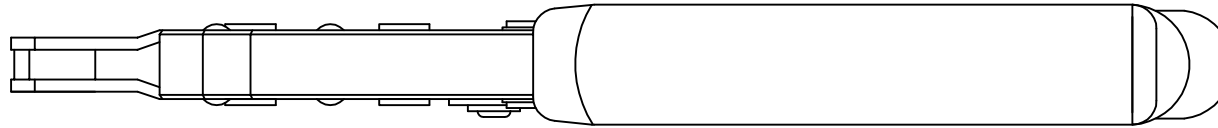


	HEX SIZE
1	3.25±0.05
2	4.52±0.05
3	1.69±0.03



**For compatibility see: Compatibility Reference Chart**

CAD Issue	SN	2	27 May 02
First Issue	AT	1	08 July 96
DESCRIPTION OF REVISION	APPVD	ISS	DATE



**Cinch Connectivity Solutions**  
 7-13 Russell Way,  
 Widford Industrial Estate,  
 Chelmsford, Essex,  
 CM1 3AA, UK.  
 Tel: +44 (0) 1245 359515  
 Fax: +44 (0) 1245 358938

SCALE: Not To Scale

DIMENSIONS: mm

TOLERANCES:  
 ± 0.2mm unless  
 otherwise stated

DRAWN BY:

S Nash

CHECKED BY:

S Nash

APPROVED BY:

G Dalton

DATE:

27 May 02

TITLE:

**Crimp Tool**

PART NUMBER:

**DCC0908**

PAGE: 1 of 1