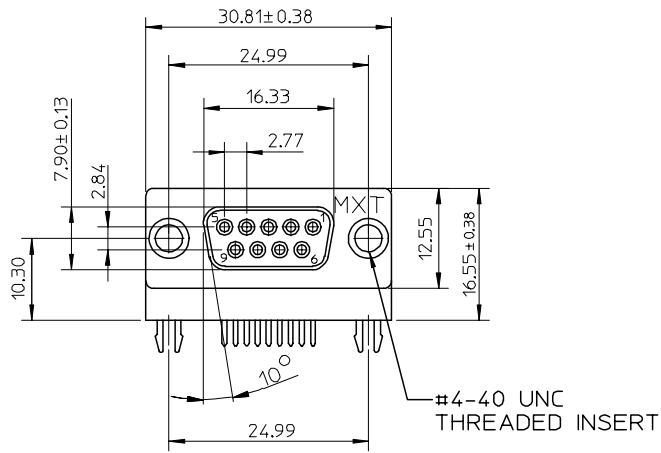


10 9 8 7 6 5 4 3 2 1



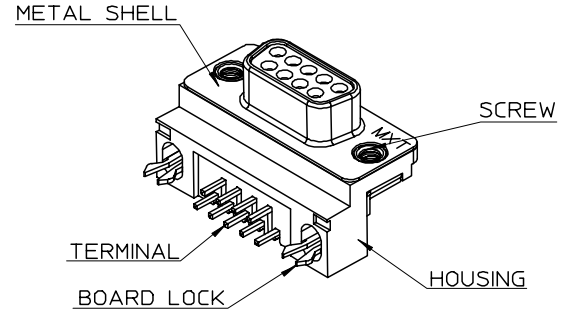
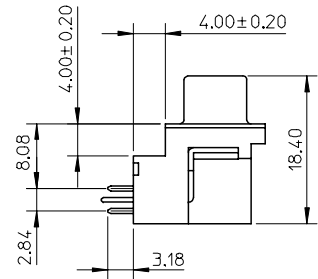
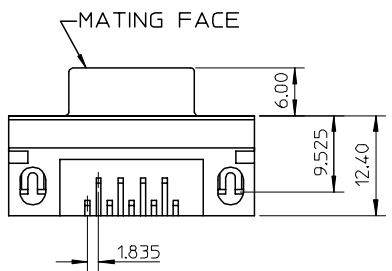
NOTE:
 1.MATERIAL:
 HOUSING: POLYBUTYLENE TEREPHTHALATE, GLASS FIBER FILLED, UL94-V0, COLOR:BLACK.
 TERMINAL: PHOSPHOR BRONZE.
 METAL SHELL: SPCC.
 BOARD LOCK: BRASS.
 SCREW: BRASS.
 2.PLATING:
 TERMINAL:
 CONTACT AREA: GOLD PLATING,THICKNESS=1~3 MICROINCH.
 SOLDER TAIL: TIN PLATING, THICKNESS=100 MICROINCH MIN/2.54 MICROMETER MIN.
 UNDER PLATE: NICKEL PLATING.
 METAL SHELL:TIN PLATING,THICKNESS=100 MICROINCH MIN/2.54 MICROMETER MIN.
 UNDER PLATE: COPPER PLATING,THICKNESS=50 MICROINCH MIN/1.27 MICROMETER MIN.
 BOARD LOCK: TIN PLATING,THICKNESS=50 MICROINCH MIN/1.27 MICROMETER MIN.
 SCREW: NICKEL PLATING.
 3.RECOMMENDED PCB THICKNESS: 1.60+/-0.05mm.
 4.PRODUCT SPECIFICATION; REFER TO PS-67356-004.
 5.TEST SUMMARY: REFER TO TS-67356-004.
 6.PACKAGING SPECIFICATION; REFER TO PK-67356-001.
 7.LEAD FREE AND ROHS COMPLIANT PRODUCT.

PART NUMBER LEGEND :

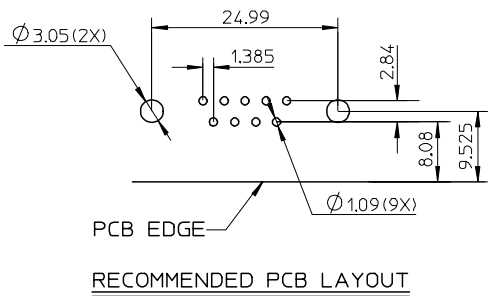
67356 - 9 * 6 3

SCREW OPTION :

- 0. 2 PCS #4-40 HEX INNER THREAD SCREW ATTACHED.
- 1. WITHOUT SCREW ATTACHED.

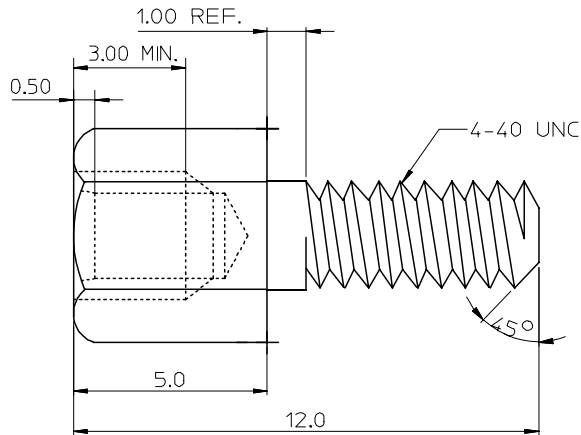
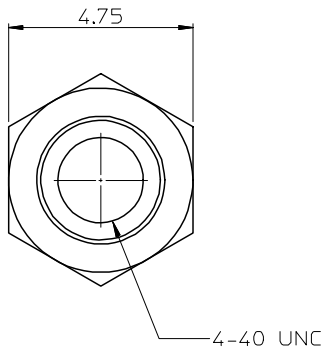


P / N	SCREW
67356-9063	WITH
67356-9163	WITHOUT



PER PDR CM0101 EC NO: SH2007-0151 DRWN:ALLIN 2006/09/27 CHKD: 2006/09/28 APPR:WMSCHANG 2006/09/28	QUALITY SYMBOLS ▽=0 ▽=0	GENERAL TOLERANCES (UNLESS SPECIFIED) mm INCH 4 PLACES ± --- ± --- 3 PLACES ± --- ± --- 2 PLACES ± 0.25 ± --- 1 PLACE ± 0.25 ± --- ANGULAR ± 3 °	DIMENSION STYLE MM ONLY DRAWN BY DATE LINDA 2006/02/23 CHECKED BY DATE ROGER TSAI 2006/02/23 APPROVED BY DATE ALLEN LIN 2006/02/23	SCALE 1.5:1	DESIGN UNITS METRIC	THIRD ANGLE PROJECTION
	DRAFT WHERE APPLICABLE MUST REMAIN WITHIN DIMENSIONS					
	MATERIAL NO. 67356-9063			TITLE 9 CKT FEMALE D-SUB NON-SHIELDING CONNECTOR		
	MOLEX INCORPORATED			DOCUMENT NO. SD-67356-005		SHEET NO. 1 OF 2

9 8 7 6 5 4 3 2 1



NOTES:

- 1.MATERIAL:BRASS
- 2.FINISH: NICKEL(Ni)
- 3.PACKAGING SPECIFICATION:REFER TO PK-67356-002
- 4.LEAD FREE AND ROHS COMPLIANT PRODUCT
- 5.TORQUE SPECIFICATION:2.0 Kg-cm MAXIMUM

SEE SHEET 1 EC NO: SH2007-0151 DRWN:ALLIN CHKD: APPR:WMSCHANG	2006/09/27 2006/09/28 2006/09/28	DESCRIPTION REV	QUALITY SYMBOLS ▽=0 ◻=0	GENERAL TOLERANCES (UNLESS SPECIFIED)	DIMENSION STYLE MM ONLY	SCALE 1:1	DESIGN UNITS METRIC	THIRD ANGLE PROJECTION	
			4 PLACES ± --- ± --- 3 PLACES ± --- ± --- 2 PLACES ± 0.25 ± --- 1 PLACE ± 0.25 ± ---		DRAWN BY DATE LINDA 2006/02/23		TITLE 9 CKT FEMALE D-SUB NON-SHIELDING CONNECTOR		
			ANGULAR ± 3 °		CHECKED BY DATE ROGER TSAI 2006/02/23				
			DRAFT WHERE APPLICABLE MUST REMAIN WITHIN DIMENSIONS		APPROVED BY DATE ALLEN LIN 2006/02/23		MOLEX INCORPORATED		
				MATERIAL NO. 67356-9999		DOCUMENT NO. SD-67356-005		SHEET NO. 2 OF 2	