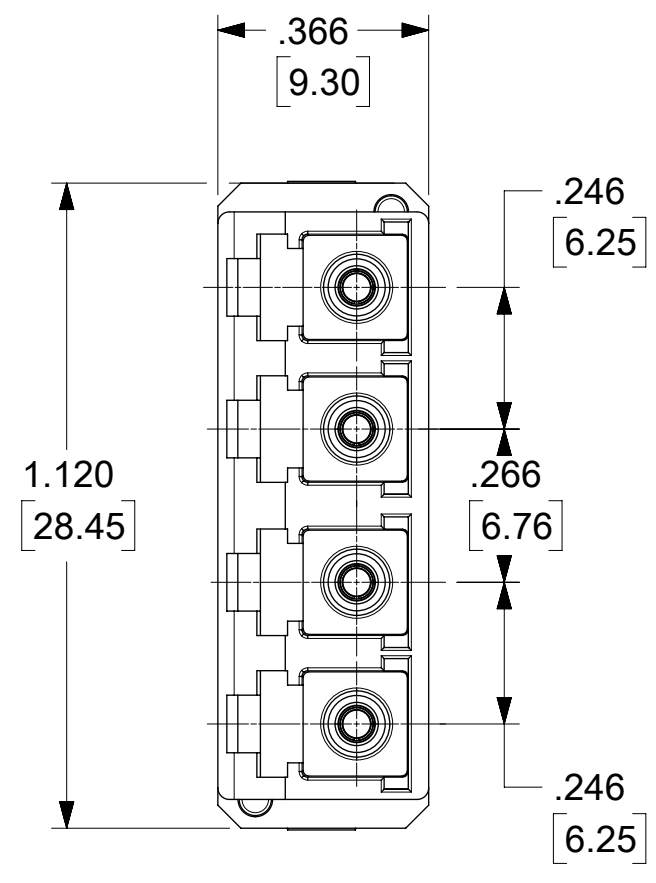
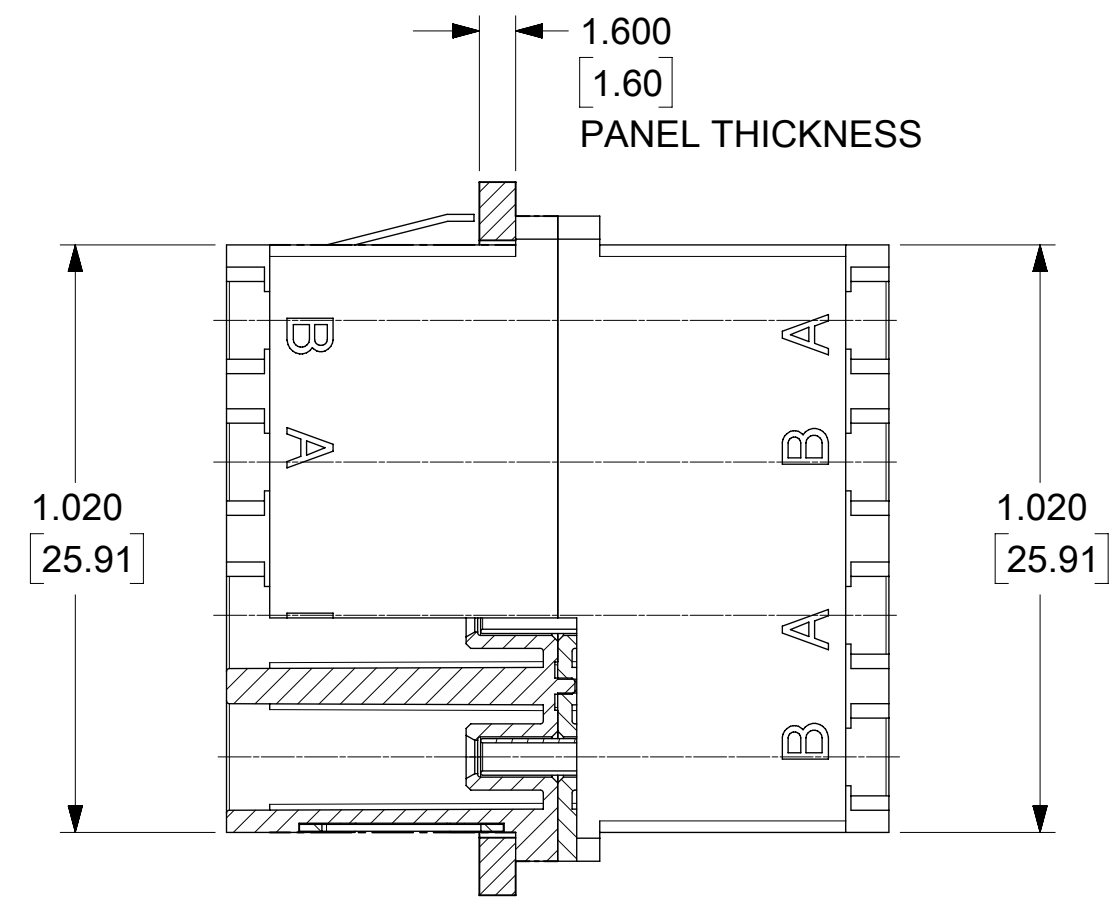
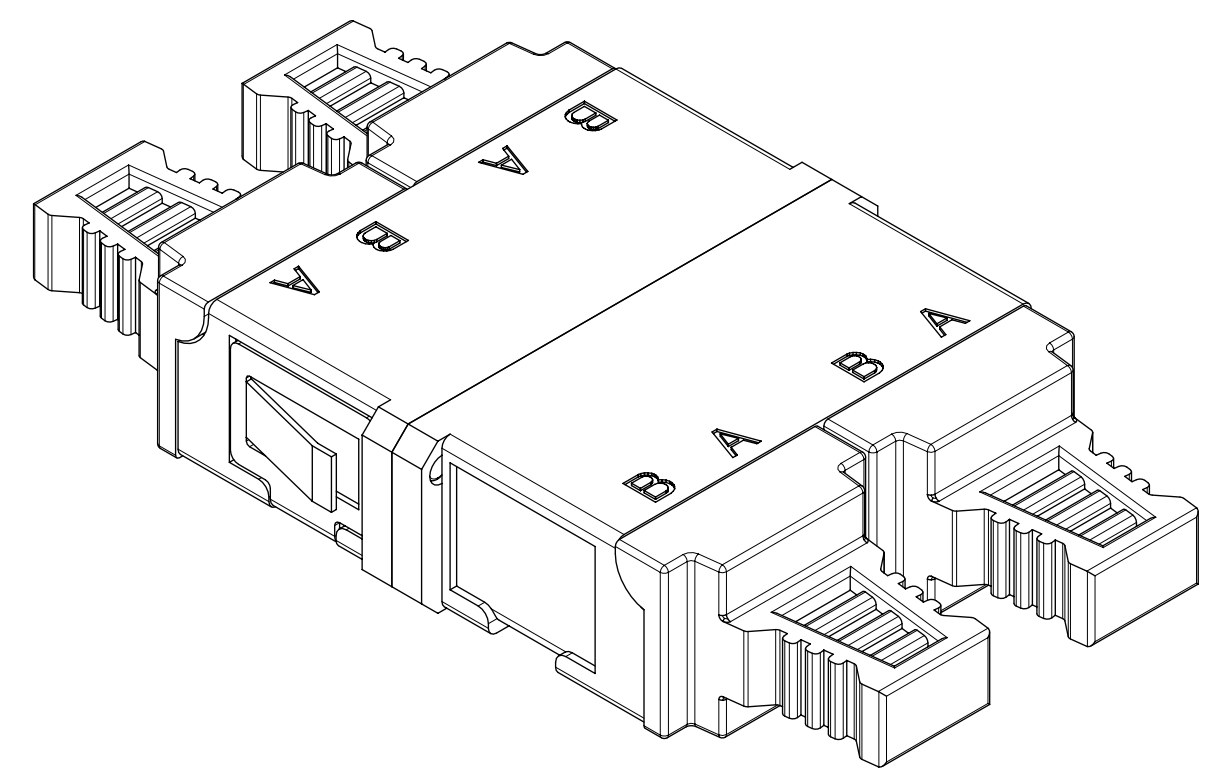
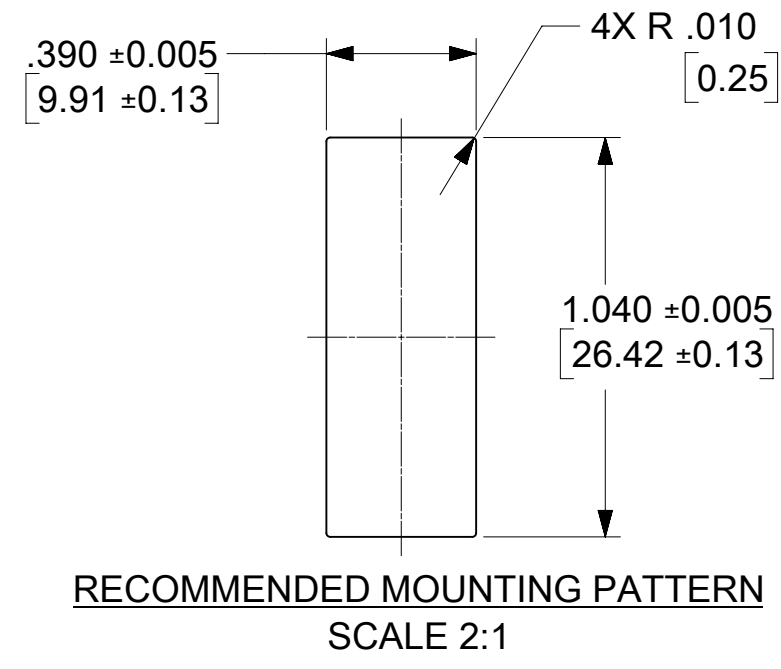
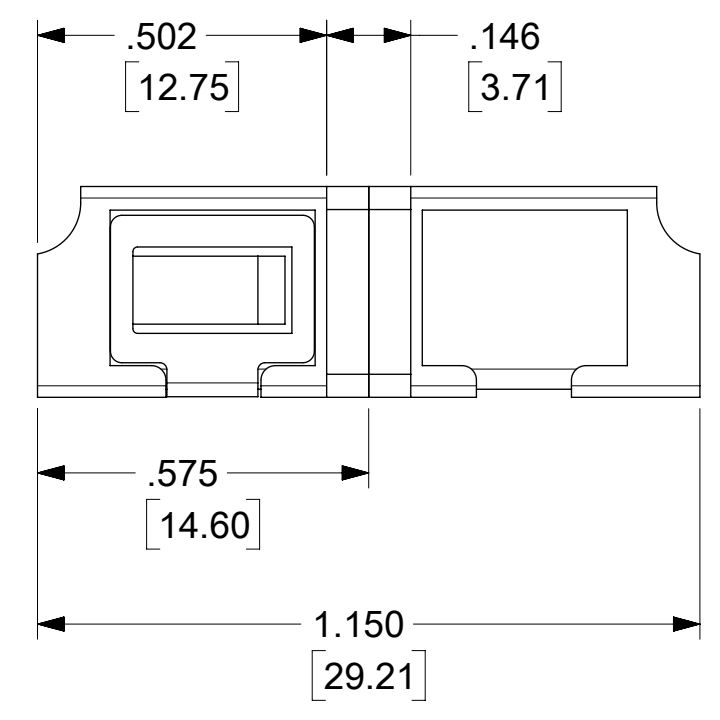
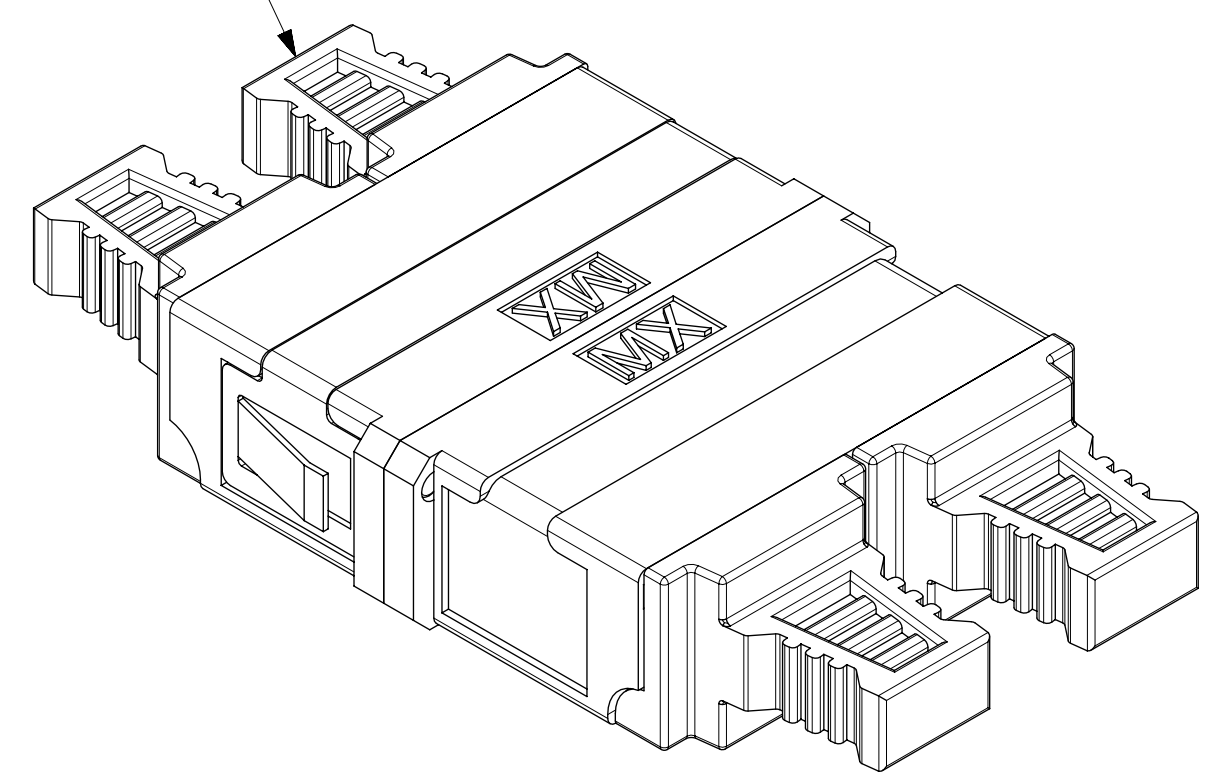


LC QUAD ADAPTER P/N	ADAPTER COLOR	SPLIT SLEEVE MATERIAL
1061230300	BLUE	Zr
1061231300	BEIGE	Zr
1061231320		Zr
1061231350	BLUE	Zr
1061232300	GREEN	Zr
1061233300	AQUA	Zr
1061233320		Zr



WHITE DUST CAP  
(4X)



NOTES:

1. ALL DIMENSIONS ARE FOR REFERENCE ONLY.
2. DUST CAPS ARE SHOWN IN ISOMETRIC VIEWS ONLY.
3. LC QUAD ADAPTER HAS SC DUPLEX ADAPTER FOOTPRINT.

FUNCTIONAL SYMBOLS		THIS DRAWING CONTAINS INFORMATION THAT IS PROPRIETARY TO MOLEX ELECTRONIC TECHNOLOGIES, LLC AND SHOULD NOT BE USED WITHOUT WRITTEN PERMISSION		CURRENT REV DESC:					
DIMENSION UNITS		SCALE		EC NO: 689237					
HYBRID		3:1		DRWN: JHUANG18		PRODUCT CUSTOMER DRAWING			
GENERAL TOLERANCES (UNLESS SPECIFIED)		ANGULAR TOL ± °		CHK'D: IGUMIN		DOCUMENT NUMBER			
4 PLACES ±		3 PLACES ±		APPR: IGUMIN		SD-106123-X300			
3 PLACES ±		2 PLACES ±		INITIAL REVISION:		DOC TYPE   DOC PART   REVISION			
2 PLACES ±		1 PLACE ±		DRWN: PGIBLIN		PSD   001   B			
1 PLACE ±		0 PLACES ±		APPR: IGUMIN		MATERIAL NUMBER   CUSTOMER   SHEET NUMBER			
DRAFT WHERE APPLICABLE MUST REMAIN WITHIN DIMENSIONS		THIRD ANGLE PROJECTION		DRAWING		SEE TABLE   GENERAL MARKET   1 OF 1			
				C-SIZE		SERIES			
				106123					