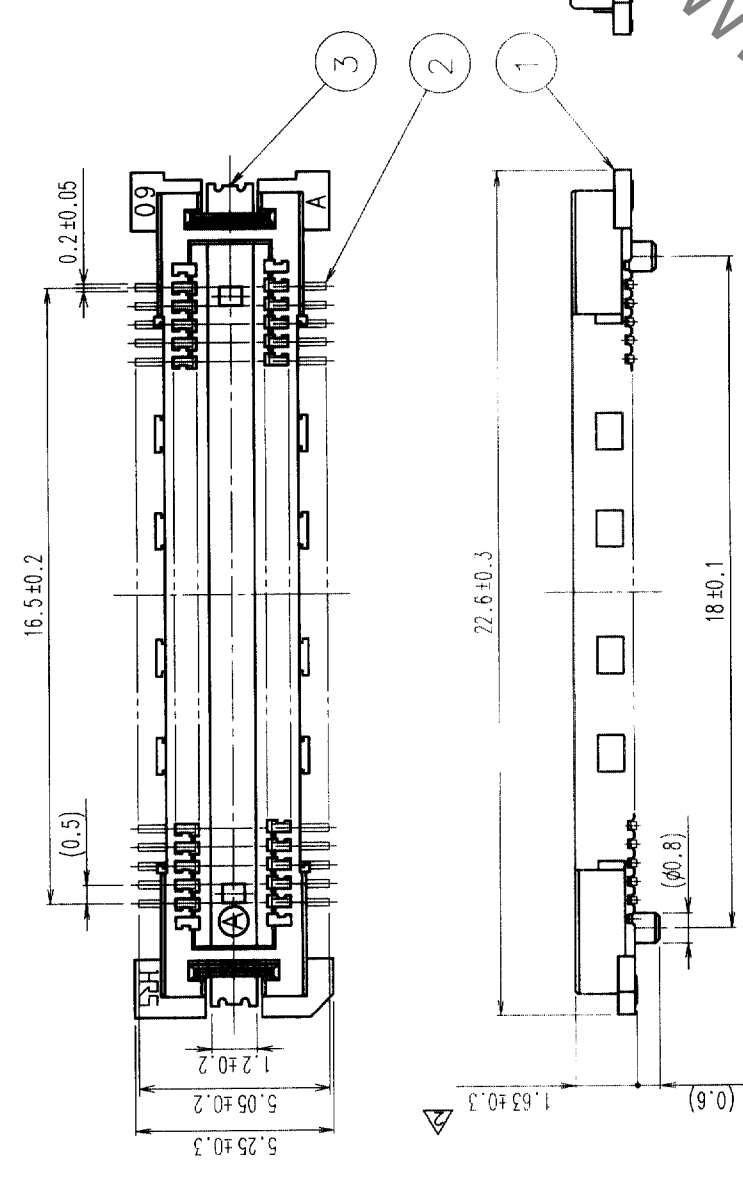
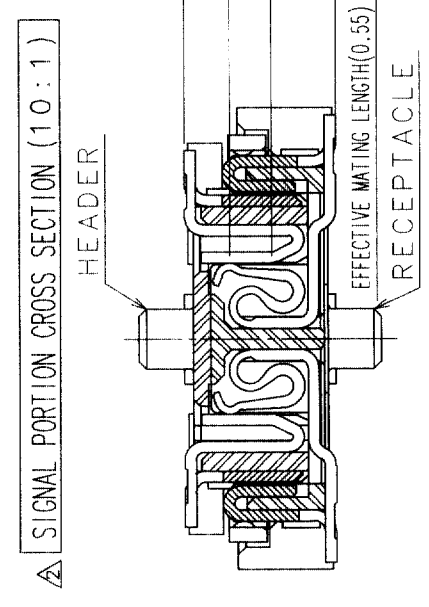
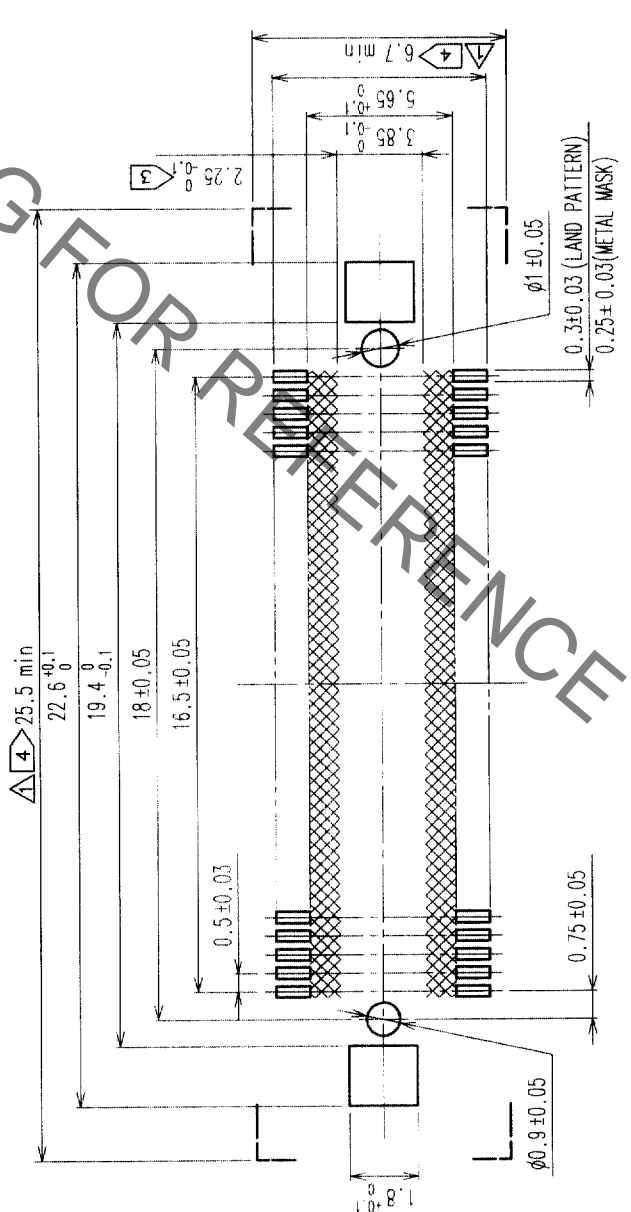


COUNT	DESCRIPTION OF REVISIONS	BY	CHKD	DATE	COUNT	DESCRIPTION OF REVISIONS	BY	CHKD	DATE
1	3 RE-F-06374	J.M.M.		19.05.15					
2	3 RE-F-06522	J.M.M.		19.9.7					



RECOMMENDED LAND PATTERN DIMENSION OF PCB



- NOTES
- 1 SMT LEAD-COPLANARITY: 0.1 MAX.
 - 2 THIS PRODUCT HAS NO POLARITY TO PATTERN FOR MOUNTING.
 - 3 MAKE SURE WIDTH OF PATTERN IS WITHIN THAT OF LAND, OR LEAD MAY TOUCH PATTERN. (THIS APPLIES TO HATCHED AREA.)
 - 4 DO NOT MOUNT OTHER DEVICES ONTO [] AREA, OR MATING PAIR CANNOT BE MATED.

NO.	MATERIAL	FINISH, REMARKS	NO.	PHOSPHOR BRONZE	TIN PLATED	FINISH, REMARKS
2	COPPER ALLOY	CONTACT AREA: GOLD (0.1µm) OVER NICKEL				
1	LCP	BEIGE UL94V-0	3			

CODE NO. (OLD)	DRAWN	DESIGNED	CHECKED	APPROVED	RELEASED
CL	J.Matsukawa	J.Matsukawa	Y.Yoshimura	Y.Yoshimura	
	990212	990212	990212	990212	

DRAWING NO.	PART NO.
EDC3-152100	FX111LA-68P-SV

SCALE	UNITS	CODE NO.
5:1	mm	CL573-0042-1

TO	
PCK	