

THIS DRAWING IS UNPUBLISHED.

RELEASED FOR PUBLICATION

ALL RIGHTS RESERVED.

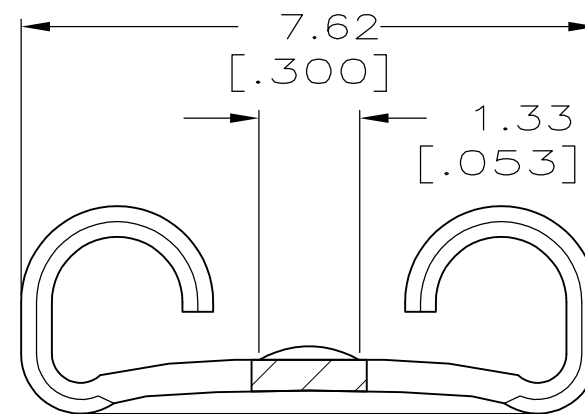
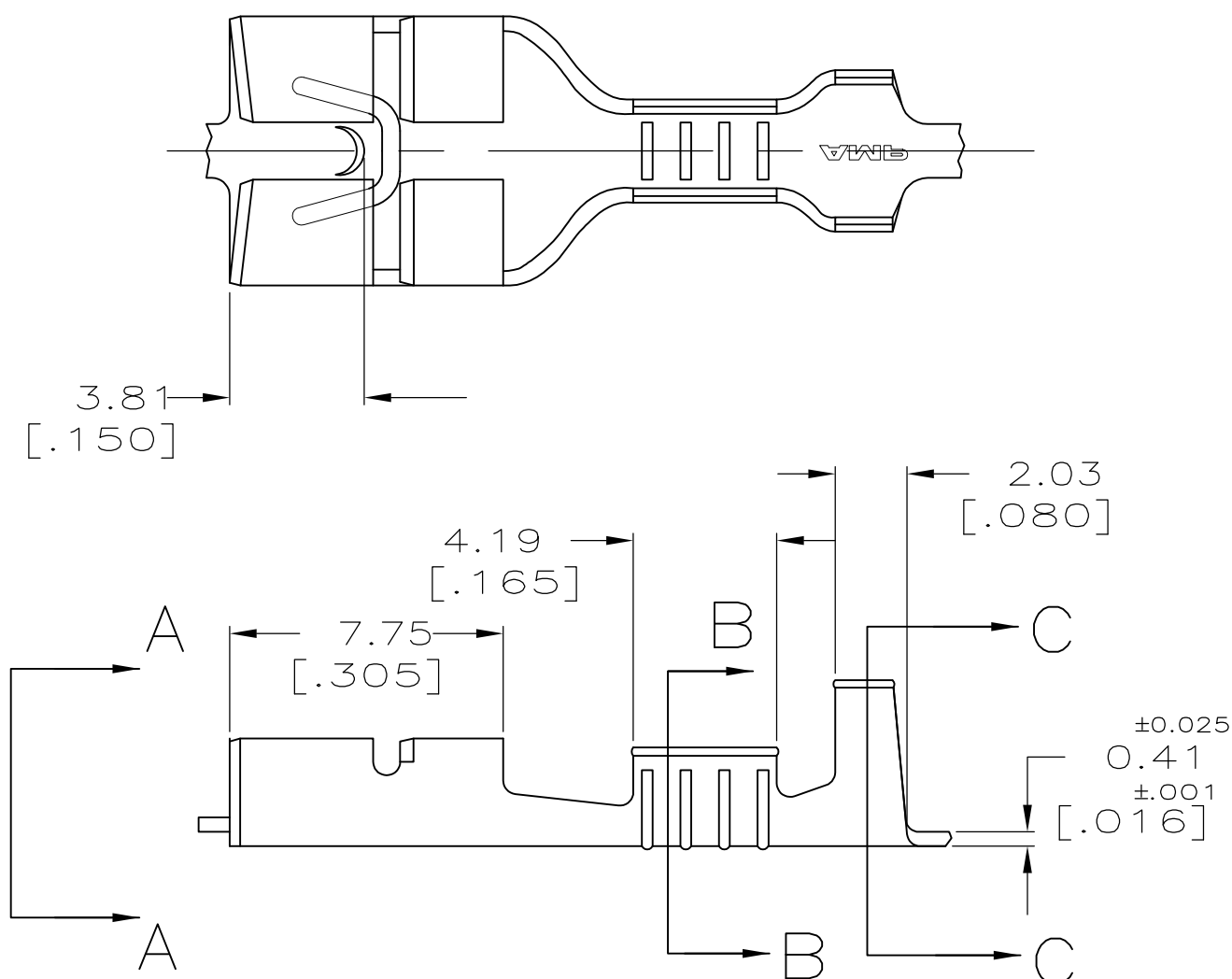
© COPYRIGHT - By -

LOC AF DIST 50

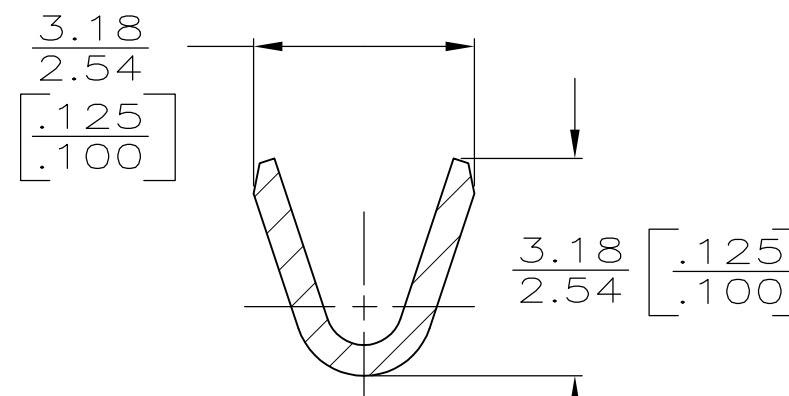
REVISIONS

P	LTR	DESCRIPTION	DATE	DWN	APVD
	D	REVISED PER ECR-12-013518	23NOV2012	KH	PD

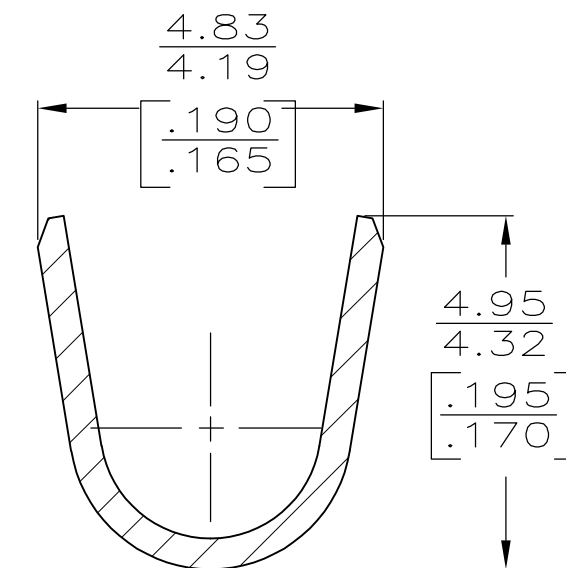
1 CONTINUOUS STRIP ON REELS



VIEW A-A
SCALE 10:1



SECTION B-B
SCALE 10:1



SECTION C-C
SCALE 10:1

2.29-3.30 [.090-.130] DIA	0.3-0.8mm ² [22-18] AWG	0.813 [.032]	63693-1
INSULATION RANGE	WIRE SIZE	MATING TAB THK ±0.025 [.001]	PART NO

F OR 0	3.30 [.130]	5.59 [.220]	F	2.29 [.090]	1.42 [.056]	0.8mm ² [18]
					1.30 [.051]	0.5mm ² [20]
					1.24 [.049]	0.3mm ² [22]
TYPE INSUL BARREL CRIMP	WIDTH	STRIP LENGTH ±0.38 ±[.015]	TYPE WIRE	WIDTH	HEIGHT ±.051 [±.002]	WIRE
						BRASS

THIS DRAWING IS A CONTROLLED DOCUMENT.	
DIMENSIONS: mm [INCHES]	TOLERANCES UNLESS OTHERWISE SPECIFIED:
	0 PLC ± -
	1 PLC ± -
	2 PLC ± 0.25 [.010]
	3 PLC ± -
	4 PLC ± -
	ANGLES ± -
MATERIAL	FINISH
BRASS	-

DWN JR RUTH 7/16/93	TE Connectivity RECEPTACLE, FASTON, 6.35 [.250] SERIES	SIZE	CAGE CODE	DRAWING NO	RESTRICTED TO
CHK P FORTNEY 7/16/93		A3	00779	C-63693	-
APVD C MEYERS 7/16/93		CUSTOMER DRAWING			
PRODUCT SPEC		SCALE	SHEET	REV	
APPLICATION SPEC	5:1	1 OF 1	D		
114-2036					
WEIGHT					
-					