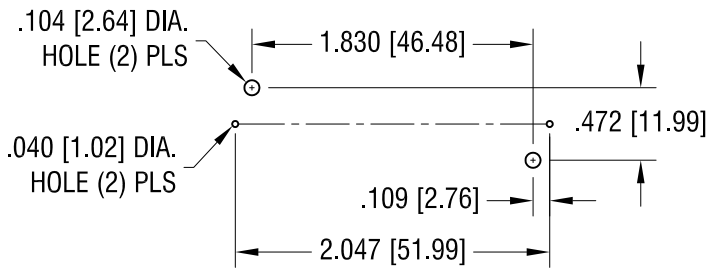
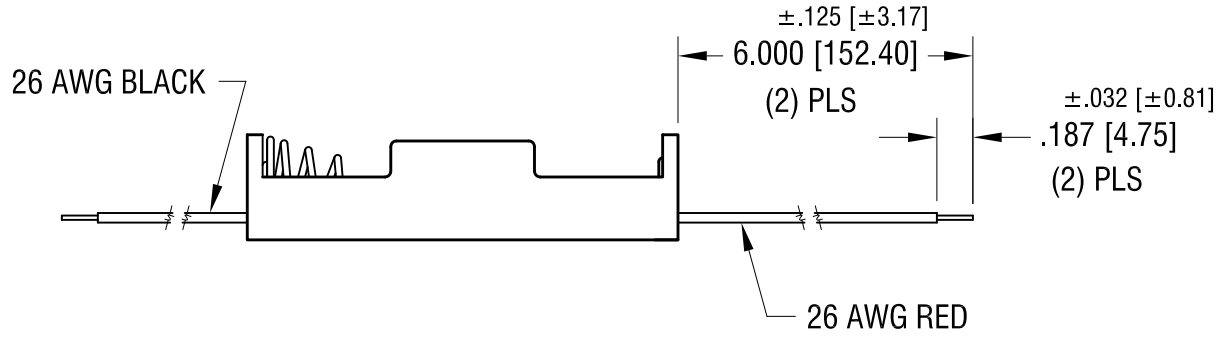
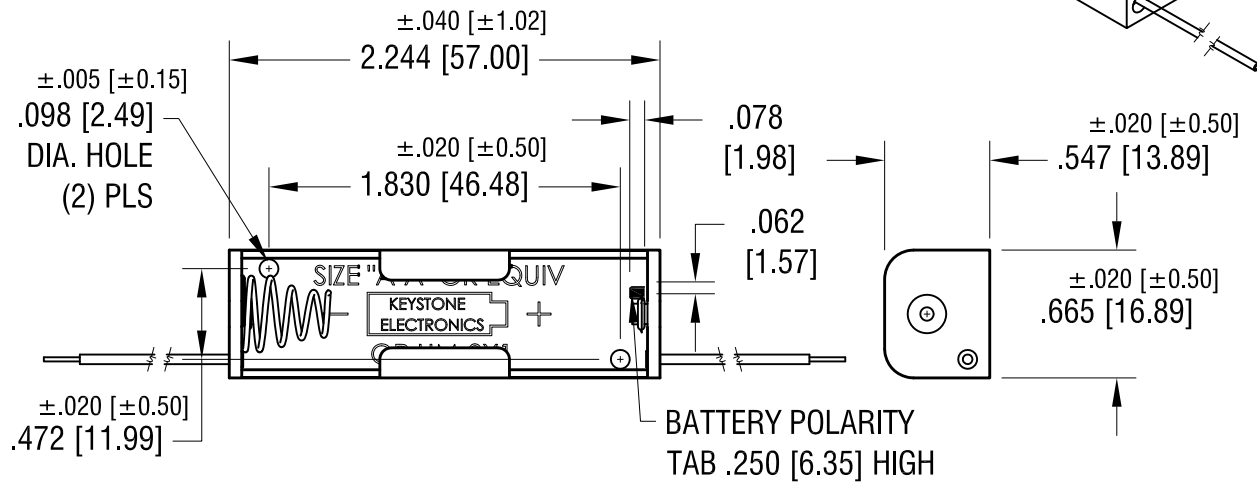
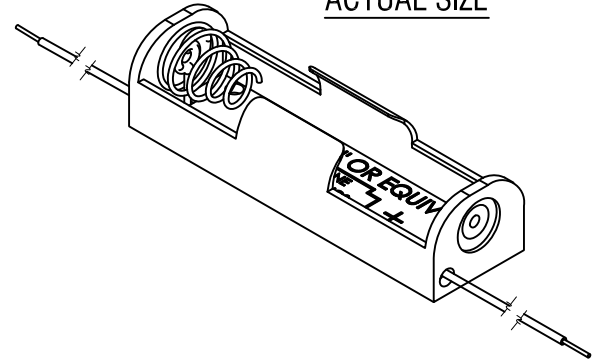


THIS DOCUMENT IS THE PROPERTY OF
KEYSTONE ELECTRONICS CORP. AND
SHALL NOT BE REPRODUCED, DISTRIBUTED
OR USED AS A BASIS FOR MANUFACTURE
WITHOUT PRIOR WRITTEN PERMISSION
FROM KEYSTONE ELECTRONICS CORP.

MOUNTING DETAIL



ACTUAL SIZE



NOTE:

- 1. HOLDER: MAT'L: POLYPROPYLENE
- 2. SPRING: MAT'L: MUSIC WIRE, .024 [0.60] DIA.

KEYSTONE ELECTRONICS CORP.			
www.keyelco.com • NEW HYDE PARK, NY 11040 • Tel (516) 328-7500			
PART NAME		PC BATTERY HOLDER (1) 'AA'	
MATERIAL		AS NOTED	
FINISH		DRN BY	DATE
NICKEL PLATE		BOONE	10.11.95
		APP'D	SCALE
		LN	1X
TOLERANCES		DWG NO.	
INCH	[MM]	2461	
DECIMAL	± .010 [± .025]		
ANGULAR	± 1°		
UNLESS OTHERWISE SPECIFIED		CODE	
		C	

11.8.05	CHANGE AS PER ECN 05-080	C
DATE	DESCRIPTION	REV.