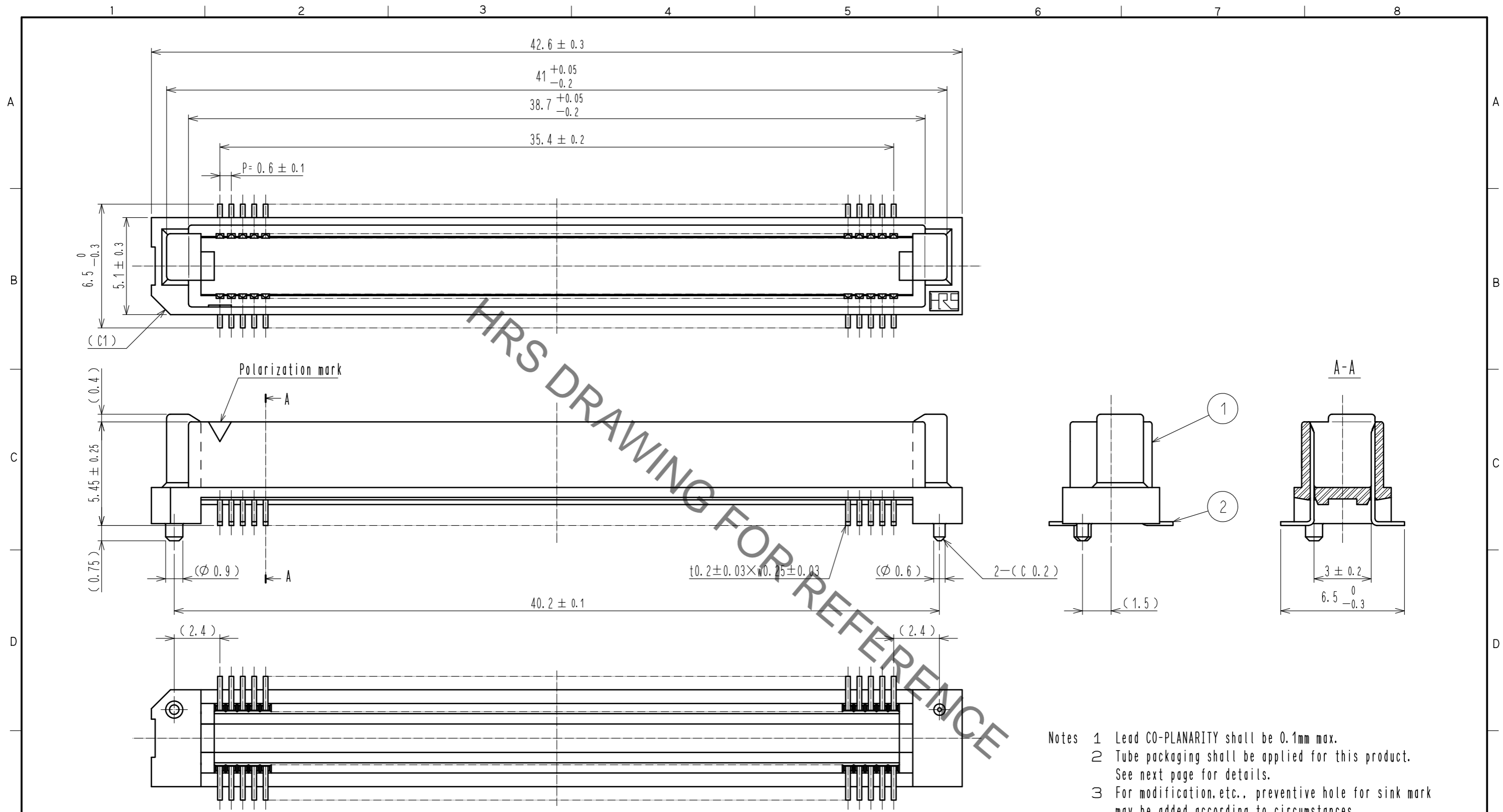
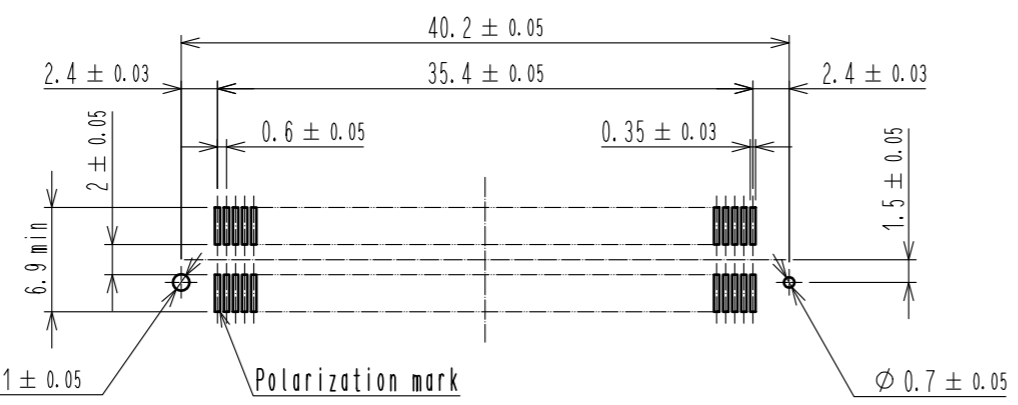


May.1.2023 Copyright 2023 HIROSE ELECTRIC CO., LTD. All Rights Reserved.
In case of consideration for using Automotive equipment / device which demand high reliability, kindly contact our sales window correspondents.

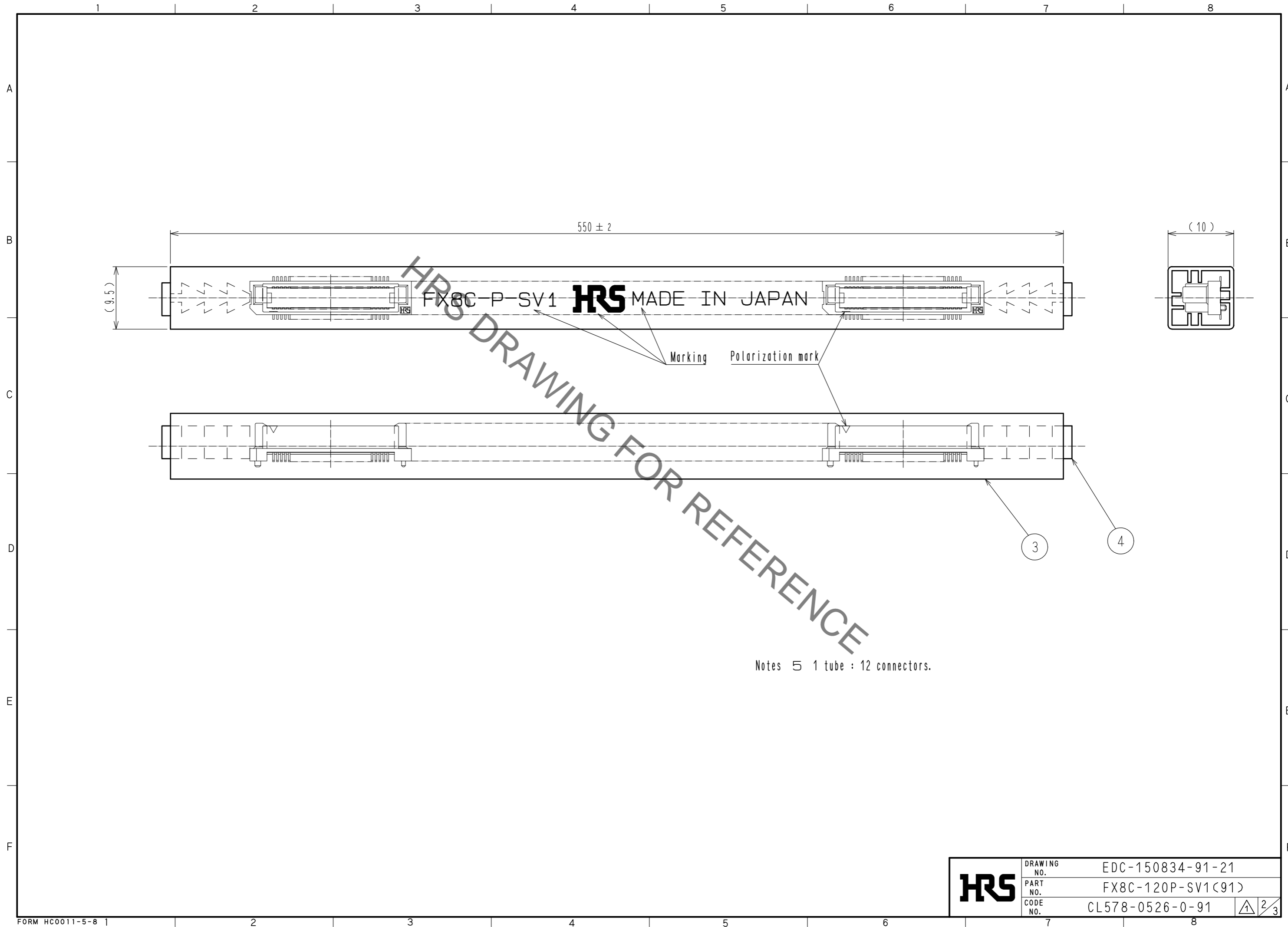


Recommended land pattern dimension of PCB (mounting side) (2:1)



2	PHOSPHOR BRONZE	Contact area : Gold 0.1 μ m min.					
		Lead area : Tin-plating 1 μ m min.					
		Under plating : Nickel 1 μ m min.	4	POLYVINYL CHLORIDE	(Stopper)		
1	PPS	Light brown (UL94V-0)	3	POLYVINYL CHLORIDE	(Tube)		
NO.	MATERIAL	FINISH . REMARKS	NO.	MATERIAL	FINISH . REMARKS		
UNITS		SCALE	COUNT	DESCRIPTION OF REVISIONS		DESIGNED	CHECKED
mm		5 : 1	1	DIS-F-00006414		KS. NAKAJIMA	HT. YAMAGUCHI
				APPROVED : HS. OKAWA	20051216	DRAWING NO. EDC-150834-91-21	
				CHECKED : HS. OZAWA	20051216	PART NO. FX8C-120P-SV1(91)	
				DESIGNED : KY. NAKAMURA	20051216	CODE NO. CL578-0526-0-91	
				DRAWN : SY. KAMIGA	20051108		
						1/3	

May.1.2023 Copyright 2023 HIROSE ELECTRIC CO., LTD. All Rights Reserved.
In case of consideration for using Automotive equipment / device which demand high reliability, kindly contact our sales window correspondents.

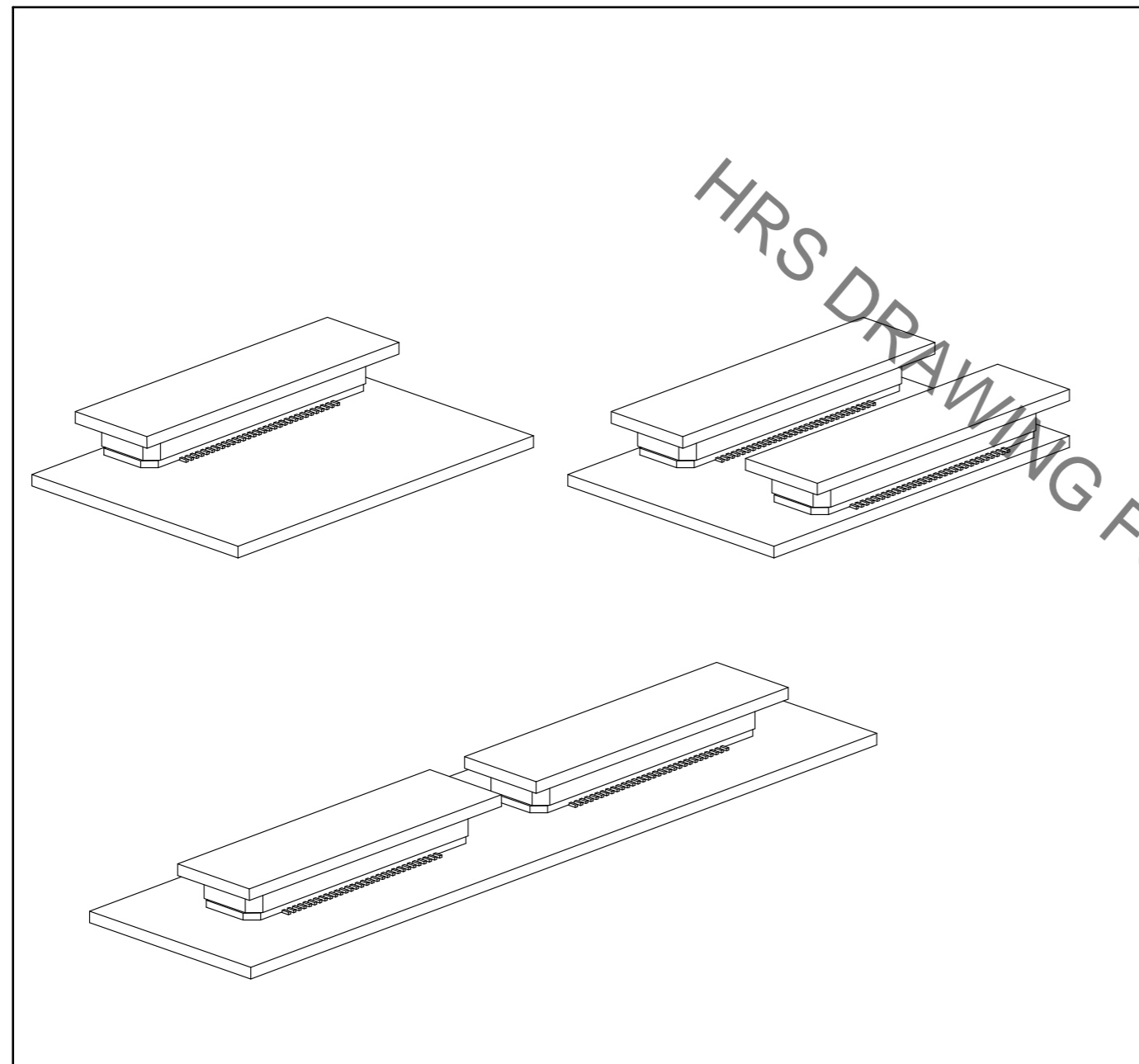


May.1.2023 Copyright 2023 HIROSE ELECTRIC CO., LTD. All Rights Reserved.
In case of consideration for using Automotive equipment / device which demand high reliability, kindly contact our sales window correspondents.

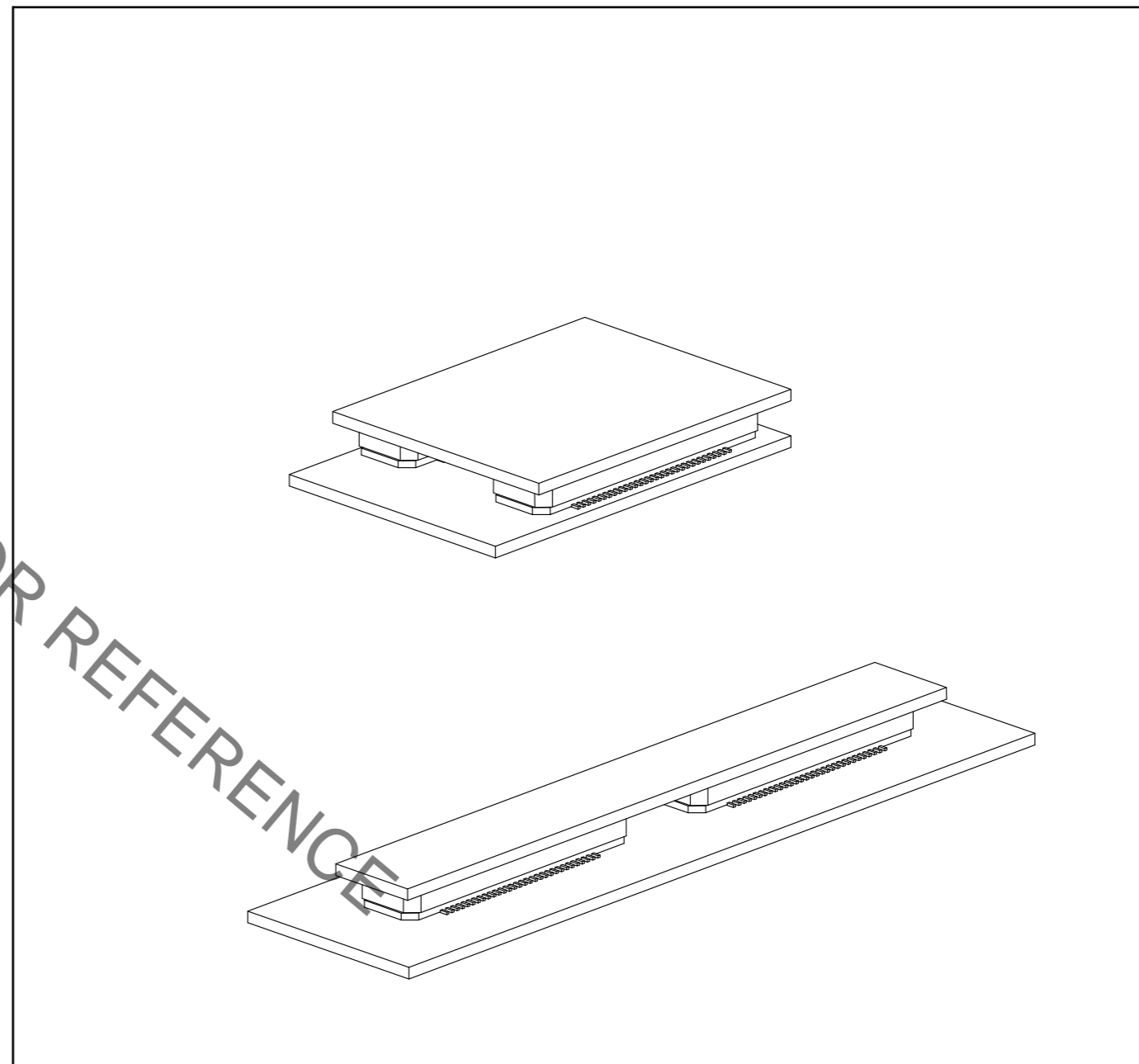
【 Precaution 】

When a board with multiple connectors mounted is mated, the connector may be damaged or deformed.
Please divide one side of the board so only one connector is mated per board.

OK



NG



HRS DRAWING FOR REFERENCE

HRS	DRAWING NO.	EDC-150834-91-21
	PART NO.	FX8C-120P-SV1(91)
	CODE NO.	CL578-0526-0-91
		3/3