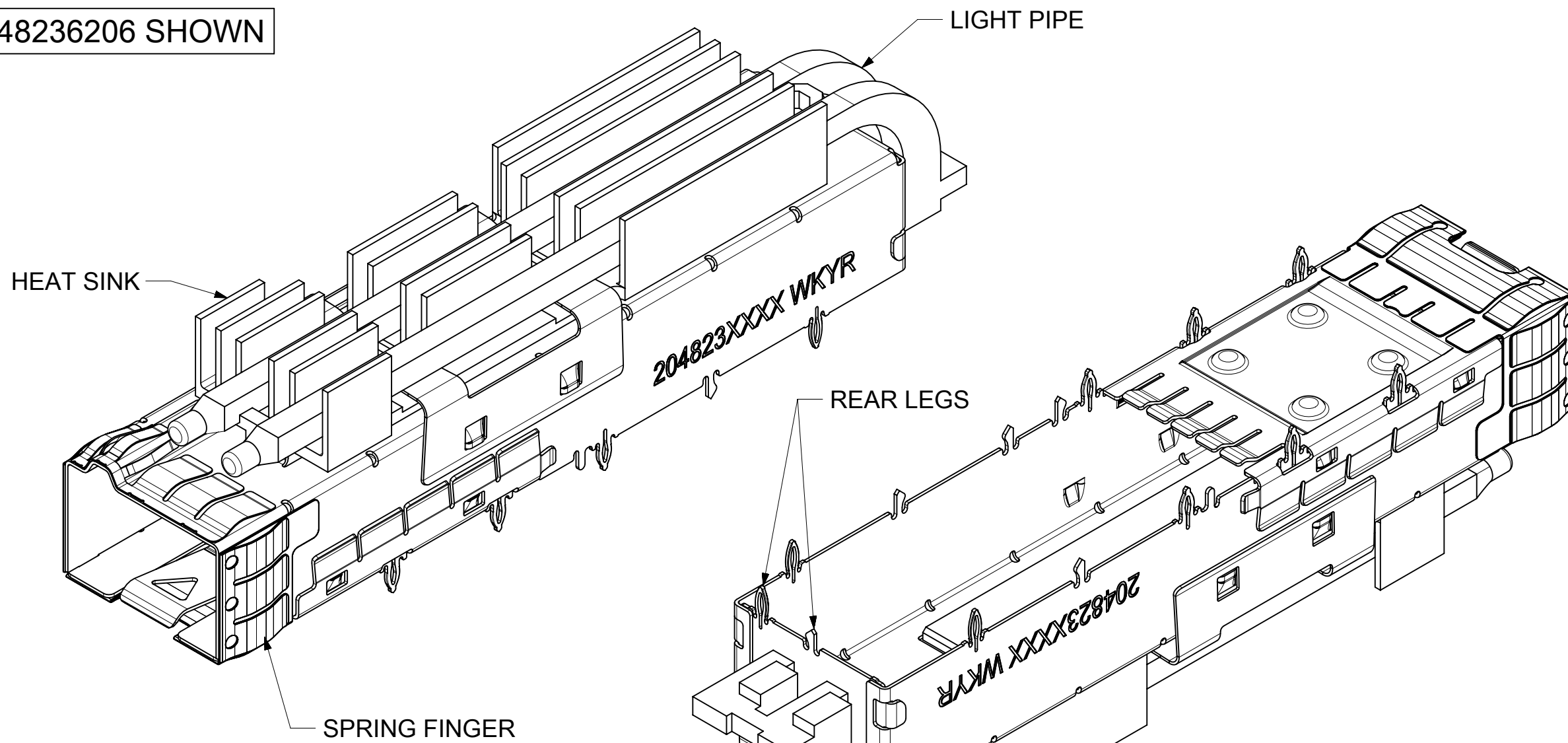
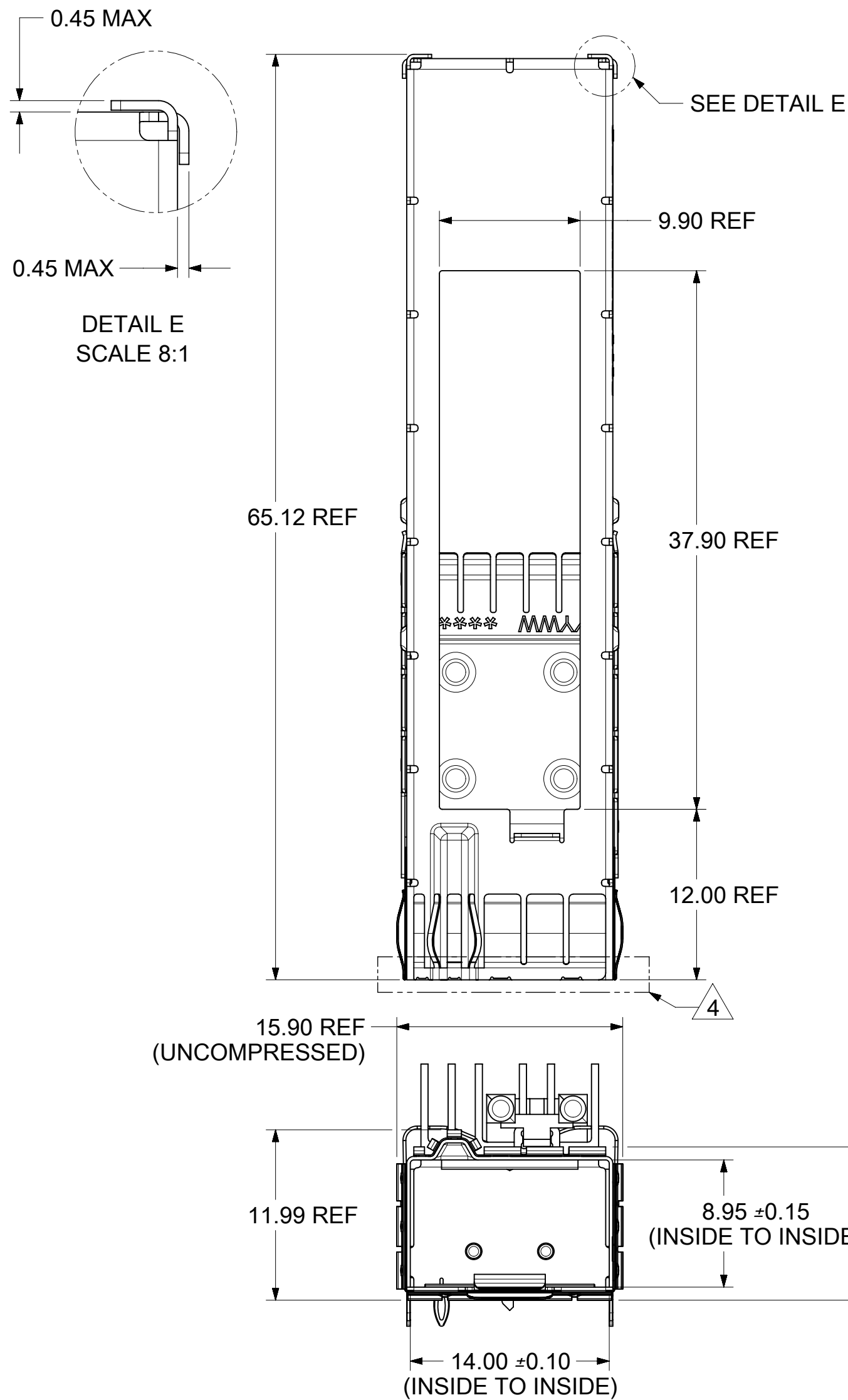


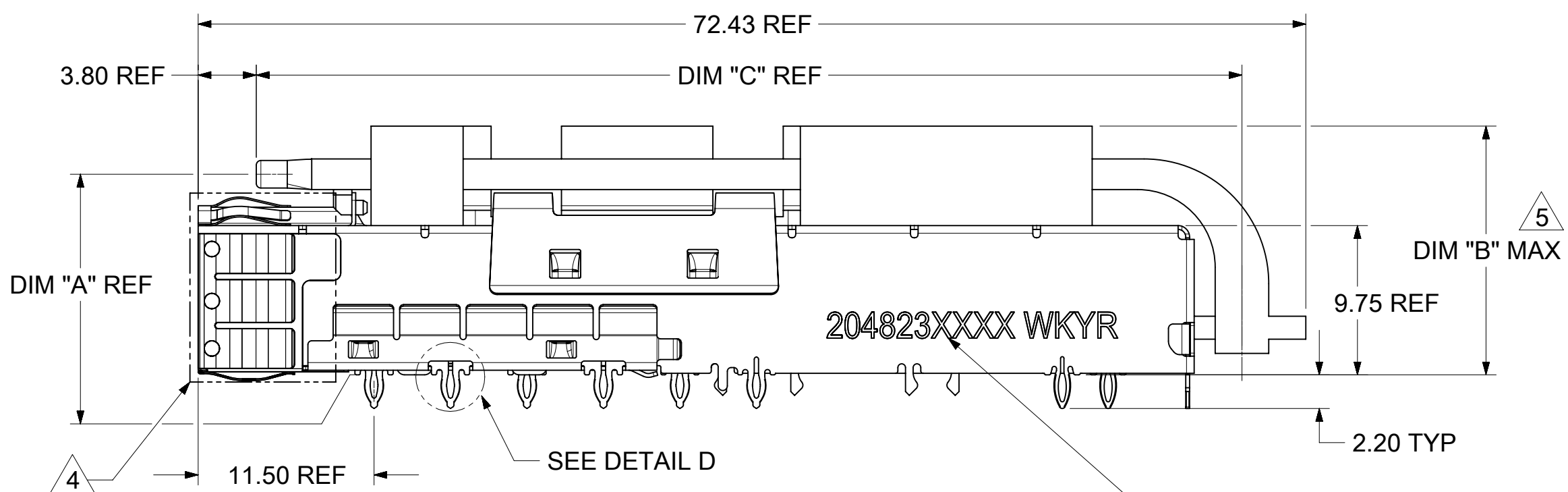
# COMMON DIMENSION

2048236206 SHOWN

(HEAT SINK / LIGHT PIPE / CLIP NOT SHOWN FOR CLARITY)



WEEK/YEAR DATE CODE TABLE	
WK	WEEK 01 THROUGH 52. EXAMPLE: 01 - FIRST WEEK OF YEAR, 52 - LAST WEEK OF YEAR
YR	LAST TWO DIGITS OF THE YEAR, 20, 21, 22, ETC. EXAMPLE: 2020 = 20



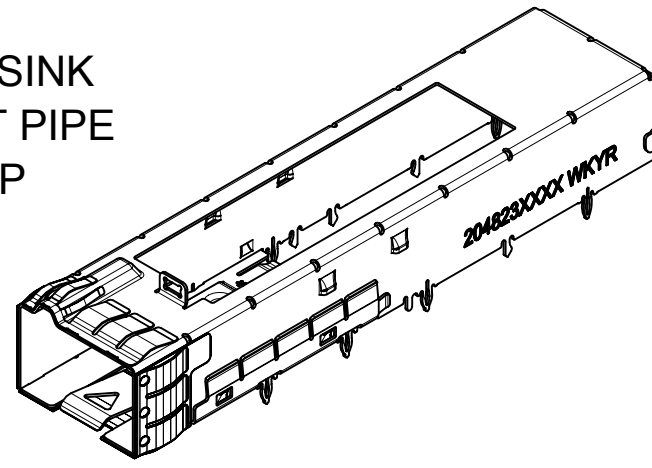
PART NO. AND WEEK/YEAR CODE TO BE PRINTED OR LASERED ON THE SIDE OF COMPLETED CAGE ASSEMBLY APPROXIMATELY AS SHOWN

- NOTES:
- MATERIAL:  
 CAGE: 0.25mm THICKNESS, STAINLESS STEEL  
 FRONT SPRING FINGERS: 0.1mm THICK COPPER ALLOY, NICKEL PLATED.  
 HEATSINK: ALUMINUM, BLACK ANODIZATION.  
 HEATSINK CLIP: STAINLESS STEEL  
 LIGHTPIPE: POLYCARBONATE
  - PRESS FIT LEGS 2.2mm LONG:
  - PORTS ARE DESIGNED FOR SFP-DD TRANSCEIVERS  
 THE TOP SURFACE OF THE MODULE MUST BE FLAT (NO PRODUCT LABEL RECESS) AND THERMALLY CONDUCTIVE TO OPTIMAL FUNCTION.
  - WELD SPOTS WILL SHOW SLIGHT MATERIAL DISCOLORATION.
  - HEIGHT OF HEAT SINK WITH MODULE INSERTED.  
 DIMENSION MAY BE LESS DUE TO MODULE AND HEAT SINK VARIATIONS.
  - NO RoHS EXEMPTIONS.

THIS DRAWING CONTAINS INFORMATION THAT IS PROPRIETARY TO MOLEX ELECTRONIC TECHNOLOGIES, LLC AND SHOULD NOT BE USED WITHOUT WRITTEN PERMISSION									
DIMENSION UNITS		SCALE		CURRENT REV DESC: SEE REV TABLE					
mm		3:1		<p><b>molex</b></p> <p>SFP-DD 1X1 CAGE ASY, SPRING FINGER TYPE TRAPEZOID DEEP DRAWN W/ LIGHT PIPE AND HEATSINK OPTIONS</p> <p>PRODUCT CUSTOMER DRAWING</p> <p>DOCUMENT NUMBER: 2048236206   DOC TYPE: PSD   DOC PART: ASY   REVISION: E</p> <p>MATERIAL NUMBER: SEE SHEET 2   CUSTOMER:   SHEET NUMBER: 1 OF 7</p>					
GENERAL TOLERANCES (UNLESS SPECIFIED)									
ANGULAR TOL ± 2.0°									
4 PLACES ±									
3 PLACES ±									
2 PLACES ± 0.13									
1 PLACE ± 0.25									
0 PLACES ±				EC NO: 647405		2020/10/05			
DRAFT WHERE APPLICABLE MUST REMAIN WITHIN DIMENSIONS				THIRD ANGLE PROJECTION		DRAWING		SERIES	
				C-SIZE		204823			

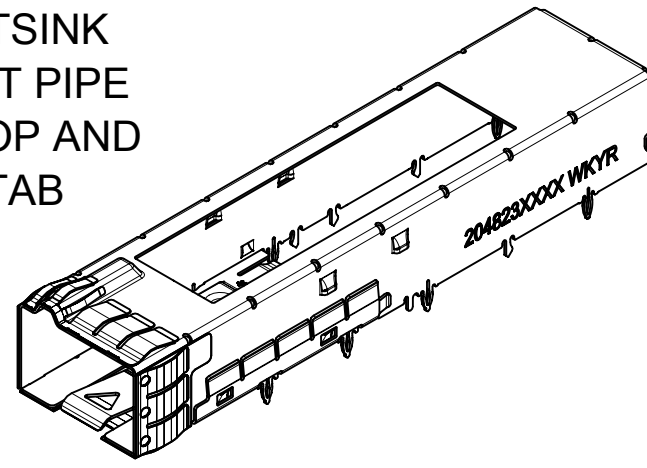
# PART NUMBER SELECTION

NO HEATSINK  
NO LIGHT PIPE  
OPEN TOP



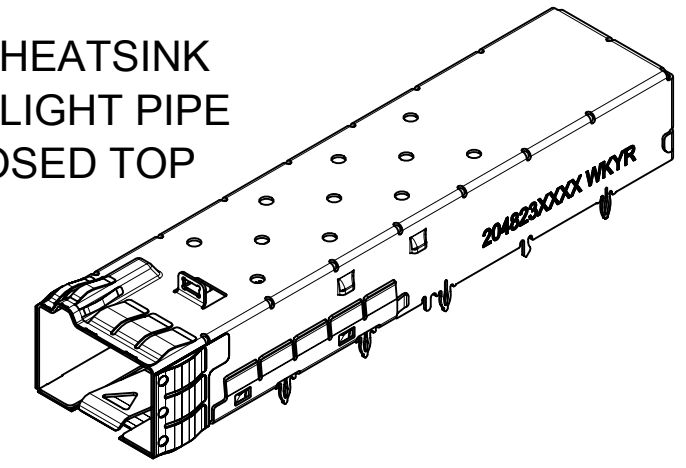
MOLEX P/N	# OF REAR LEGS PER PORT	CAGE BASE TYPE
2048234000	2	RAISE

NO HEATSINK  
NO LIGHT PIPE  
OPEN TOP AND  
W/O LP TAB



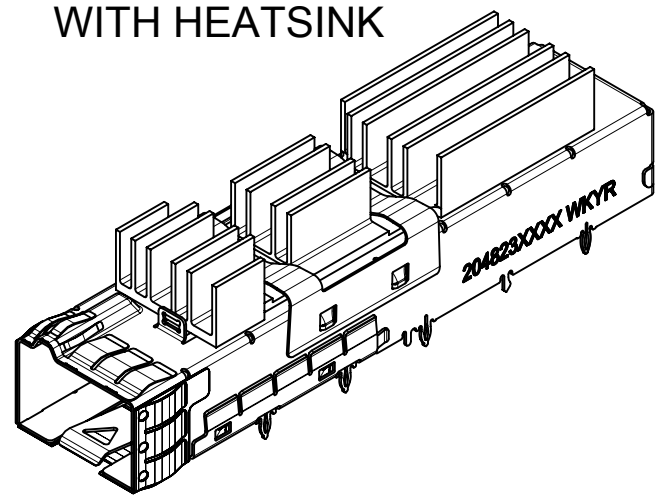
MOLEX P/N	# OF REAR LEGS PER PORT	CAGE BASE TYPE
2048234001	2	RAISE

NO HEATSINK  
NO LIGHT PIPE  
CLOSED TOP



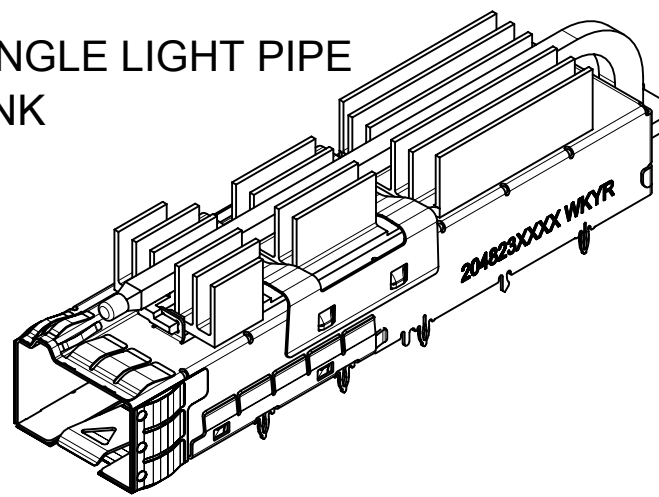
MOLEX P/N	# OF REAR LEGS PER PORT
2048235005	2

WITH HEATSINK



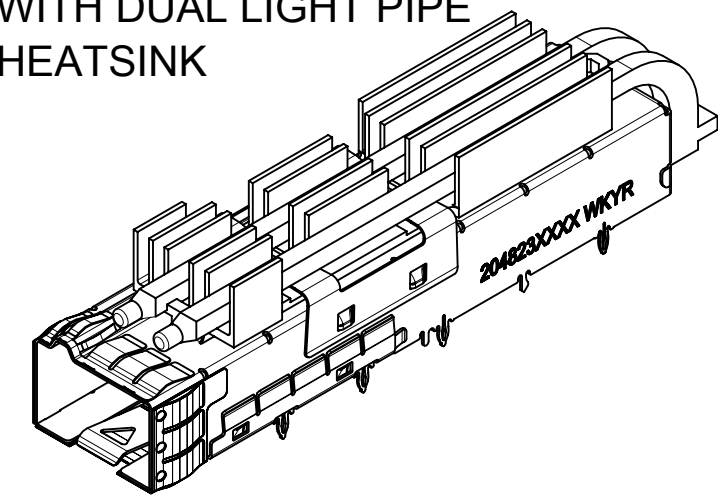
MOLEX P/N	HEATSINKS	# OF REAR LEGS PER PORT	CAGE BASE TYPE	DIM "B"
2048236006	SAN	2	RAISE	17.25
2048236007	PCI	2	RAISE	14.30

WITH SINGLE LIGHT PIPE  
HEATSINK



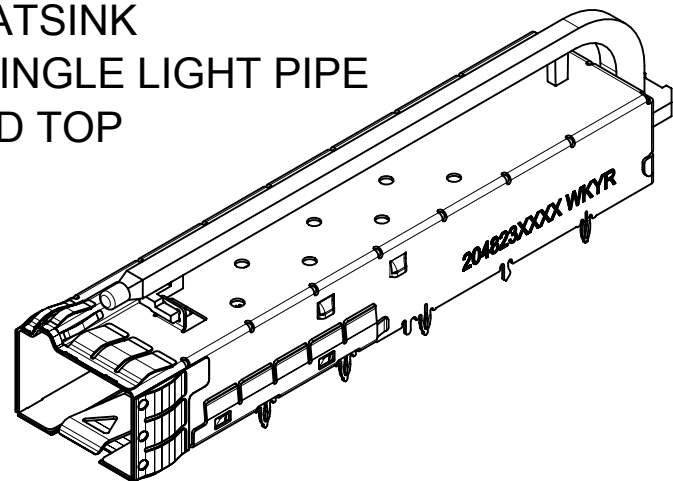
MOLEX P/N	LIGHTPIPES	HEATSINKS	# OF REAR LEGS PER PORT	CAGE BASE TYPE	DIM "A"	DIM "B"	DIM "C"
2048236100	SINGLE	SAN	2	RAISE	14.17	17.25	64.45

WITH DUAL LIGHT PIPE  
HEATSINK



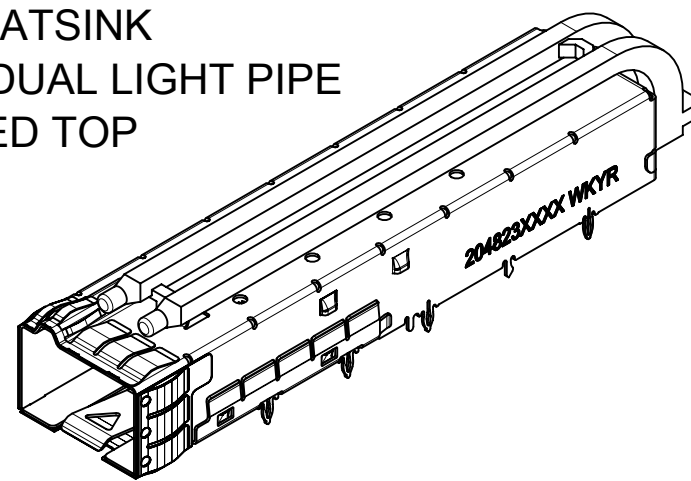
MOLEX P/N	LIGHTPIPES	HEATSINKS	# OF REAR LEGS PER PORT	CAGE BASE TYPE	DIM "A"	DIM "B"	DIM "C"
2048236206	DUAL	SAN	2	RAISE	13.1	17.25	64.45
2048236207	DUAL	PCI	2	RAISE	13.1	14.30	64.45

NO HEATSINK  
WITH SINGLE LIGHT PIPE  
CLOSED TOP



MOLEX P/N	LIGHTPIPES	# OF REAR LEGS PER PORT	DIM "A"	DIM "C"
2048235105	SINGLE	2	14.17	64.45

NO HEATSINK  
WITH DUAL LIGHT PIPE  
CLOSED TOP



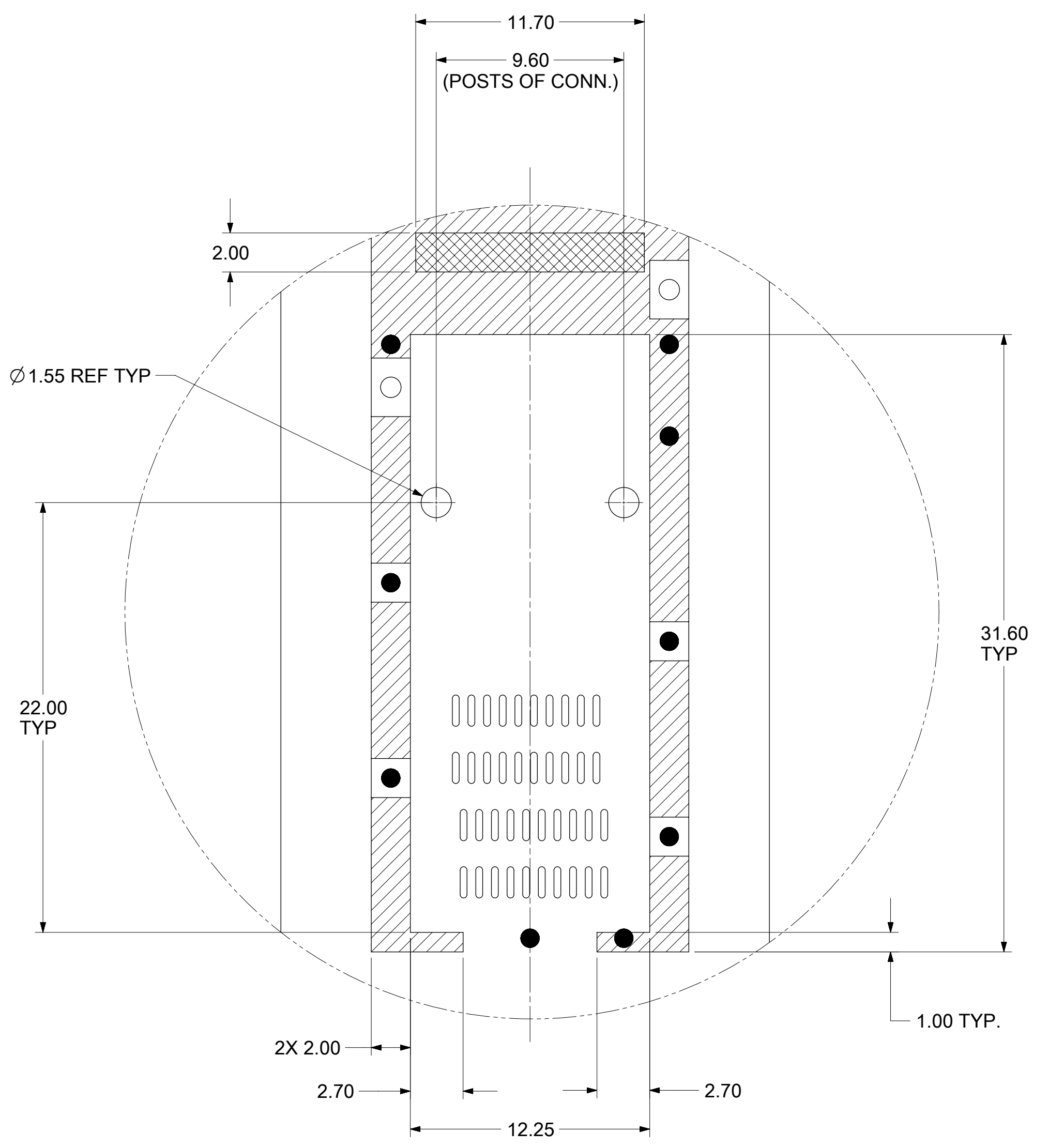
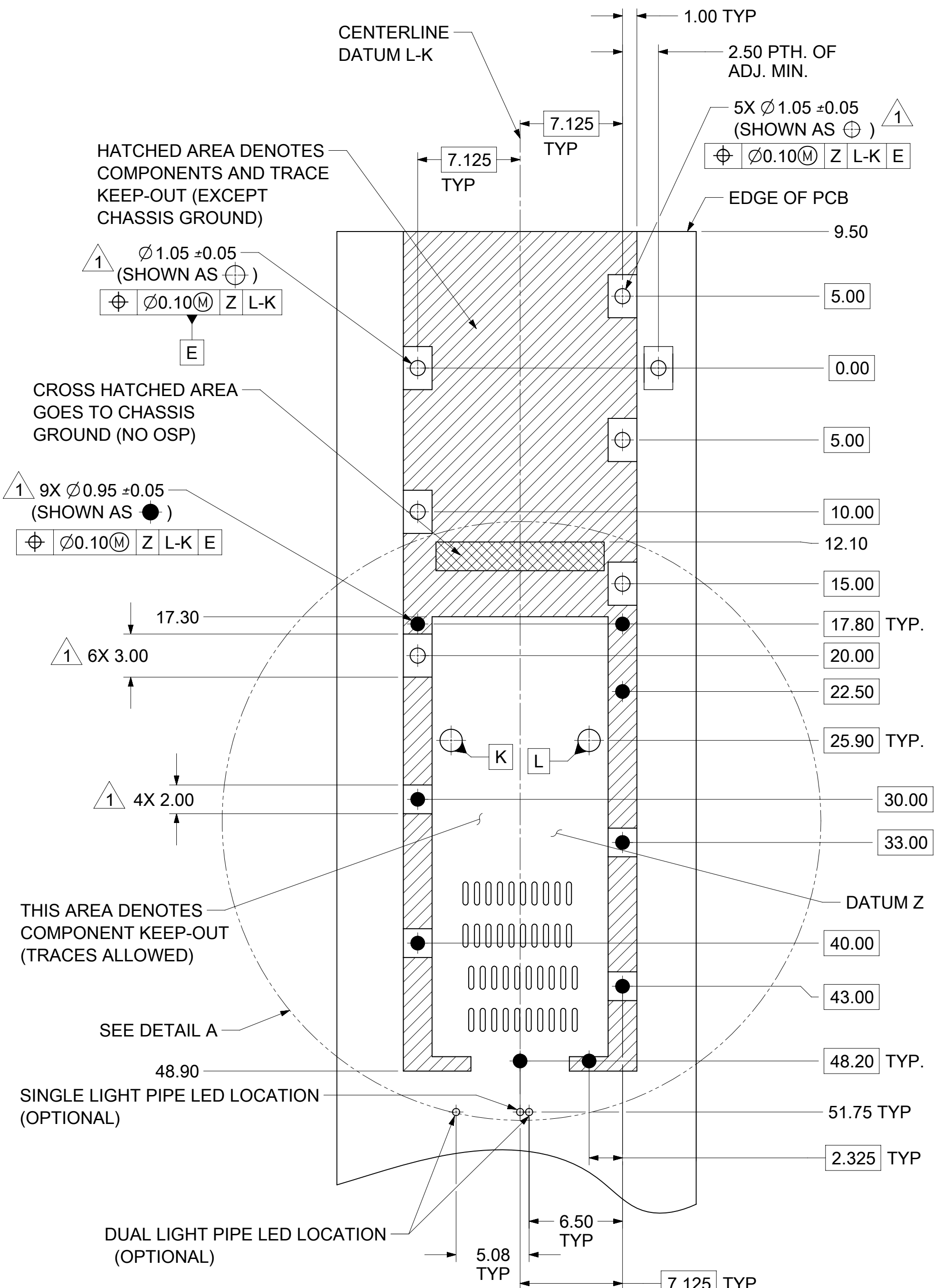
MOLEX P/N	LIGHTPIPES	# OF REAR LEGS PER PORT	DIM "A"	DIM "C"
2048235201	DUAL	2	13.1	64.45

THIS DRAWING CONTAINS INFORMATION THAT IS PROPRIETARY TO MOLEX ELECTRONIC TECHNOLOGIES, LLC AND SHOULD NOT BE USED WITHOUT WRITTEN PERMISSION

DIMENSION UNITS	SCALE	CURRENT REV DESC: SEE REV TABLE	
mm	1.5:1		
GENERAL TOLERANCES (UNLESS SPECIFIED)			
ANGULAR TOL	± 2.0°	EC NO: 647405	
4 PLACES	±	DRWN: TKUMARKC	2020/10/05
3 PLACES	±	CHK'D: TKUMARKC	2020/10/20
2 PLACES	± 0.13	APPR: JCHIANG	2020/10/21
1 PLACE	± 0.25	INITIAL REVISION:	
0 PLACES	±	DRWN: DSUN15	2018/09/21
		APPR: RCHEN08	2018/11/19
DRAFT WHERE APPLICABLE MUST REMAIN WITHIN DIMENSIONS	THIRD ANGLE PROJECTION	DRAWING	SERIES
		C-SIZE	204823
		MATERIAL NUMBER	CUSTOMER
		SEE SHEET 2	
		DOCUMENT NUMBER	DOC TYPE   DOC PART   REVISION
		2048236206	PSD   ASY   E
		SHEET NUMBER	
		2 OF 7	

DOCUMENT STATUS	P1	RELEASE DATE	2020/10/21	03:34:25

# PCB LAYOUT FOR SINGLE SIDE MOUNT



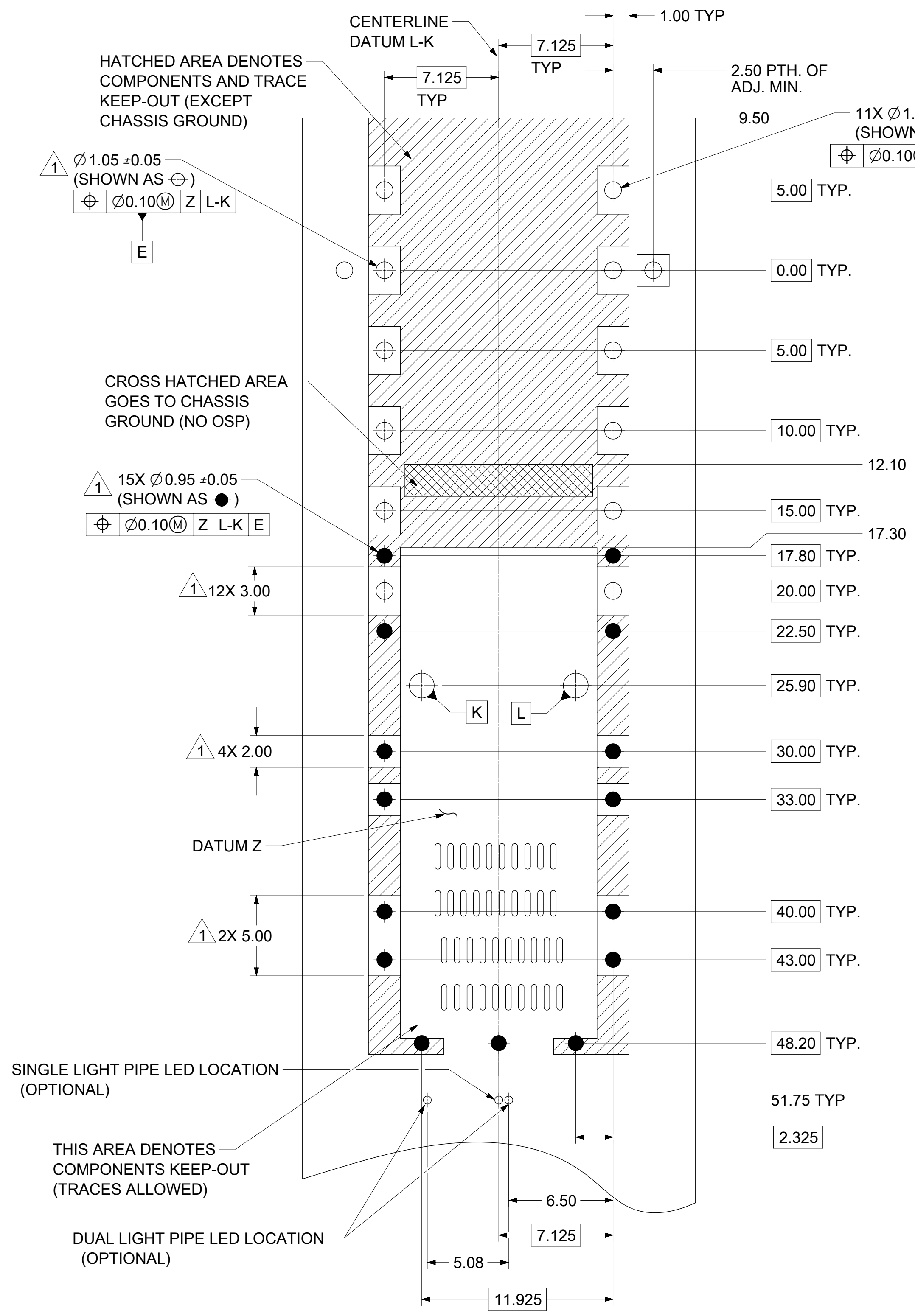
DETAIL A  
SCALE 5:1

- NOTES:
- 1 PADS AND VIAS CONNECT TO CHASSIS GROUND
  2. RECOMMENDED THRU HOLE PLATING INCLUDES HASL, OSP, OR IMMERSION (GOLD, SILVER, OR TIN).
  3. CONNECTOR PAD LAYOUT PER SFP-DD MSA WILL ACCOMMODATE MOLEX CONNECTOR SERIES 204730 OR EQUIVALENT.
  4. PCB THICKNESS FOR SINGLE SIDED USE 1.57MM±10%

THIS DRAWING CONTAINS INFORMATION THAT IS PROPRIETARY TO MOLEX ELECTRONIC TECHNOLOGIES, LLC AND SHOULD NOT BE USED WITHOUT WRITTEN PERMISSION									
DIMENSION UNITS: mm		SCALE: 4:1		CURRENT REV DESC: SEE REV TABLE					
GENERAL TOLERANCES (UNLESS SPECIFIED)				<p><b>molex</b></p> <p>SFP-DD 1X1 CAGE ASY, SPRING FINGER TYPE TRAPEZOID DEEP DRAWN W/ LIGHT PIPE AND HEATSINK OPTIONS</p> <p>PRODUCT CUSTOMER DRAWING</p> <p>DOCUMENT NUMBER: 2048236206   DOC TYPE: PSD   DOC PART: ASY   REVISION: E</p> <p>MATERIAL NUMBER: SEE SHEET 2   CUSTOMER:   SHEET NUMBER: 3 OF 7</p>					
ANGULAR TOL ± 2.0°		4 PLACES ±							
3 PLACES ±		2 PLACES ± 0.13							
1 PLACE ± 0.25		0 PLACES ±							
DRAFT WHERE APPLICABLE MUST REMAIN WITHIN DIMENSIONS		THIRD ANGLE PROJECTION							

DOCUMENT STATUS	P1	RELEASE DATE	2020/10/21	03:34:25
-----------------	----	--------------	------------	----------

# PCB LAYOUT FOR BELLY TO BELLY MOUNT



SEE SHEET 3 FOR HOST CONNECTOR POST DETAIL

**NOTES:**

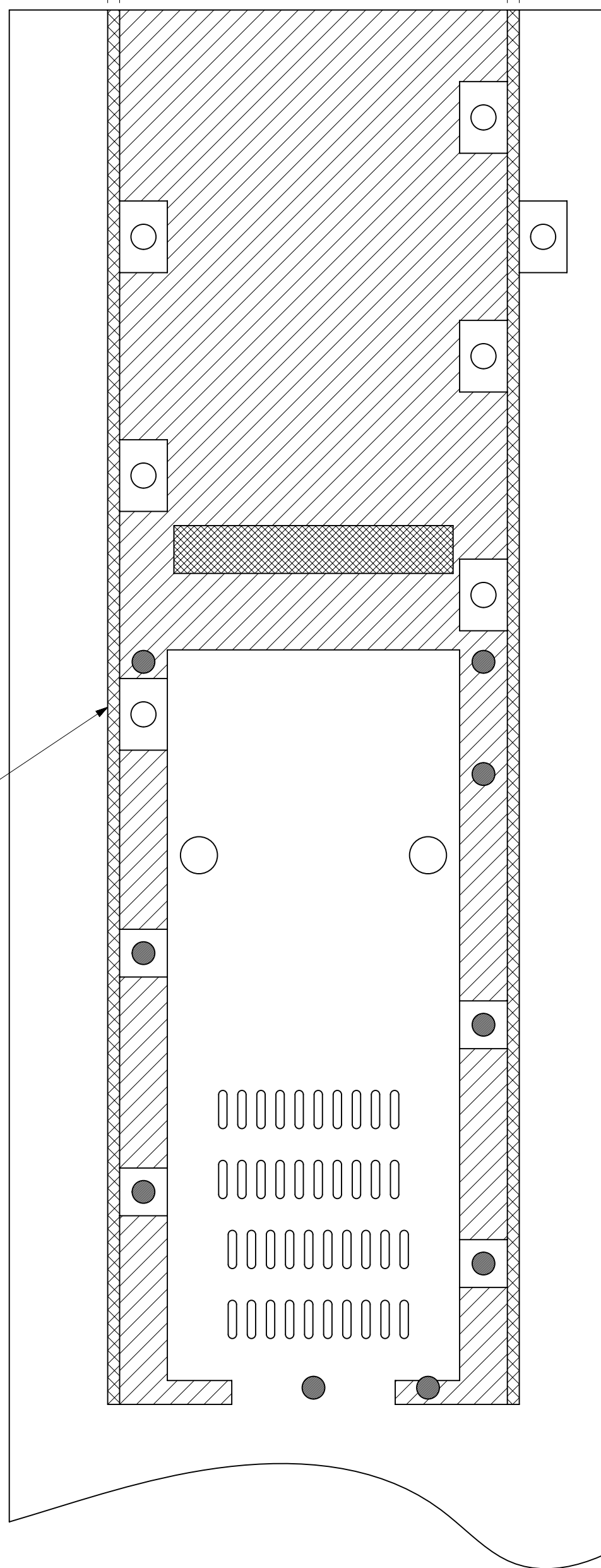
1. PADS AND VIAS CONNECT TO CHASSIS GROUND
2. RECOMMENDED THRU HOLE PLATING INCLUDES HASL, OSP, OR IMMERSION (GOLD, SILVER, OR TIN).
3. CONNECTOR PAD LAYOUT PER SFP-DD MSA WILL ACCOMMODATE MOLEX CONNECTOR SERIES 204730 OR EQUIVALENT.
4. MIN PCB THICKNESS FOR BELLY TO BELLY USE 2.55MM

THIS DRAWING CONTAINS INFORMATION THAT IS PROPRIETARY TO MOLEX ELECTRONIC TECHNOLOGIES, LLC AND SHOULD NOT BE USED WITHOUT WRITTEN PERMISSION									
DIMENSION UNITS		SCALE		CURRENT REV DESC: SEE REV TABLE					
mm		5:1		<b>molex</b> SFP-DD 1X1 CAGE ASY, SPRING FINGER TYPE TRAPEZOID DEEP DRAWN W/ LIGHT PIPE AND HEATSINK OPTIONS PRODUCT CUSTOMER DRAWING DOCUMENT NUMBER: 2048236206   DOC TYPE: PSD   DOC PART: ASY   REVISION: E MATERIAL NUMBER: SEE SHEET 2   CUSTOMER:   SHEET NUMBER: 4 OF 7					
GENERAL TOLERANCES (UNLESS SPECIFIED)									
ANGULAR TOL		± 2.0°							
4 PLACES		±							
3 PLACES		±							
2 PLACES		± 0.13		EC NO: 647405		2020/10/05			
1 PLACE		± 0.25		DRWN: TKUMARKC		2020/10/20			
0 PLACES		±		CHK'D: TKUMARKC		2020/10/21			
DRAFT WHERE APPLICABLE MUST REMAIN WITHIN DIMENSIONS				THIRD ANGLE PROJECTION		DRAWING		SERIES	
C-SIZE		204823		INITIAL REVISION:		2018/09/21			
APPR: RCHEN08		2018/11/19		DRWN: DSUN15		2018/09/21			

KEEP OUT AREA FOR INSERTION/EXTRACTION TOOL

0.50 MIN ← → 0.50 MIN

RECOMMENDED  
INSERTION/EXCTRACTION  
TOOL KEEP OUT AREA  
NO COMPONENTS  
IN THESE AREAS

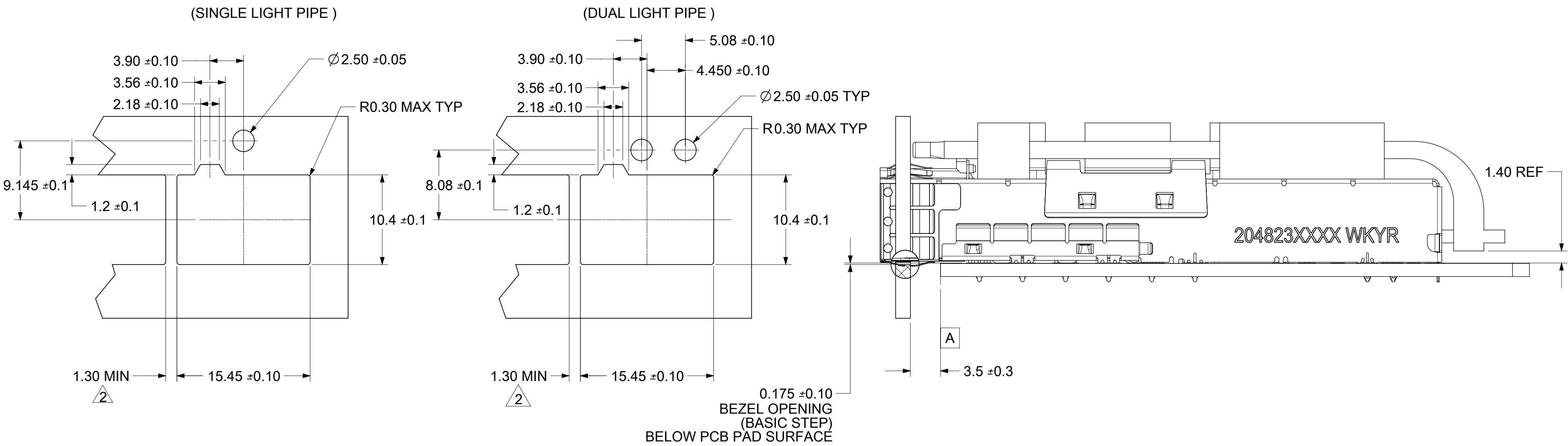


THIS DRAWING CONTAINS INFORMATION THAT IS PROPRIETARY TO MOLEX ELECTRONIC TECHNOLOGIES, LLC AND SHOULD NOT BE USED WITHOUT WRITTEN PERMISSION

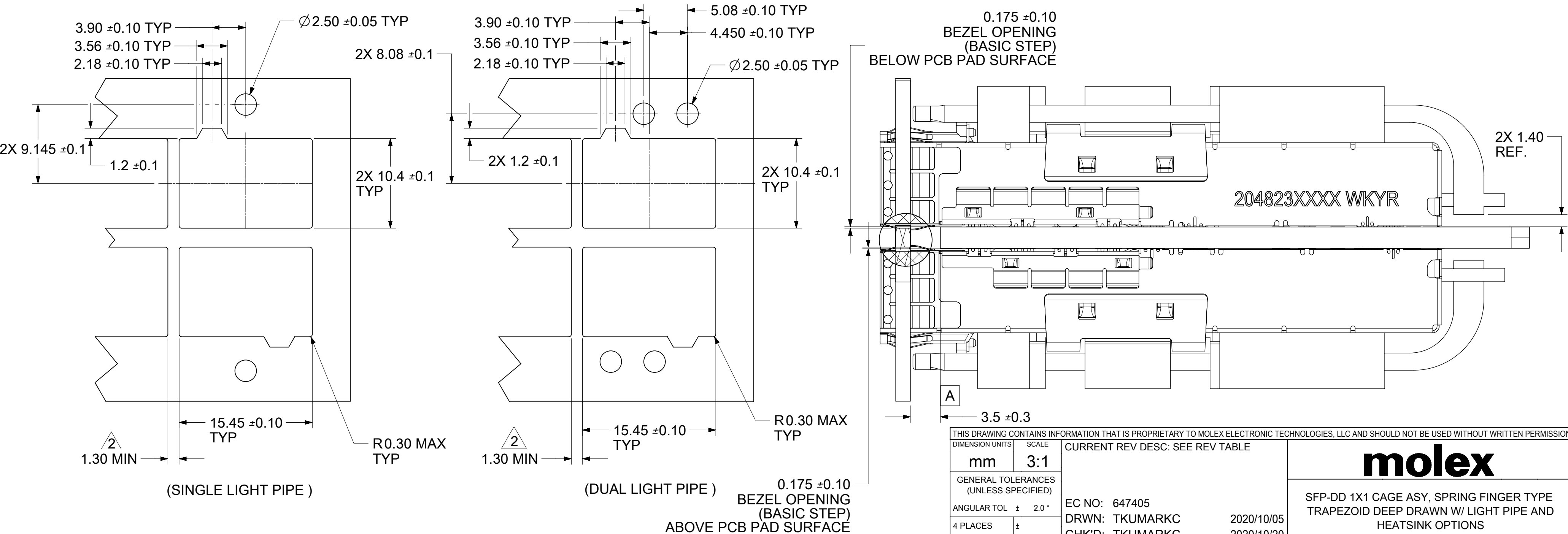
DIMENSION UNITS		SCALE		CURRENT REV DESC: SEE REV TABLE			
mm		5:1		<p><b>molex</b></p> <p>SFP-DD 1X1 CAGE ASY, SPRING FINGER TYPE TRAPEZOID DEEP DRAWN W/ LIGHT PIPE AND HEATSINK OPTIONS</p> <p>PRODUCT CUSTOMER DRAWING</p>			
GENERAL TOLERANCES (UNLESS SPECIFIED)							
ANGULAR TOL		± 2.0°		EC NO: 647405		2020/10/05	
4 PLACES		±		DRWN: TKUMARKC		2020/10/20	
3 PLACES		±		CHK'D: TKUMARKC		2020/10/21	
2 PLACES		± 0.13		APPR: JCHIANG		2020/10/21	
1 PLACE		± 0.25		INITIAL REVISION:			
0 PLACES		±		DRWN: DSUN15		2018/09/21	
				APPR: RCHEN08		2018/11/19	
DRAFT WHERE APPLICABLE MUST REMAIN WITHIN DIMENSIONS		THIRD ANGLE PROJECTION		DRAWING		SERIES	
				C-SIZE		204823	
DOCUMENT NUMBER		CUSTOMER		MATERIAL NUMBER		SHEET NUMBER	
2048236206				SEE SHEET 2		5 OF 7	
DOC TYPE		DOC PART		REVISION			
PSD		ASY		E			

DOCUMENT STATUS	P1	RELEASE DATE	2020/10/21	03:34:25
-----------------	----	--------------	------------	----------

# BEZEL AND BOARD POSITION DIMENSIONS FOR SINGLE SIDE MOUNTING



# BEZEL AND BOARD POSITION DIMENSIONS FOR BELLY TO BELLY MOUNTING



- PCB THICKNESS VARIATION MUST BE CONSIDERED WHEN DETERMINING BEZEL OPENING AND LOCATION
- THIS DIMENSION IS FOR REFERENCE ONLY. USER CAN MODIFY IT DEPENDS ON APPLICATION.  
(THIS DIMENSION VARIES BASED ON DISTANCE OF "HOLE OF ADJACENT CAGE" ON PCB LAYOUT)

THIS DRAWING CONTAINS INFORMATION THAT IS PROPRIETARY TO MOLEX ELECTRONIC TECHNOLOGIES, LLC AND SHOULD NOT BE USED WITHOUT WRITTEN PERMISSION									
DIMENSION UNITS		SCALE		CURRENT REV DESC: SEE REV TABLE					
mm		3:1							
GENERAL TOLERANCES (UNLESS SPECIFIED)									
ANGULAR TOL		± 2.0°		EC NO: 647405					
4 PLACES		±		DRWN: TKUMARKC		2020/10/05			
3 PLACES		±		CHK'D: TKUMARKC		2020/10/20			
2 PLACES		± 0.13		APPR: JCHIANG		2020/10/21			
1 PLACE		± 0.25		INITIAL REVISION:					
0 PLACES		±		DRWN: DSUN15		2018/09/21			
				APPR: RCHEN08		2018/11/19			
DRAFT WHERE APPLICABLE MUST REMAIN WITHIN DIMENSIONS				THIRD ANGLE PROJECTION		DRAWING		SERIES	
				C-SIZE		204823		MATERIAL NUMBER	
						SEE SHEET 2		CUSTOMER	
								SHEET NUMBER	
								6 OF 7	


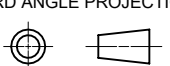
**molex**

SFP-DD 1X1 CAGE ASY, SPRING FINGER TYPE  
TRAPEZOID DEEP DRAWN W/ LIGHT PIPE AND  
HEATSINK OPTIONS

PRODUCT CUSTOMER DRAWING

DOCUMENT NUMBER	DOC TYPE	DOC PART	REVISION
2048236206	PSD	ASY	E

REV	DATE	DESCRIPTIONS
A	2018/11/13	INITIAL RELEASE
B	2018/11/19	CHANGED CAGE BASE TO CAGE RAISE BASE 0.2MM FOR ALL COMBINATIONS BASED ON PM REQUIREMENT SHEET 2: C10:CORRECTED TYPO FROM 13.1 TO 14.17MM
C	2018/11/29	SHEET 3: A10: CHANGED SINGLE SIDE PCB THICKNESS FROM MIN 1.57 TO 1.57MM+/-10% CHANGED 3D RAISE CAGE BASE (P/N: 2048222102) TO CAGE BASE (P/N: 2048222100) FOR 2048235005/2048235207 SHEET 2: F10/B11: ADDED RAISE CAGE BASE COLUMN FOR 2048234000/2048236100/2048236206/2048236006
C1	2019/01/28	SHEET 1: C02 : DATE CODE NOTE UPDATED WITH LASER MARKING OPTION. SHEET 2: D11 : CHANGED HEATSINK FROM CUSTOM TO SAN AND UPDATED THE VIEW. B09 : CHANGED DIM "B" FORM 21.4 TO 17.25. D07 : VIEW AND P/N TABLE IS ADDED FOR 2048235105. SHEET 5: ADDED A SHEET FOR "KEEP OUT AREA FOR INSERTION/EXTRACTION TOOL".
C2	2019/04/09	SHEET 1 : H12 : ADDED DETAIL E. D04 : UPDATED DIMENSION 72.42 REF TO 72.43 REF. SHEET 3: G11: DIA SYMBOL ADDED IN TOLERANCE ZONE E12: DIA SYMBOL ADDED IN TOLERANCE ZONE H8: DIA SYMBOL ADDED IN TOLERANCE ZONE E6: ADDED 'TYP' TEXT AT THE DIMENSION 22.00 E1: ADDED 'TYP' TEXT AT THE DIMENSION 31.60 H3: 12.25 DIMENSION REMOVED F6 : DIA 1.55 DIMENSION ADDED SHEET 4 : E11: DIA SYMBOL ADDED IN TOLERANCE ZONE G12: DIA SYMBOL ADDED IN TOLERANCE ZONE H6: DIA SYMBOL ADDED IN TOLERANCE ZONE
D	2019/07/29	SHEET 2 : G07 : ADDED ISO VIEW TO SHOW 2048234001 P/N
D1	2019/10/23	FOR BETTER VISIBILITY, THE LOCATION OF DATE CODE TEXT ON THE CAGE COVER ADJUSTED IN SHEET 1, SHEET 2 AND SHEET 6.
E	2020/10/20	SHEET 2: C05 : ADDED NEW PART NUMBER 2048236207 TO THE TABLE. C12 : ADDED NEW PART NUMBER 2048236007 TO THE TABLE.

THIS DRAWING CONTAINS INFORMATION THAT IS PROPRIETARY TO MOLEX ELECTRONIC TECHNOLOGIES, LLC AND SHOULD NOT BE USED WITHOUT WRITTEN PERMISSION									
DIMENSION UNITS	SCALE	CURRENT REV DESC: SEE REV TABLE							
mm	1:1								
GENERAL TOLERANCES (UNLESS SPECIFIED)		EC NO: 647405			SFP-DD 1X1 CAGE ASY, SPRING FINGER TYPE TRAPEZOID DEEP DRAWN W/ LIGHT PIPE AND HEATSINK OPTIONS				
ANGULAR TOL	± 2.0°	DRWN: TKUMARKC 2020/10/05							
4 PLACES	±	CHK'D: TKUMARKC 2020/10/20			PRODUCT CUSTOMER DRAWING				
3 PLACES	±	APPR: JCHIANG 2020/10/21							
2 PLACES	± 0.13	INITIAL REVISION:			DOCUMENT NUMBER: <b>2048236206</b> DOC TYPE: PSD    DOC PART: ASY    REVISION: E				
1 PLACE	± 0.25	DRWN: DSUN15 2018/09/21							
0 PLACES	±	APPR: RCHEN08 2018/11/19			MATERIAL NUMBER: SEE SHEET 2    CUSTOMER:    SHEET NUMBER: 7 OF 7				
DRAFT WHERE APPLICABLE MUST REMAIN WITHIN DIMENSIONS		THIRD ANGLE PROJECTION	DRAWING	SERIES					
			C-SIZE	204823					

DOCUMENT STATUS	P1	RELEASE DATE	2020/10/21 03:34:25
-----------------	----	--------------	---------------------