

4

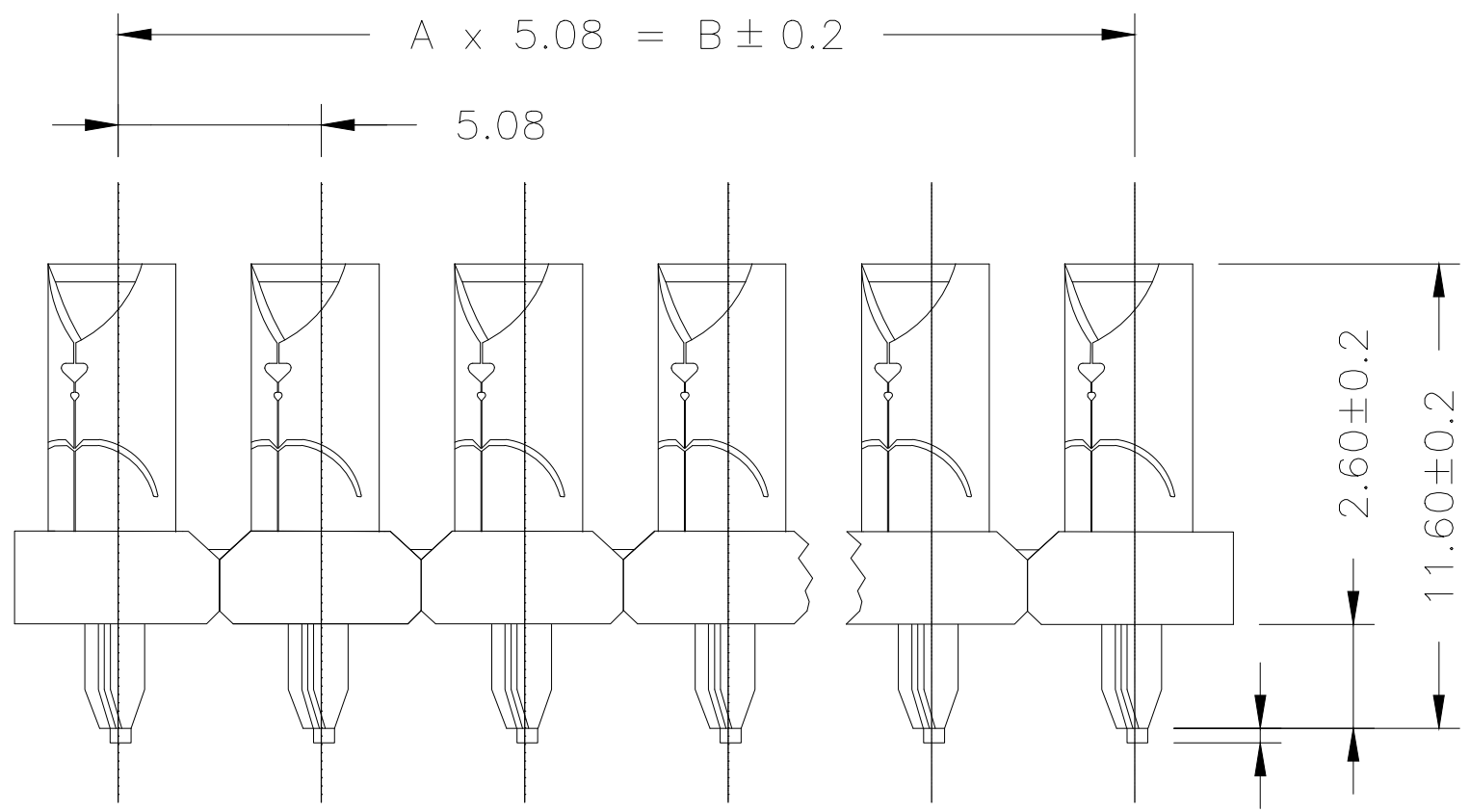
3

2

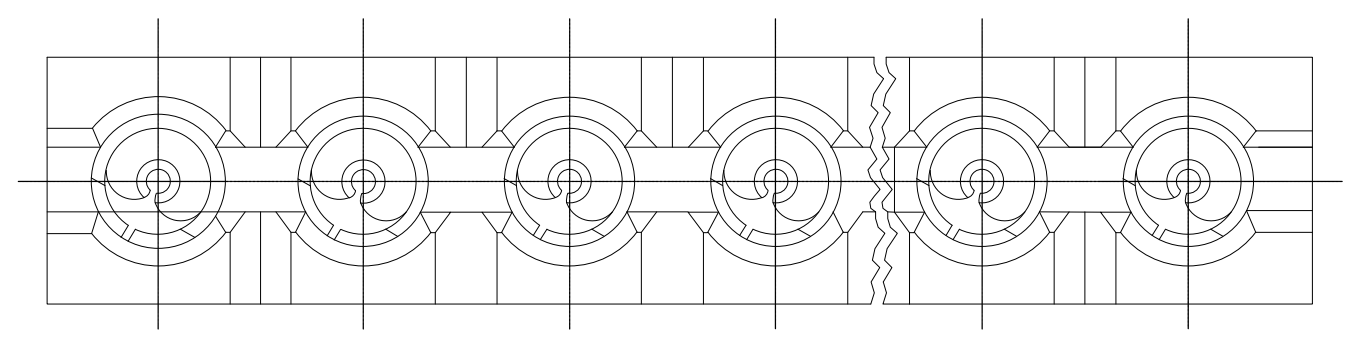
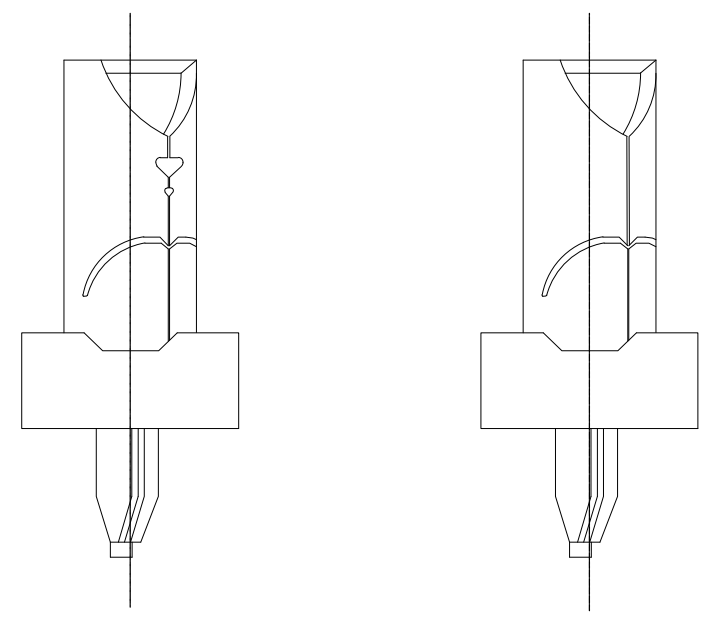
1

THIS DRAWING IS UNPUBLISHED. RELEASED FOR PUBLICATION JUL ,2010.
 © COPYRIGHT 2006 BY TYCO ELECTRONICS CORPORATION. ALL INTERNATIONAL RIGHTS RESERVED.

| LOC | DIST | REVISIONS | | | |
|-----|------|---------------------------|-----------|-----|------|
| P | LTR | DESCRIPTION | DATE | DWN | APVD |
| A1 | — | | | | |
| | A | INITIAL RELEASE | 28JUL2010 | PKS | TK |
| | A1 | REVISED PER ECR-18-000894 | 08FEB2018 | DT | TD |



827702-1 827702-2
 827702-3



OBSOLETE

| | | | |
|---------------------|----|--------|----------------------------|
| 827702-3 | 5 | 25.4 | 6 POS. BARREL STRIP ASS'Y |
| 827702-2 | 15 | 76.2 | 16 POS. BARREL STRIP ASS'Y |
| 827702-1 | | | |
| PART NO. | A | DIM. B | DESCRIPTION |

| | | | | |
|--|--|--------------------------------|--|--------------------|
| THIS DRAWING IS A CONTROLLED DOCUMENT. | | DWN SENTHIL 23JUL2010 | Tyco Electronics Corporation India Bangalore, India | |
| DIMENSIONS: mm | | CHK SENTHIL 26JUL2010 | | |
| TOLERANCES UNLESS OTHERWISE SPECIFIED: | | APVD T.KLENNER 28JUL2010 | NAME 6/16 POS. BARREL STRIP ASSY 16 POL. BARREL TRAEGERSTREIFEN, BESTUECKT | |
| 0 PLC ± - 1 PLC ± - 2 PLC ± 0.1 3 PLC ± - 4 PLC ± - ANGLES ± 2° | | PRODUCT SPEC 108-6025 | RESTRICTED TO | |
| MATERIAL | | APPLICATION SPEC 114-6000 | SIZE A3 | CAGE CODE 00779 |
| FINISH | | WEIGHT - | DRAWING NO C-827702 | SCALE 5:1 |
| CUSTOMER DRAWING | | | SHEET 1 OF 1 | REV A1 |